



# *Burquip*

*Red-Line*





# Contents

<b><i>Rubbaride™ Axles - Up to 2000kg</i></b>	<b><i>04</i></b>
Rubbaride Full Beam Axles with drum brakes	04

<b><i>Standard High Speed Axles - Up to 2500kg</i></b>	<b><i>05</i></b>
Standard High Speed Axles with brakes	05
Standard High Speed Axles without brakes	06

<b><i>Axle Spares</i></b>	<b><i>08</i></b>
Brake Spares	08
Brake Cables & Transmission Components	14
Hub - THUB4 (750kg)	15
Hub - Mini (750kg)	16
Hub - Reno (900kg)	17
Hub - HUB45 (1500kg)	18
Hub - HUB50RND - SN (1800kg)	19
Hub - HUB50SQ - LN (2500kg)	20
Brake Drum 160 (900kg)	21
Brake Drum 2051 (1500kg)	22
Brake Drum 2052 (1600kg)	23
Brake Drum 230 SN (1800kg)	24
Brake Drum 230 LN (2000kg?)	25
Grease Caps & Castle Nuts	26
Bearing Kits	27

<b><i>Braked Couplers</i></b>	<b><i>29</i></b>
-------------------------------	------------------

<b><i>Braked Coupler Spares</i></b>	<b><i>31</i></b>
Sigma Coupler Spares	31
Kober Coupler Spares	33

<b><i>Un-Braked Coupler</i></b>	<b><i>35</i></b>
---------------------------------	------------------

<b><i>Tow Balls, Pin Couplers &amp; Accessories</i></b>	<b><i>35</i></b>
---	------------------



# Contents

<b><i>Landing Gear</i></b>	<b>36</b>
Jockey Wheels	36
Parking Jacks	37
Landing Gear Spares	39
<b><i>Chassis &amp; Components</i></b>	<b>41</b>
<b><i>Contact Details</i></b>	<b>43</b>

## Notes

DT - Drill & Tap  
 C/W - "Comes With"  
 H/B - Hand Brake  
 H/D - Heavy Duty  
 H/H - Hub Face to Hub Face  
 L/D - Light Duty  
 L/N - Long Nose  
 OT - Old Type  
 RND - Round  
 SN - Short Nose  
 S&N - Studs & Nuts  
 SQ - Square



## Explore More Details!

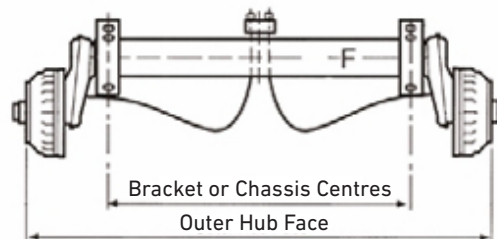
Simply click on the logo in the price list to access additional information about that specific product.



# Rubbaride Axles

## With Drum Brakes

Stock Code	Capacity	Stud Fixing	Brake Size	Brake Capacity	Price Each
<b>ARC0850-1A-09</b> <small>Alt Code: RAB/B850/2051</small>	850kg	Optional	200X50	850kg	R 11,495.00
<b>ARC1000-1A-09</b> <small>Alt Code: RAB/B1000/2051</small>	1500kg	Optional	200X50	1500kg	R 12,595.00
<b>ARC1000-1A-10</b> <small>Alt Code: RAB/B1000/2052</small>	1500kg	Optional	200X50	1500kg	R 12,595.00
<b>ARC1800-1A-11</b> <small>Alt Code: RABB/1800/2361</small>	1800kg	Optional	230X60	1800kg	R 14,275.00
<b>ARC1800-1A-12</b> <small>Alt Code: RABB1800/2361</small>	1800kg	Optional	230X60	1800kg	R 14,275.00
<b>ARC2000-1A-12</b> <small>Alt Code: RABB2000/2361</small>	2000kg	Optional	230X60	2000kg	R 15,795.00



When two axles are to be used in tandem, the order must state it.

Where two axles are used in tandem without a load sharing mechanism, the carrying capacity of the combination is reduced by 17%.

Price excludes brake cable.

Prices are exclusive of VAT and subject to change without prior notice. (E & OE Notice - pg43)

## Full Beam Axles

### With Brakes

Stock Code	Load Capacity	Hub/Drum	Beam	Brake	Brake Capacity	H/H	Price Each
<b>AFC45A.10.H/H</b> Alt Code:BA/45S/H/2052	1500kg	Optional	□ 45mm	200x50	1500kg	Up to 1500mm	R 6,190.00
<b>AFC45A.10.H/H</b> Alt Code:BA/45S/H/2052	1500kg	Optional	□ 45mm	200x50	1500kg	1501mm to 1675mm	R 6,295.00
<b>AFC45A.10.H/H</b> Alt Code:BA/45S/H/2052	1500kg	Optional	□ 45mm	200x50	1500kg	1676mm to 1965mm	R 6,610.00
<b>AFC45A.10.H/H</b> Alt Code:BA/45S/H/2052	1500kg	Optional	□ 45mm	200x50	1500kg	1966mm to 2200mm	R 6,715.00
<b>AFC45A.10.H/H</b> Alt Code:BA/45S/H/2052	1500kg	Optional	□ 45mm	200x50	1500kg	2201mm to 2360mm	R 6,820.00
<b>AFC50B.11.H/H</b> Alt Code:BA/50R/H/2361	1800kg	Optional	□ 50mm	230x60	1800kg	Up to 1600mm	R 9,340.00
<b>AFC50B.11.H/H</b> Alt Code:BA/50R/H/2361	1800kg	Optional	□ 50mm	230x60	1800kg	1601mm to 1940mm	R 9,340.00
<b>AFC50B.11.H/H</b> Alt Code:BA/50R/H/2361	1800kg	Optional	□ 50mm	230x60	1800kg	1941mm to 2100mm	R 9,865.00
<b>AFC50B.11.H/H</b> Alt Code:BA/50R/H/2361	1800kg	Optional	□ 50mm	230x60	1800kg	2101mm to 2320mm	R 10,075.00
<b>AFC50A.12.H/H</b> Alt Code:BA/50S/H/2361	2500kg	Optional	□ 50mm	230x60	2000kg	Up to 2300mm	R 9,865.00



When two axles are to be used in tandem, the order must state it.

Where two axles are used in tandem without a load sharing mechanism, the carrying capacity of the combination is reduced by 17%.

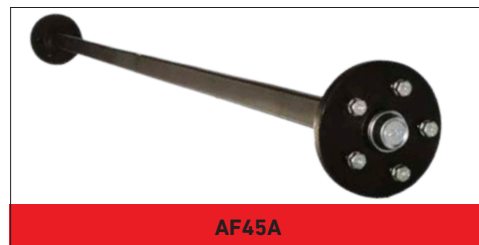
Prices are exclusive of VAT and subject to change without prior notice. (E & OE Notice - pg43)



# Full Beam Axles

## Without Brakes

Stock Code	Load Capacity	Hub	Beam	H/H	Price Each
<b>AF40A.01.H/H.01</b> <small>Alt Code:UBA/40R/H/TH04/4X100</small>	900kg	4/61/100	∅ 40mm	Up to 1500mm	R 2,020.00
<b>AF40A.01.H/H.01</b> <small>Alt Code:UBA/40R/H/TH04/4</small>	900kg	4/61/100	∅ 40mm	1501mm to 1675mm	R 2,075.00
<b>AF40A.01.H/H.01</b> <small>Alt Code:UBA/40R/H/TH04/4</small>	900kg	4/61/100	∅ 40mm	1676mm to 1965mm	R 2,200.00
<b>AF40A.01.H/H.01</b> <small>Alt Code:UBA/40R/H/TH04/4</small>	900kg	4/61/100	∅ 40mm	1966mm to 2200mm	R 2,430.00
<b>AF40A.01.H/H.01</b> <small>Alt Code:UBA/40R/H/TH04/4</small>	900kg	4/61/100	∅ 40mm	2201mm to 2360mm	R 2,495.00
<b>AF45A.06.H/H</b> <small>Alt Code:UBA455/H/HB45/PCD</small>	1500kg	Optional	□ 45mm	Up to 1420mm	R 2,965.00
<b>AF45A.06.H/H</b> <small>Alt Code:UBA455/H/HB45/PCD</small>	1500kg	Optional	□ 45mm	1421mm to 1450mm	R 3,145.00
<b>AF45A.06.H/H</b> <small>Alt Code:UBA455/H/HB50SN/PCD</small>	1500kg	Optional	□ 45mm	1451mm to 1575mm	R 3,145.00
<b>AF45A.06.H/H</b> <small>Alt Code:UBA455/H/HB50SN/PCD</small>	1500kg	Optional	□ 45mm	1576mm to 1805mm	R 3,145.00
<b>AF45A.06.H/H</b> <small>Alt Code:UBA455/H/HB50SN/PCD</small>	1500kg	Optional	□ 45mm	1806mm to 1850mm	R 3,280.00
<b>AF45A.06.H/H</b> <small>Alt Code:UBA455/H/HB50SN/PCD</small>	1500kg	Optional	□ 45mm	1851mm to 1940mm	R 3,280.00
<b>AF45A.06.H/H</b> <small>Alt Code:UBA455/H/HB50SN/PCD</small>	1500kg	Optional	□ 45mm	1941mm to 2040mm	R 3,490.00
<b>AF45A.06.H/H</b> <small>Alt Code:UBA455/H/HB50SN/PCD</small>	1500kg	Optional	□ 45mm	2041mm to 2100mm	R 3,490.00
<b>AF45A.06.H/H</b> <small>Alt Code:UBA455/H/HB50SN/PCD</small>	1500kg	Optional	□ 45mm	2101mm to 2200mm	R 3,565.00
<b>AF45A.06.H/H</b> <small>Alt Code:UBA455/H/HB50SN/PCD</small>	1500kg	Optional	□ 45mm	2201mm to 2240mm	R 3,595.00
<b>AF45A.06.H/H</b> <small>Alt Code:UBA455/H/HB50SN/PCD</small>	1500kg	Optional	□ 45mm	2241mm to 2350mm	R 3,775.00



When two axles are to be used in tandem, the order must state it.

Where two axles are used in tandem without a load sharing mechanism, the carrying capacity of the combination is reduced by 17%.

Prices are exclusive of VAT and subject to change without prior notice. (E & OE Notice - pg43)

## Full Beam Axles

### Without Brakes

Stock Code	Load Capacity	Hub	Beam	H/H	Price Each
<b>AF50B.06.H/H</b> Alt Code:UBA50R/H/50SN/PCD	1800kg	Optional	□ 50mm	Up to 1740mm	R 3,680.00
<b>AF50B.06.H/H</b> Alt Code:UBA50R/H/50SN/PCD	1800kg	Optional	□ 50mm	1741mm to 1800mm	R 3,780.00
<b>AF50B.06.H/H</b> Alt Code:UBA50R/H/50SN/PCD	1800kg	Optional	□ 50mm	1801mm to 1950mm	R 3,920.00
<b>AF50B.06.H/H</b> Alt Code:UBA50R/H/50SN/PCD	1800kg	Optional	□ 50mm	1951mm to 2050mm	R 3,920.00
<b>AF50B.06.H/H</b> Alt Code:UBA50R/H/50SN/PCD	1800kg	Optional	□ 50mm	2051mm to 2140mm	R 4,150.00
<b>AF50B.06.H/H</b> Alt Code:UBA50R/H/50SN/PCD	1800kg	Optional	□ 50mm	2141mm to 2400mm	R 4,640.00
<b>AF50A.07.H/H</b> Alt Code:UBA50S/H/HB50/PCD	2500kg	Optional	□ 50mm	Up to 1740mm	R 3,985.00
<b>AF50A.07.H/H</b> Alt Code:UBA50S/H/HB50/PCD	2500kg	Optional	□ 50mm	1741mm to 1800mm	R 4,015.00
<b>AF50A.07.H/H</b> Alt Code:UBA50S/H/HB50/PCD	2500kg	Optional	□ 50mm	1801mm to 1950mm	R 4,175.00
<b>AF50A.07.H/H</b> Alt Code:UBA50S/H/HB50/PCD	2500kg	Optional	□ 50mm	1951mm to 2050mm	R 4,385.00
<b>AF50A.07.H/H</b> Alt Code:UBA50S/H/HB50/PCD	2500kg	Optional	□ 50mm	2051mm to 2140mm	R 4,490.00
<b>AF50A.07.H/H</b> Alt Code:UBA50S/H/HB50/PCD	2500kg	Optional	□ 50mm	2141mm to 2400mm	R 4,650.00



When two axles are to be used in tandem, the order must state it.

Where two axles are used in tandem without a load sharing mechanism, the carrying capacity of the combination is reduced by 17%.

Prices are exclusive of VAT and subject to change without prior notice. (E & OE Notice - pg43)



# Brake Spares

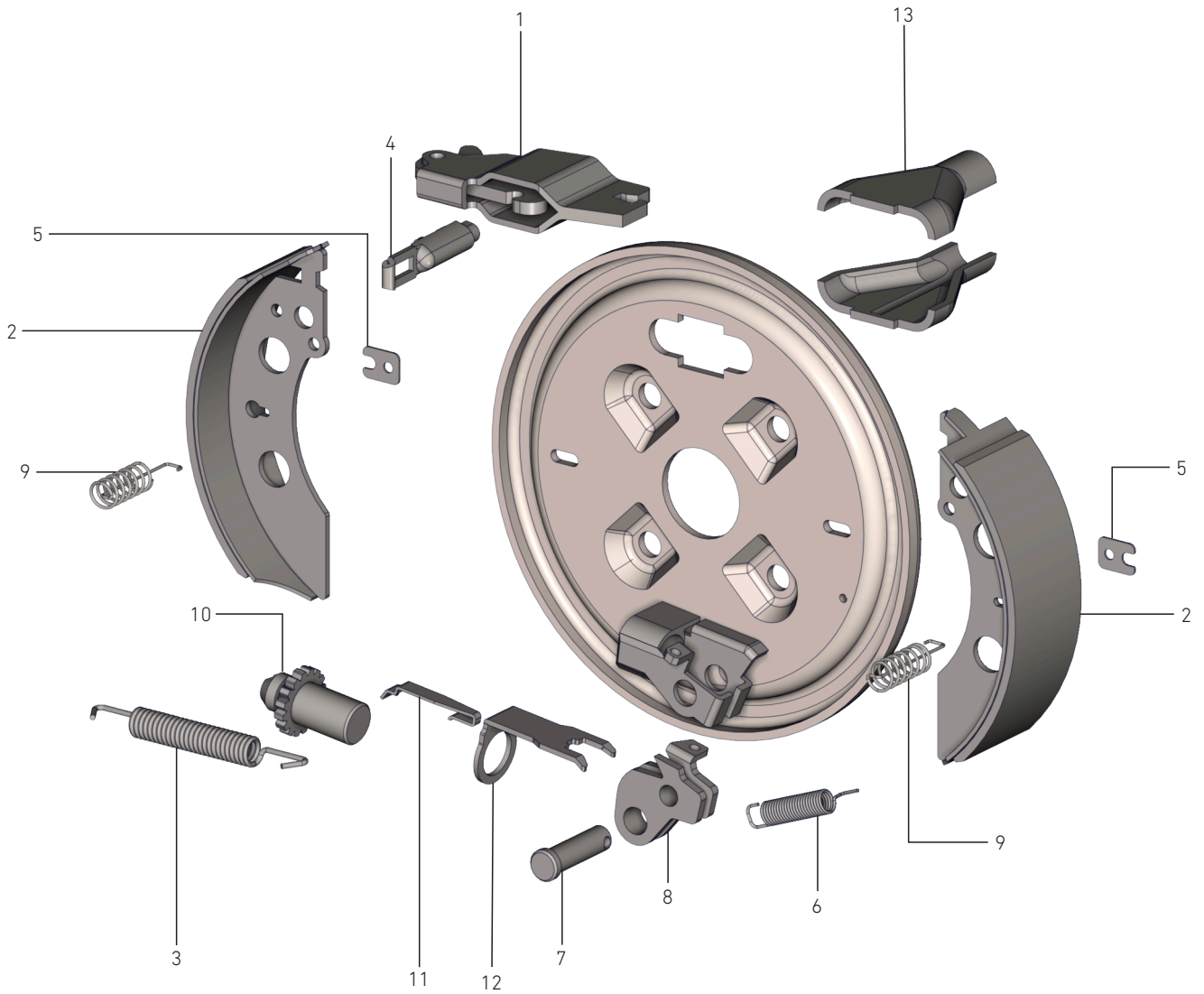
## Brake Assembly 160

Number	Stock Code	Description	Price Each
	<b>BALK160L</b> Alt Code: BASS1636	Brake Assembly 1636 Left	R 970.00
	<b>BALK160R</b> Alt Code: BASS1636	Brake Assembly 1636 Right	R 970.00
2, 3, 5, 6, 9	<b>BSALK160KIT01</b>	160mm Brake Shoe Set C/W Spring Kit AL-KO Original	R 1,170.00
2, 3, 5, 6, 9	<b>BSALK160KIT</b>	160mm Brake Shoe Set C/W Spring Kit AL-KO Generic	R 405.00
3, 5, 6, 9	<b>BSALK160.SKIT</b>	Brake Spring Kit (x1 Brake Shoe Spring, x1 Cam Spring L/R, x2 Pressure Springs), Pressure Spring Retaining Plate (2)	R 116.00
1	<b>BSALK160.02</b> Alt Code: 1348562	Expander 1637	R 32.50
2	<b>BSALK160.03</b> Alt Code: 1348037	Brake Shoe Bonded 1636	
3	<b>BSALK160.05</b> Alt Code: 1350255	Brake Shoe Spring 1637	
4	<b>BSALK200.16</b> Alt Code: 1348518	Expander Connector 2051 604262	R 38.00
5	<b>BSALK200.17</b> Alt Code: 1348039	Pressure Spring Retaining Plate (2)	
6	<b>BSALK160.14.01L</b> Alt Code: 1348738	Cam Spring 1637 LH	
6	<b>BSALK160.14.01R</b> Alt Code: 1358411	Cam Spring 1637 RH	
7	<b>BSALK200.14.02</b> Alt Code: 1348048	Cam Pin	R 4.85
8	<b>BSALK160.14.03L</b> Alt Code: 1348678	Cam Assembly Left 1637	R 25.00
8	<b>BSALK160.14.03R</b> Alt Code: 1348679	Cam Assembly Right 1637	R 25.00
10, 11, 12	<b>BSALK200.07</b> Alt Code: 1348038	Pressure Spring AL-KO 2088800003 (2)	
9	<b>BSALK160.25</b>	Adjustable Barrel & Retainer Spring 160	R 95.00
10	<b>BSALK200.25.01</b> Alt Code: 1348041	Adjustable/Jacking Bolt 21873708	
11	<b>BSALK200.25.02</b> Alt Code: 1348681	Barrel Retainer Spring Flat 2051/2361	
12	<b>BSALK160.25.03</b> Alt Code: 1350106	Barrel Retainer 160	
13	<b>BSCRPAK</b> Alt Code: 1348517	Brake Cable Retaining Plate AL-KO	R 165.00

### NOTES:

Refer to image on the next page.

Prices are exclusive of VAT and subject to change without prior notice. (E & OE Notice - pg43)



Prices are exclusive of VAT and subject to change without prior notice. (E & OE Notice - pg43)



# Brake Spares

## Brake Assembly 200

Number	Stock Code	Description	Price Each
	<b>BALK200L</b> Alt Code: BASS2051	Brake Assembly 2051 Left 622640	R 1,120.00
	<b>BALK200R</b> Alt Code: BASS2051	Brake Assembly 2051 Right 622640	R 1,120.00
2, 3, 5, 6, 9	<b>BSALK200KIT01</b>	200mm Brake Shoe Set C/W Spring Kit Original	R 1,250.00
2, 3, 5, 6, 9	<b>BSALK200KIT</b>	200mm Brake Shoe Set C/W Spring Kit Generic	R 436.00
3, 5, 6, 9	<b>BSALK200.SKIT</b>	Brake Spring Kit (x1 Brake Shoe Spring, x2 Pressure Spring Retaining Plates, x1 Cam Spring, x2 Pressure Springs)	R 116.00
1	<b>BSALK200.02</b> Alt Code: 1348563	Expander 2051/2361	R 116.00
2	<b>BSALK200.03</b> Alt Code: 1348070	Brake Shoe Bonded 200	
3	<b>BSALK200.05</b> Alt Code: 1348040	Brake Shoe Spring	
9	<b>BSALK200.07</b> Alt Code: 1348038	Pressure Spring AL-KO 2088800003 (2)	
6	<b>BSALK200.14.01</b> Alt Code: 1348073	Cam Spring 2050	
7	<b>BSALK200.14.02</b> Alt Code: 1348048	Cam Pin	R 4.85
8	<b>BSALK200.14.03L</b> Alt Code: 1348682	Cam Assembly Left 2051/2361	R 33.00
8	<b>BSALK200.14.03R</b> Alt Code: 1348683	Cam Assembly Right 2051/2361	R 33.00
4	<b>BSALK200.16</b> Alt Code: 1348518	Expander Connector 2051	R 38.00
5	<b>BSALK200.17</b> Alt Code: 1348039	Pressure Spring Retaining Plate (2)	
10, 11, 12	<b>BSALK200.25</b>	Adjustable Barrel & Retainer Spring 2051/2361	R 95.00
10	<b>BSALK200.25.01</b> Alt Code: 1348041	Adjustable Barrel/Jacking Bolt	
11	<b>BSALK200.25.02</b> Alt Code: 1348681	Barrel Retainer Spring Flat 2051/2361	
12	<b>BSALK200.25.03</b> Alt Code: 1350106	Barrel Retainer 2051/2361	
13	<b>BSCRPAK</b> Alt Code: 1348517	Brake Cable Retaining Plate AL-KO	R 165.00

### NOTES:

Refer to image on the next page.

Prices are exclusive of VAT and subject to change without prior notice. (E & OE Notice - pg43)





# Brake Spares

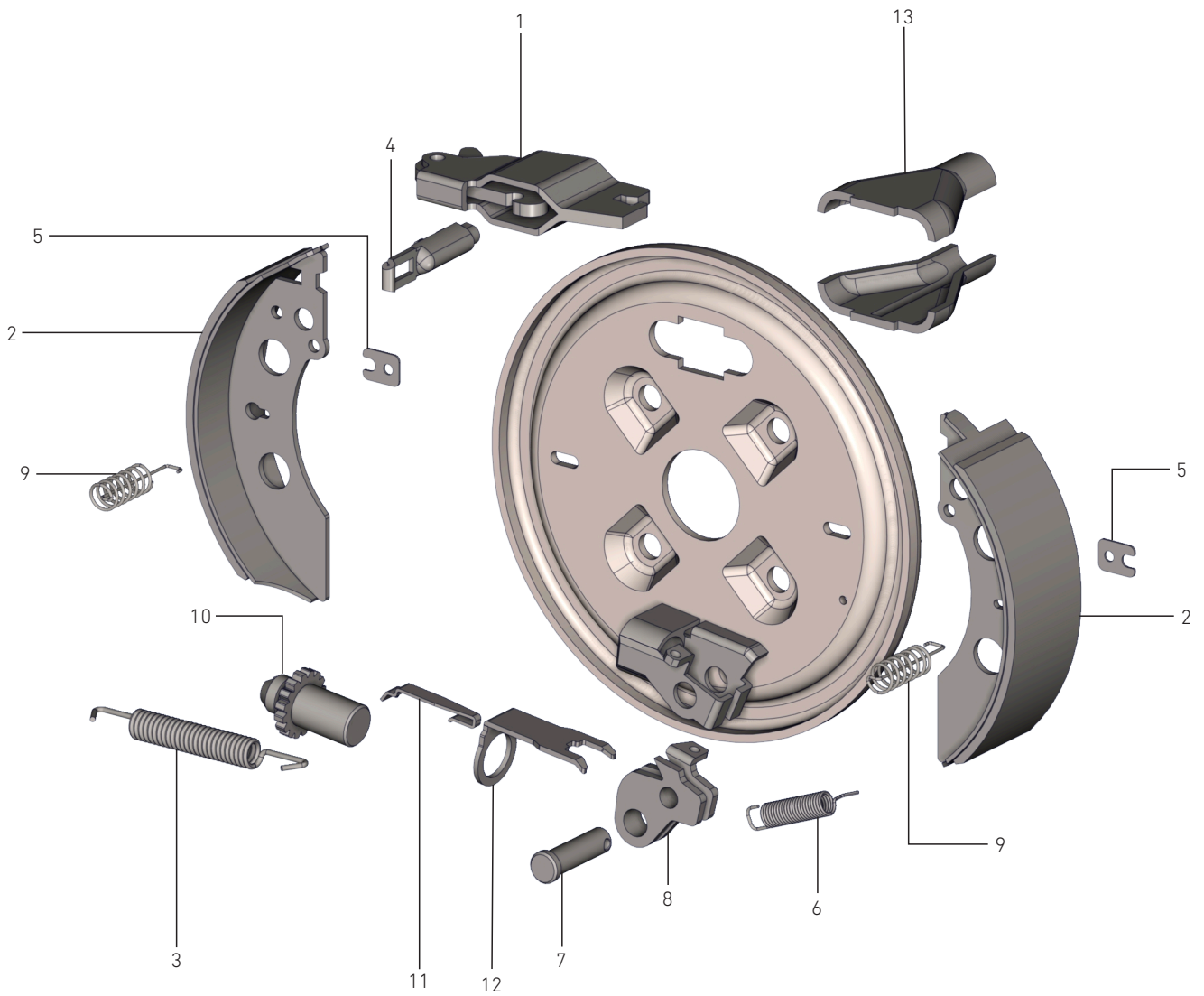
## Brake Assembly 230

Number	Stock Code	Description	Price Each
	<b>BALK230L</b> Alt Code: BASS2361	Brake Assembly 2361 Left	R 1,610.00
	<b>BALK230R</b> Alt Code: BASS2361	Brake Assembly 2361 Right	R 1,610.00
2, 3, 5, 6, 9	<b>BSALK230KIT01</b>	230mm Brake Shoe Set C/W Spring Kit Original	R 2,495.00
2, 3, 5, 6, 9	<b>BSALK230KIT</b>	230mm Brake Shoe Set C/W Spring Kit Generic	R 730.00
3, 5, 6, 9	<b>BSALK200.SKIT</b>	Brake Spring Kit (x1 Brake Shoe Spring, x2 Pressure Spring Retaining Plates, x1 Cam Spring, x2 Pressure Springs)	R 116.00
1	<b>BSALK200.02</b> Alt Code: 1348563	Expander	R 116.00
2	<b>BSALK230.03</b> Alt Code: 1348091	Brake Shoe Bonded 2360	
3	<b>BSALK200.05</b> Alt Code: 1348205	Brake Shoe Spring	
9	<b>BSALK200.07</b> Alt Code: 1348038	Pressure Spring AL-KO 2088800003 (2)	
6	<b>BSALK200.14.01</b> Alt Code: 1348073	Cam Spring	
7	<b>BSALK200.14.02</b> Alt Code: 1348048	Cam Pin	R 4.85
8	<b>BSALK200.14.03L</b> Alt Code: 1348682	Cam Assembly Left	R 33.00
8	<b>BSALK200.14.03R</b> Alt Code: 1348682	Cam Assembly Right	R 33.00
4	<b>BSALK200.16</b> Alt Code: 1348518	Expander Connector	R 38.00
10, 11, 12	<b>BSALK200.17</b> Alt Code: 1348039	Pressure Spring Retaining Plate (2)	
	<b>BSALK200.25</b>	Adjustable Barrel & Retainer Spring	R 95.00
10	<b>BSALK200.25.01</b> Alt Code: 1348041	Adjustable Barrel/Jacking Bolt	
11	<b>BSALK200.25.02</b> Alt Code: 1348681	Barrel Retainer Spring Flat	
12	<b>BSALK200.25.03</b> Alt Code: 1350106	Barrel Retainer	
13	<b>BSCRPAK</b> Alt Code: 1348517	Brake Cable Retaining Plate AL-KO	R 165.00

### NOTES:

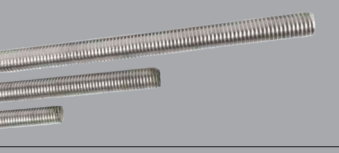
Refer to image on the next page.

Prices are exclusive of VAT and subject to change without prior notice. (E & OE Notice - pg43)



Prices are exclusive of VAT and subject to change without prior notice. (E & OE Notice - pg43)

## Brake Cables & Transmission Components

Image	Stock Code	Description	Price
	<b>BCALK1120</b> Alt Code: 1358392	Bowden Cable 1120mm Bell ID:23.5	R 225,00
	<b>BCALK1350</b> Alt Code: 1358394	Bowden Cable 1350mm Bell ID:23.5	R 225,00
	<b>BCALK1530</b> Alt Code: 299713	Bowden Cable 1530mm Bell ID:23.5	R 225,00
	<b>BCALK1650</b> Alt Code: 1358396	Bowden Cable 1650mm Bell ID:23.5	R 225,00
	<b>M10RB.1700</b> Alt Code: 1348236	M10 Brake Rod 1700mm	R 73,00
	<b>M10RB.2000</b> Alt Code: 1348240	M10 Brake Rod 2000mm	R 108,00
	<b>M10RB.2500</b> Alt Code: 1348242	M10 Brake Rod 2500mm	R 113,00
	<b>M10RB.3000</b> Alt Code: 1348244	M10 Brake Rod 3000mm	R 157,00
	<b>M10RB.3400</b> Alt Code: 1348246	M10 Brake Rod 3400mm	R 205,00
	<b>M10RB.3800</b> Alt Code: 1348238	M10 Brake Rod 3800mm	R 235,00
	<b>M10BRS</b> Alt Code: BRAKERODSLEEVE10	M10 Brake Rod Sleeve	R 29,00
	<b>BC01</b> Alt Code: 1348033	Equaliser Bracket Tandem	R 221,00
	<b>BC02</b> Alt Code: 1348032	Compensator Single	R 90,00

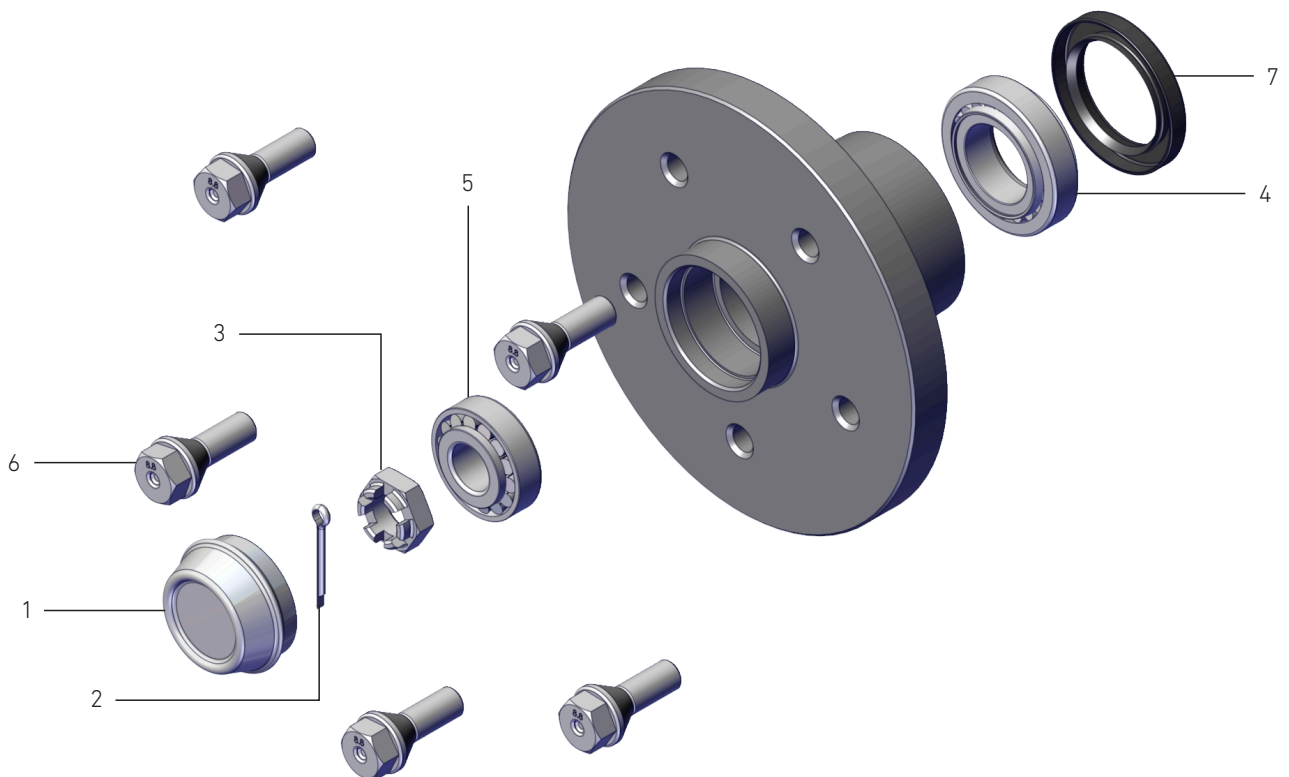
Prices are exclusive of VAT and subject to change without prior notice. (E & OE Notice - pg43)



# Hubs - THUB4

## 750kg Unbraked Axles Bearing Kit 07

Number	Stock Code	Hub Code	Description	Price Each
	<b>HUALK0450.01C</b> Alt Code: THUB4X100_BF	<b>01</b>	Complete Hub 4/100 pcd only DT, hub excludes spindle	R 435,00
	<b>HUALK0450.02C</b> Alt Code: THUB5X114_BF	<b>02</b>	Complete Hub 5/114 pcd only DT, hub excludes spindle	R 455,00
1	<b>GCAP48.1T</b> Alt Code: GCAP48		Grease Cap 48mm	
2	<b>M4X40SP</b> Alt Code: 1348022		M3,2mm Split Pin	
3	<b>M16CN</b> Alt Code: 1348021		M16 Castle Nut M16x1,5	
4	<b>B45449\10</b> Alt Code: 1248002		Inner Bearing 45449\10	
5	<b>B11749\10</b> Alt Code: 1248002		Outer Bearing 11749\10	
6	<b>M12WB24</b> Alt Code: 1348016		M12 Wheel Bolt 1,5mm	
7	<b>OS38-52-7</b> Alt Code: 1248002		Oil Seal 38x52x7	



Prices are exclusive of VAT and subject to change without prior notice. (E & OE Notice - pg43)

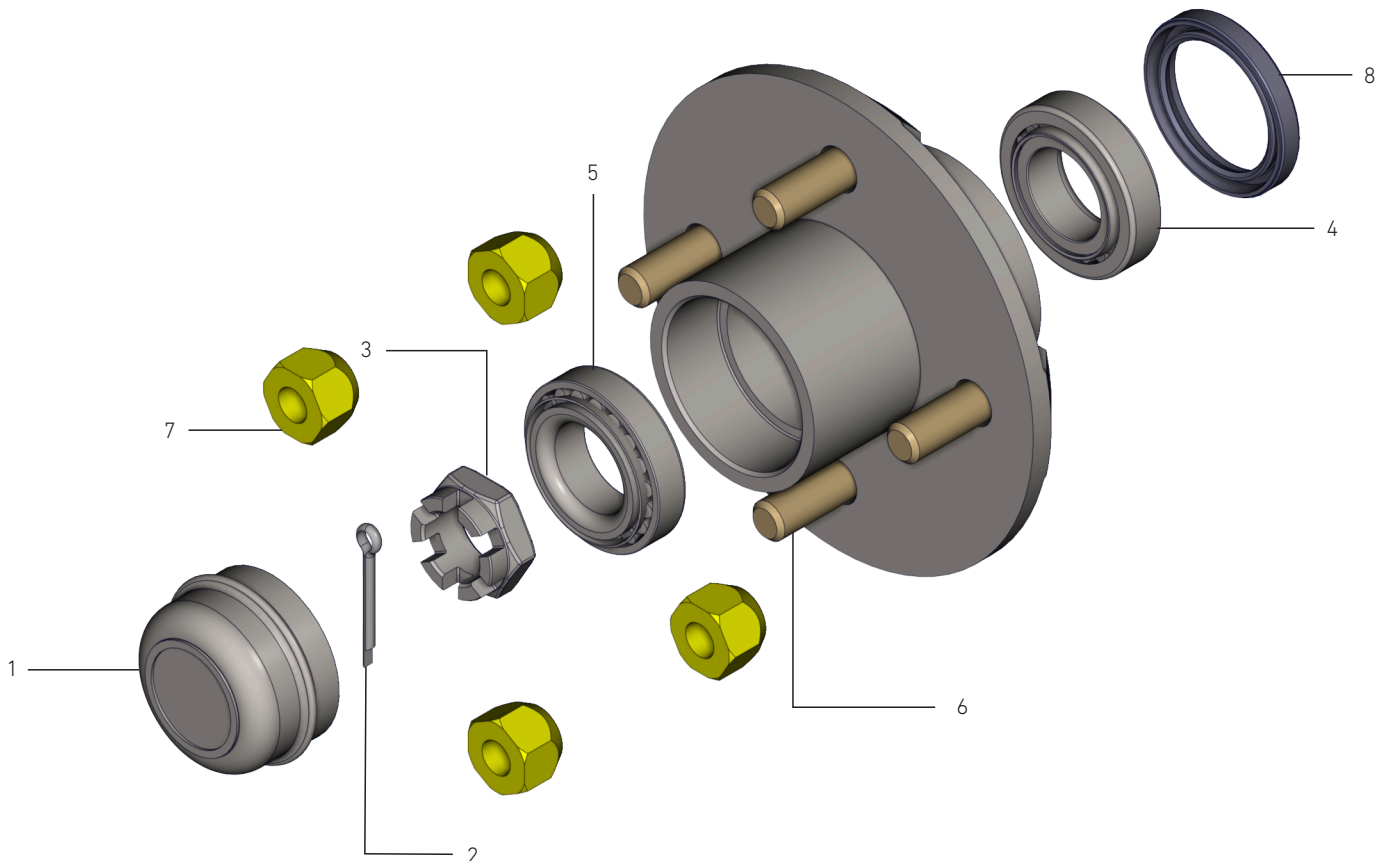


## Hub - Mini

### 750kg Unbraked Axles

### Bearing Kit 06

Number	Stock Code	Hub Code	Description	Price Each
	<b>HUR0450.01SC</b> Alt Code: HUB/MINI/BN5330	<b>03</b>	Complete Hub 4/100 pcd only S&N, hub excludes spindle	R 560.00
1	<b>GCAP50.1T</b> Alt Code: GCAP50		Grease Cap 50.1mm	
2	<b>M4X40SP</b> Alt Code: 1348022		M4mm Split Pin	
3	<b>M22X1.5CN</b> Alt Code: 1350035		M22 Castle Nut M22	
4	<b>B44649\10</b> Alt Code: Bearing44649/10		Inner Bearing 44649/10	
5	<b>B44649\10</b> Alt Code: Bearing44649/10		Outer Bearing 44649/10	
6	<b>M12WS</b> Alt Code: WHEELSTUDM12		M12 Wheel Stud 1,5mm	
7	<b>M12WN</b> Alt Code: 1348079		M12 Wheel Nut 1,5mm	
8	<b>OS38-52-7</b> Alt Code: 1348094		Oil Seal 38x52x7	



Prices are exclusive of VAT and subject to change without prior notice. (E & OE Notice - pg43)

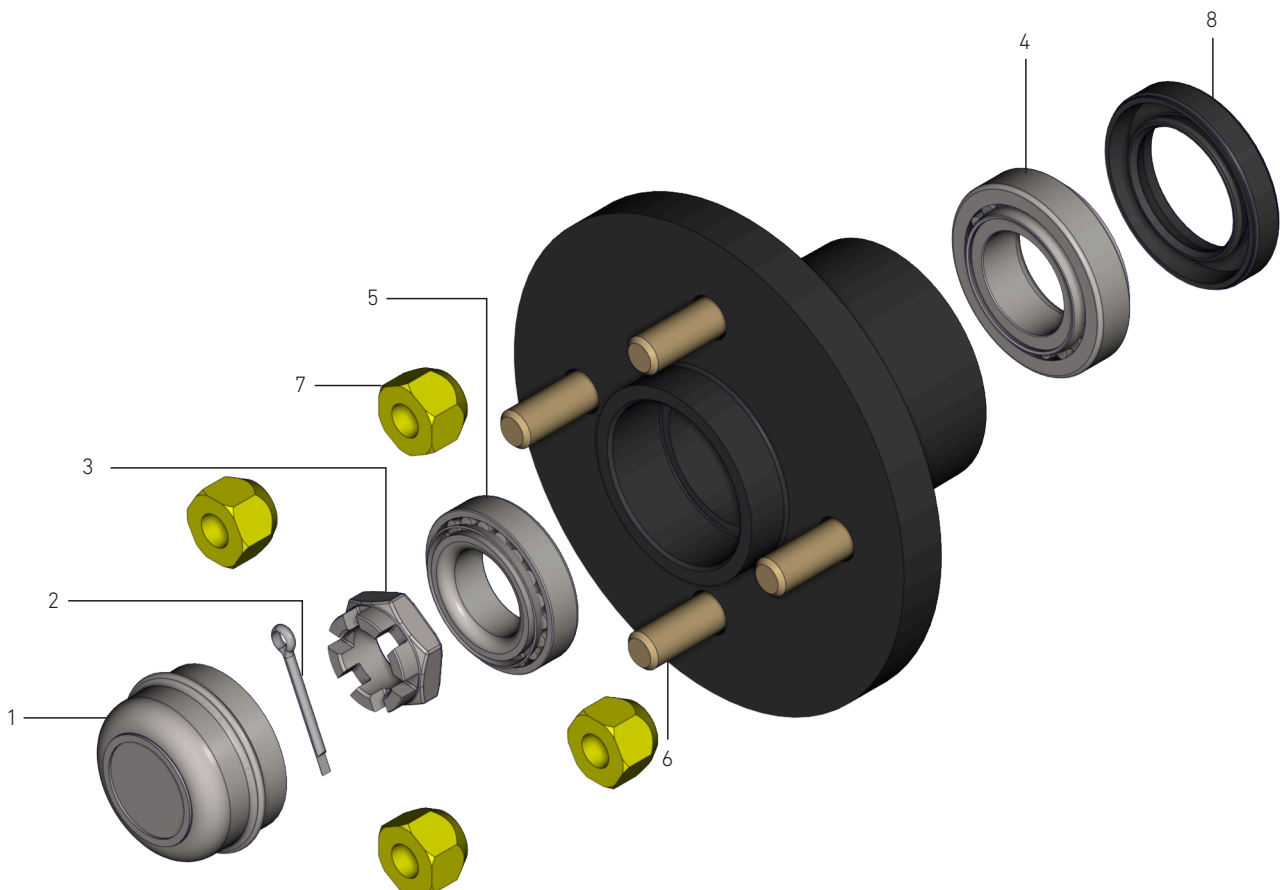


# Hubs - Reno

## 900kg Unbraked Axles

### Bearing Kit 05

Number	Stock Code	Hub Code	Description	Price Each
	<b>HUREN0450.01SC</b> Alt Code: HUB/RENO/BN5331	<b>04</b>	Complete Hub 4/100 pcd S&N, hub excludes spindle	R 780.00
	<b>HUREN0450.02SC</b> Alt Code: HUB/RENO/BN5331	<b>04</b>	Complete Hub 5/114 pcd S&N hub excludes spindle	R 780.00
1	<b>GCAP50.1T</b> Alt Code: GCAP50		Grease Cap 50.1mm	
2	<b>M4X40SP</b> Alt Code: 1348022		M4mm Split Pin	
3	<b>M22X1.5CN</b> Alt Code: 1350035		M22 Castle Nut M22x1,5	
4	<b>B67048\10</b> Alt Code: BEARING67048/10		Inner Bearing 67048/10	
5	<b>B44649\10</b> Alt Code: Bearing44649/10		Outer Bearing 44649/10	
6	<b>M12WS</b> Alt Code: WHEELSTUDM12		M12 Wheel Stud 1,5mm	
7	<b>M12WN</b> Alt Code: 1348079		M12 Wheel Nut 1,5mm	
8	<b>OS40-60-10</b> Alt Code: 1350033		Oil Seal 38x60x10	



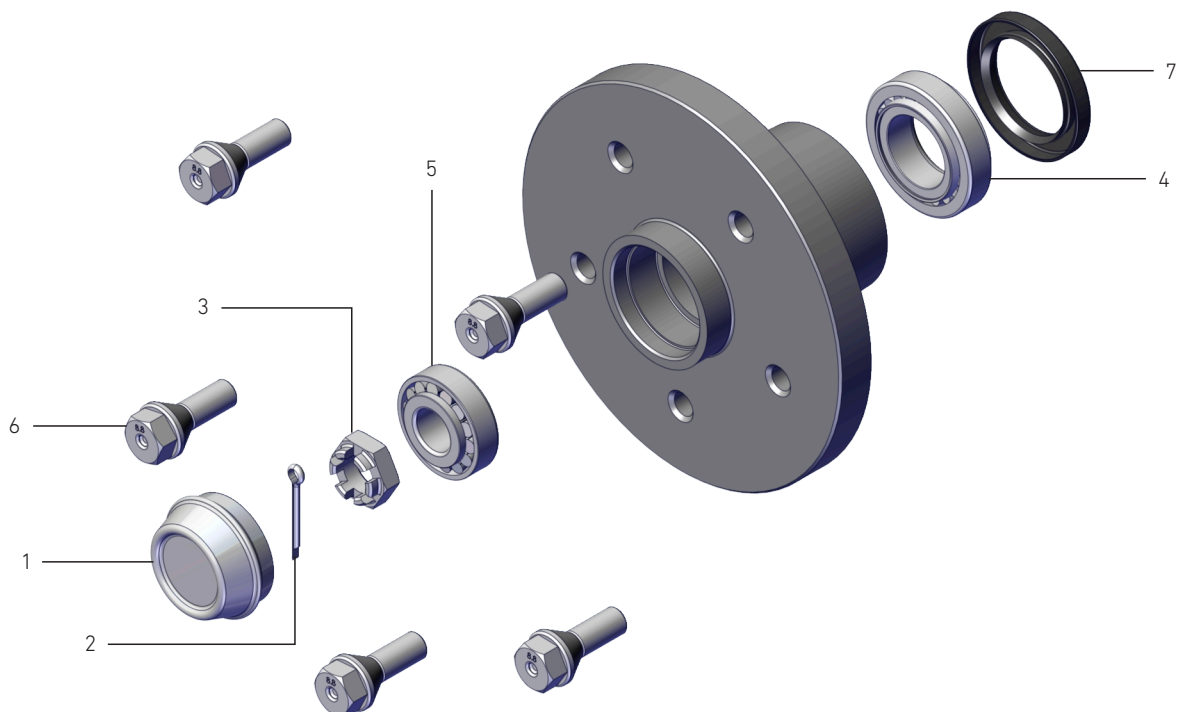
Prices are exclusive of VAT and subject to change without prior notice. (E & OE Notice - pg43)

# Hubs - HUB45

## 1500kg Unbraked Axles

### Bearing Kit 08

Number	Stock Code	Hub Code	Description	Price Each
	<b>HUALK0750.01C</b> Alt Code: HUB45/DT	<b>05</b>	Complete Hub 4/100 pcd DT, hub excludes spindle	R 720,00
	<b>HUALK0750.02C</b> Alt Code: HUB45/DT	<b>05</b>	Complete Hub 5/114 pcd DT, hub excludes spindle	R 730,00
	<b>HUALK0750.04C</b> Alt Code: HUB45/DT	<b>05</b>	Complete Hub 6/140 pcd DT, hub excludes spindle	R 740,00
	<b>HUALK0750.02SC</b> Alt Code: HUB45/PS	<b>05</b>	Complete Hub 5/114 pcd S&N, hub excludes spindle	R 730,00
	<b>HUALK0750.04SC</b> Alt Code: HUB45/PS_6X140	<b>05</b>	Complete Hub 6/140 pcd S&N, hub excludes spindle	R 740,00
1	<b>GCAP48.1T</b> Alt Code: GCAP48		Grease Cap 48mm	
2	<b>M4X40SP</b> Alt Code: 1348022		M3,2mm Split Pin	
3	<b>M18CN</b> Alt Code: 1348065		M18 Castle Nut M18x1,5	
4	<b>B67048/10</b> Alt Code: BEARING67048/10		Inner Bearing 67048/10	
5	<b>B11949/10</b> Alt Code: 1348064		Outer Bearing 11949/10	
6	<b>M12WB24</b> Alt Code: 1348016		M12 Wheel Bolt 1,5mm	
	<b>M12WS</b> Alt Code: WHEELSTUDM12		M12 Wheel Stud 1.5mm	
	<b>M12WN</b> Alt Code: 1348079		M12 Wheel Nut 1.5mm	
7	<b>OS42-62-7</b> Alt Code: Os4262		Oil Seal 42x62x7	



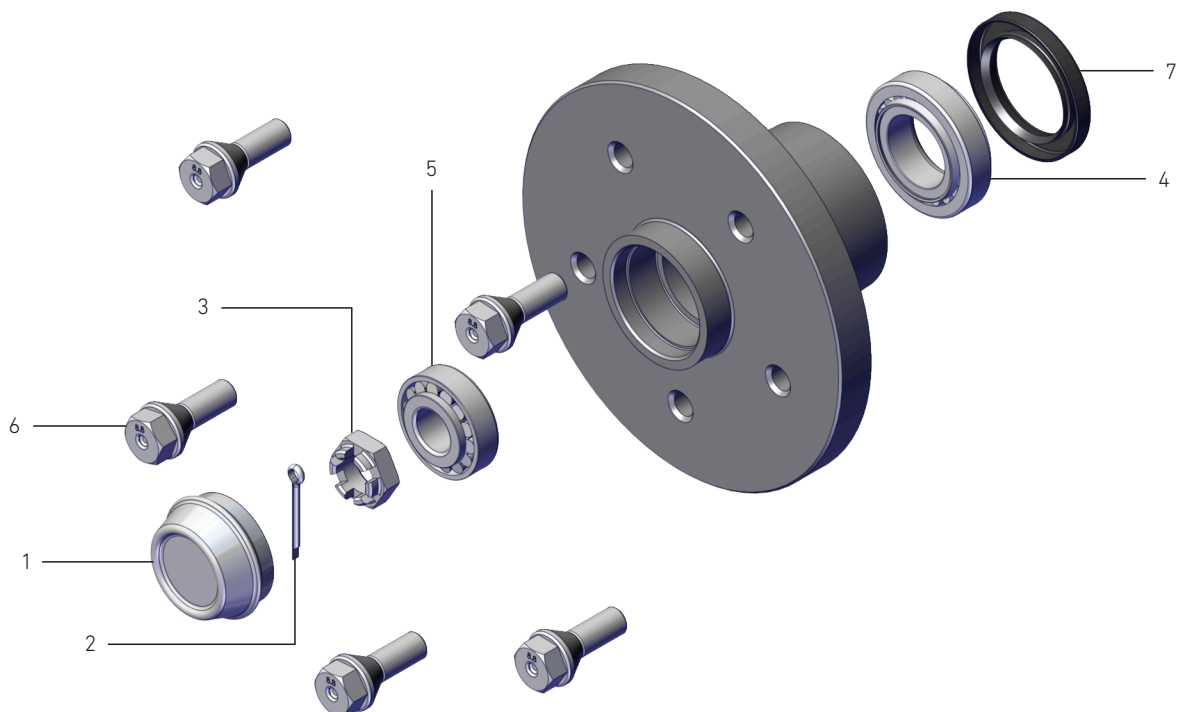
Prices are exclusive of VAT and subject to change without prior notice. (E & OE Notice - pg43)

## Hubs - HUB50 RND - SN

1800kg Unbraked Axles

Bearing Kit 09

Number	Stock Code	Hub Code	Description	Price Each
	<b>HUALK1000.06.01C</b> Alt Code: HUB50RND/SN/DT	<b>06</b>	Complete Hub 4/100 pcd DT, hub excludes spindle	R 910.00
	<b>HUALK1000.06.02C</b> Alt Code: HUB50RND/SN/DT_5X114	<b>06</b>	Complete Hub 5/114 pcd DT, hub excludes spindle	R 910.00
	<b>HUALK1000.06.04C</b> Alt Code: HUB50RND/SN/DT	<b>06</b>	Complete Hub 6/140 pcd DT, hub excludes spindle	R 930.00
	<b>HUALK1000.06.02SC</b> Alt Code: HUB50RND/SN/PS	<b>06</b>	Complete Hub 5/114 pcd S&N, hub excludes spindle	R 910.00
	<b>HUALK1000.06.04SC</b> Alt Code: HUB50RND/SN/PS_6X140	<b>06</b>	Complete Hub 6/140 pcd S&N, hub excludes spindle	R 930.00
1	<b>GCAP48.1T</b> Alt Code: GCAP48		Grease Cap 48mm	
2	<b>M4x40SP</b> Alt Code: 1348022		M4mm Split Pin	
3	<b>M24X2.0CN</b> Alt Code: 1348092		M24 Castle Nut M24x2.0 (M18CN Pre-2025)	
4	<b>B32007</b> Alt Code: BEARING32007		Inner Bearing 32007	
5	<b>B32005</b> Alt Code: BEARING32005		Outer Bearing 32005	
6	<b>M12WB24</b> Alt Code: 1348016		M12 Wheel Bolt 1,5mm	
	<b>M12WS</b> Alt Code: WHEELSTUDM12		M12 Wheel Stud 1,5mm	
	<b>M12WN</b> Alt Code: 1348079		M12 Wheel Nut 1,5mm	
7	<b>OS42-62-7</b> Alt Code: Os4262		Oil Seal 42x62x7	



Prices are exclusive of VAT and subject to change without prior notice. (E & OE Notice - pg43)

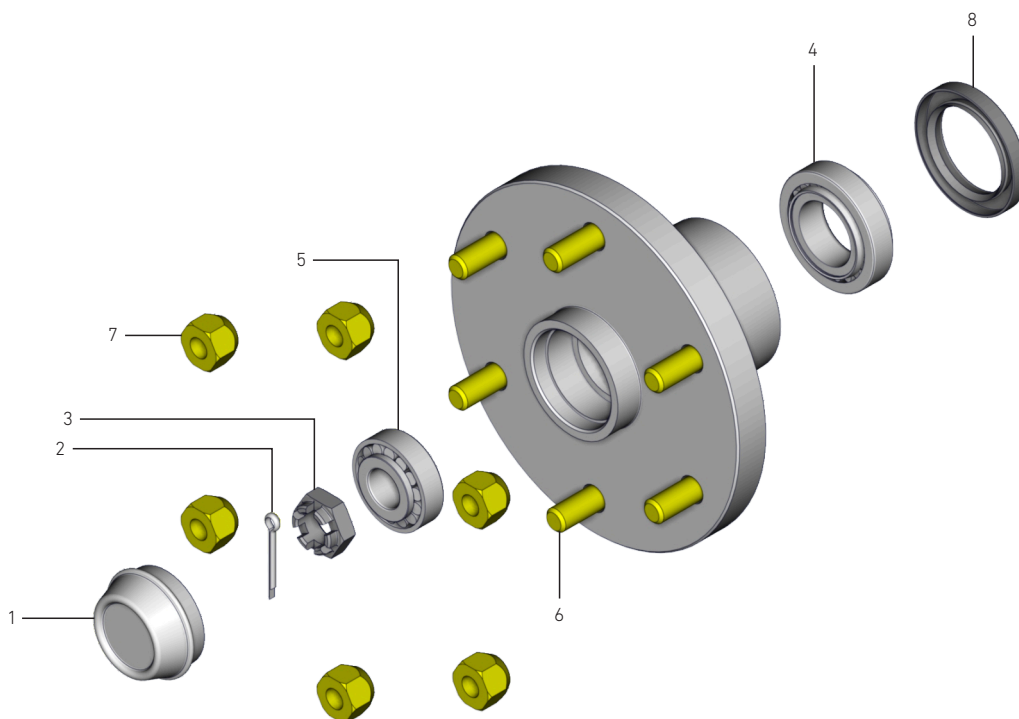


## Hubs - HUB50 SQ - LN

2500kg Unbraked Axles

Bearing Kit 10

Number	Stock Code	Hub Code	Description	Price Each
	<b>HUALK1000.07.02C</b> Alt Code: HUB50SQ/LN/DT_5X114	<b>07</b>	Complete Hub 5/114 pcd DT, 2500kg unbraked axles	R 1,035.00
	<b>HUALK1000.07.02SC</b> Alt Code: HUB50SQ/LN/PS_5X114	<b>07</b>	Complete Hub 5/114 pcd S&N, 2500kg unbraked axles	R 1,035.00
	<b>HUALK1000.07.03SC</b> Alt Code: HUB50SQ/LN/PS_5X165	<b>07</b>	Complete Hub 5/165 pcd S&N, 2500kg unbraked axles	R 1,035.00
	<b>HUALK1000.07.04SC</b> Alt Code: HUB50SQ/LN/PS_6X140	<b>07</b>	Complete Hub 6/140 pcd S&N, 2500kg unbraked axles	R 1,045.00
1	<b>GCAP56.1T</b> Alt Code: GCAP56		Grease Cap 55mm	
2	<b>M4X40SP</b> Alt Code: 1348022		M3.2 Split Pin	
3	<b>M24X2.0CN</b> Alt Code: 1348092		M24 Castle Nut M24x2.0 (M18CN Pre-2025)	
4	<b>B32008</b> Alt Code: BEARING32008		Inner Bearing 32008	
5	<b>B32006</b> Alt Code: BEARING32006		Outer Bearing 32006	
6	<b>M16WS</b> Alt Code: 1348271		M16 Wheel Studs 1.5mm	
7	<b>M16WN</b> Alt Code: 1348270		M16 Wheel Nut 1.5mm	
	<b>M12WS</b> Alt Code: WHEELSTUDM12		M12 Wheel Studs 1.5mm	
	<b>M12WN</b> Alt Code: 1348079		M12 Wheel Nuts 1.5mm	
8	<b>OS45-72-10</b> Alt Code: 1348439		Oil Seal 45x72x10	



Prices are exclusive of VAT and subject to change without prior notice. (E & OE Notice - pg43)

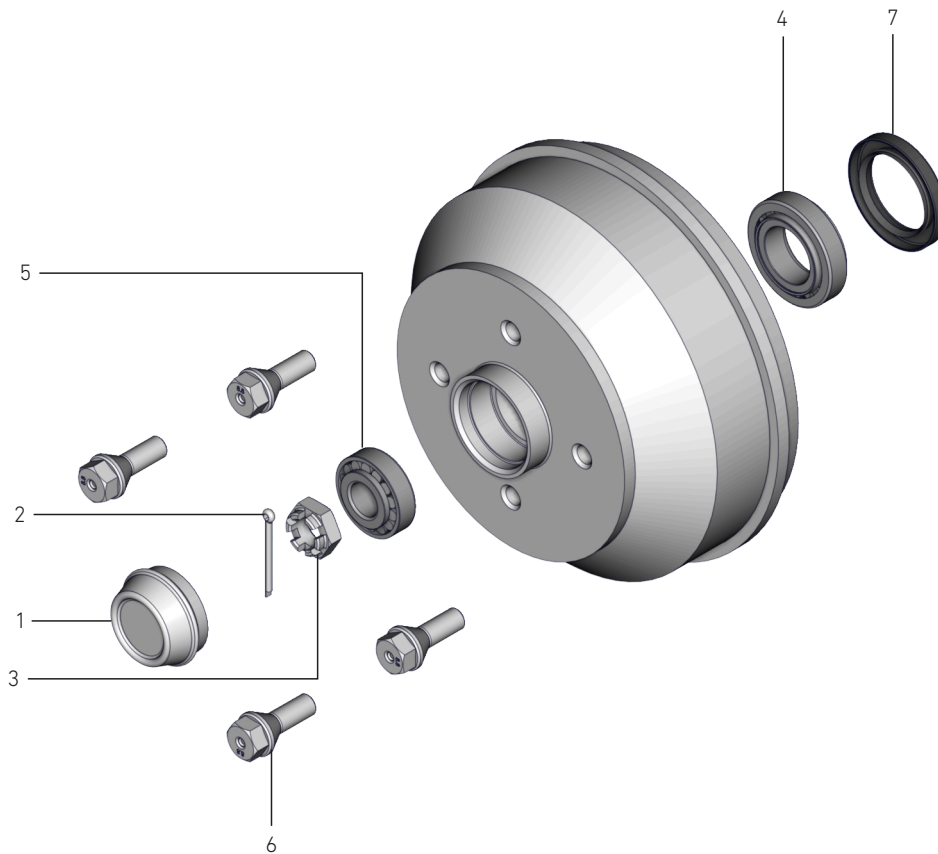


# Brake Drums 160

900kg Axle

Bearing Kit 07

Number	Stock Code	Hub Code	Description	Price Each
	<b>HBALK160.01C</b> Alt Code: BDRUM160/DT	<b>08</b>	160mm Complete Brake Drum 4/100 pcd DT	R 1,300.00
1	<b>GCAP48.1T</b> Alt Code: GCAP48		Grease Cap 48mm	
2	<b>M4X40SP</b> Alt Code: 1348022		M3.2 Split Pin	
3	<b>M16CN</b> Alt Code: 1348021		M16 Castle Nut M16x1.5	
4	<b>B45449\10</b> Alt Code: BEARING45449/10		Inner Bearing 45449/10	
5	<b>B11749\10</b> Alt Code: BEARING11749/10		Outer Bearing 11749/10	
6	<b>M12WB24</b> Alt Code: 1348016		M12 Wheel Bolt 1,5mm	
7	<b>OS38-52-7</b> Alt Code: 1348094		Oil Seal 38x52x7	



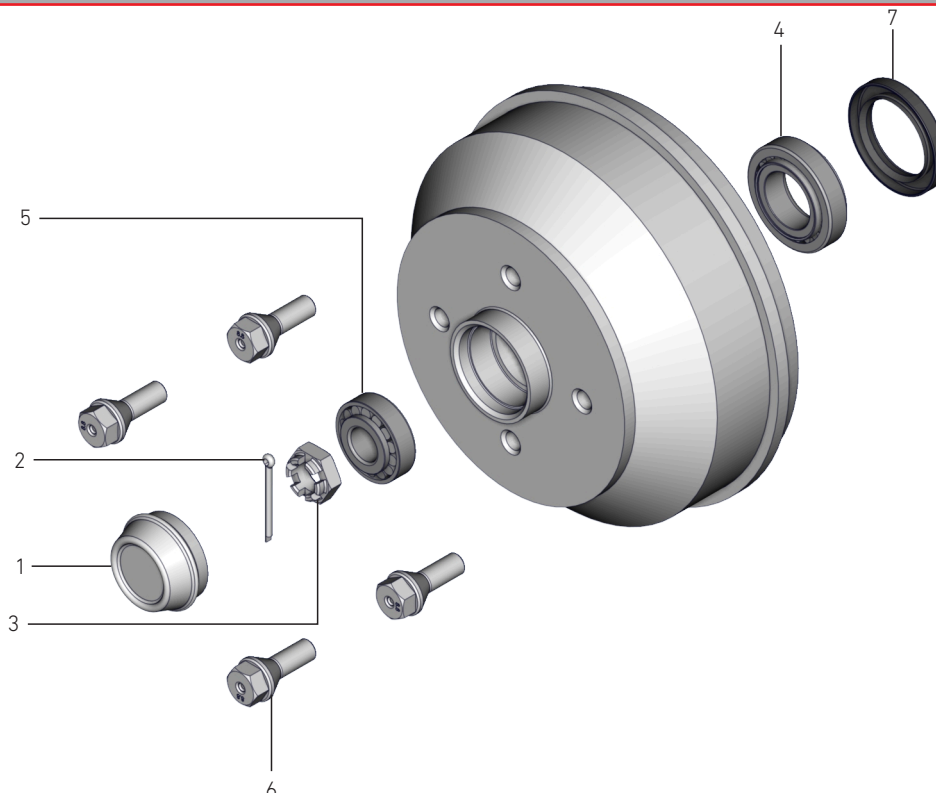
Prices are exclusive of VAT and subject to change without prior notice. (E & OE Notice - pg43)



# Brake Drums 2051

1500kg Axle  
Bearing Kit 08

Number	Stock Code	Hub Code	Description	Price Each
	<b>HBALK200.09.01C</b> Alt Code: BDRUM2051/DT_4X100	<b>09</b>	Complete Brake Drum 4/100 pcd DT	R 1,045.00
	<b>HBALK200.09.02C</b>	<b>09</b>	Complete Brake Drum 5/114 pcd DT	R 1,045.00
	<b>HBALK200.09.02SC</b>	<b>09</b>	Complete Brake Drum 5/114 pcd S&N	R 1,045.00
	<b>HBALK200.09.04C</b>	<b>09</b>	Complete Brake Drum 6/139.7 pcd DT	R 1,045.00
	<b>HBALK200.09.04SC</b>	<b>09</b>	Complete Brake Drum 6/139.7 pcd S&N	R 1,045.00
1	<b>GCAP48.1T</b> Alt Code: GCAP48		Grease Cap 48mm	
2	<b>M4X40SP</b> Alt Code: 1348022		M3.2 Split Pin	
3	<b>M24X2.0CN</b> Alt Code: 1348065		M24 Castle Nut M24x2.0	
4	<b>B67048/10</b> Alt Code: BEARING67048/10		Inner Bearing 67048/10	
5	<b>B11949/10</b> Alt Code: 1348064		Outer Bearing 11949/10	
6	<b>M12WB24</b> Alt Code: 1348016		M12 Wheel Bolt 1,5mm	
7	<b>OS42-62-7</b> Alt Code: Os4262		Oil Seal 42x62x7	

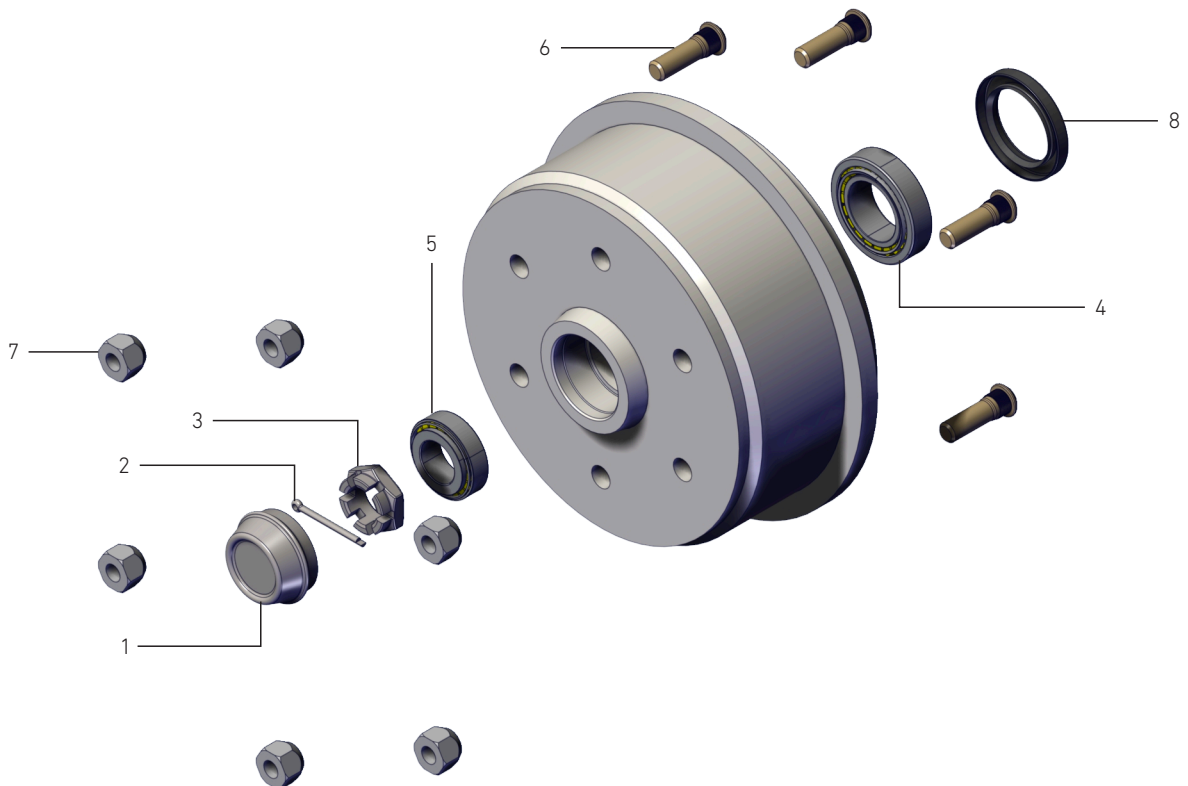


Prices are exclusive of VAT and subject to change without prior notice. (E & OE Notice - pg43)

# Brake Drums 2052

1600kg Axle  
Bearing Kit 09

Number	Stock Code	Hub Code	Description	Price Each
	<b>HBALK200.10.01C</b>	<b>10</b>	Complete Brake Drum 4/100 pcd DT	R 1,045.00
	<b>HBALK200.10.02C</b>	<b>10</b>	Complete Brake Drum 5/114 pcd DT	R 1,045.00
	<b>HBALK200.10.02SC</b> Alt Code: BDRUM2052/PS	<b>10</b>	Complete Brake Drum 5/114 pcd S&N	R 1,045.00
	<b>HBALK200.10.04SC</b> Alt Code: BDRUM2052/PS_6X140	<b>10</b>	Complete Brake Drum 6/140 pcd S&N	R 1,045.00
1	<b>GCAP48.1T</b> Alt Code: GCAP48		Grease Cap 48mm	
2	<b>M4X40SP</b> Alt Code: 1348022		M4 Split Pin	
3	<b>M24X2.0CN</b> Alt Code: 1348092		M24 Castle Nut M24x2.0 (M18CN Pre-2025)	
4	<b>B32007</b> Alt Code: BEARING32007		Inner Bearing 32007	
5	<b>B32005</b> Alt Code: BEARING32005		Outer Bearing 32005	
	<b>M12WB24</b> Alt Code: 1348016		M12 Wheel Bolt 1,5mm	
6	<b>M12WS</b> Alt Code: WHEELSTUDM12		M12 Wheel Studs 1,5mm	
7	<b>M12WN</b> Alt Code: 1348079		M12 Wheel Nuts 1,5mm	
8	<b>OS42-62-7</b> Alt Code: OS4262		Oil Seal 42x62x7	



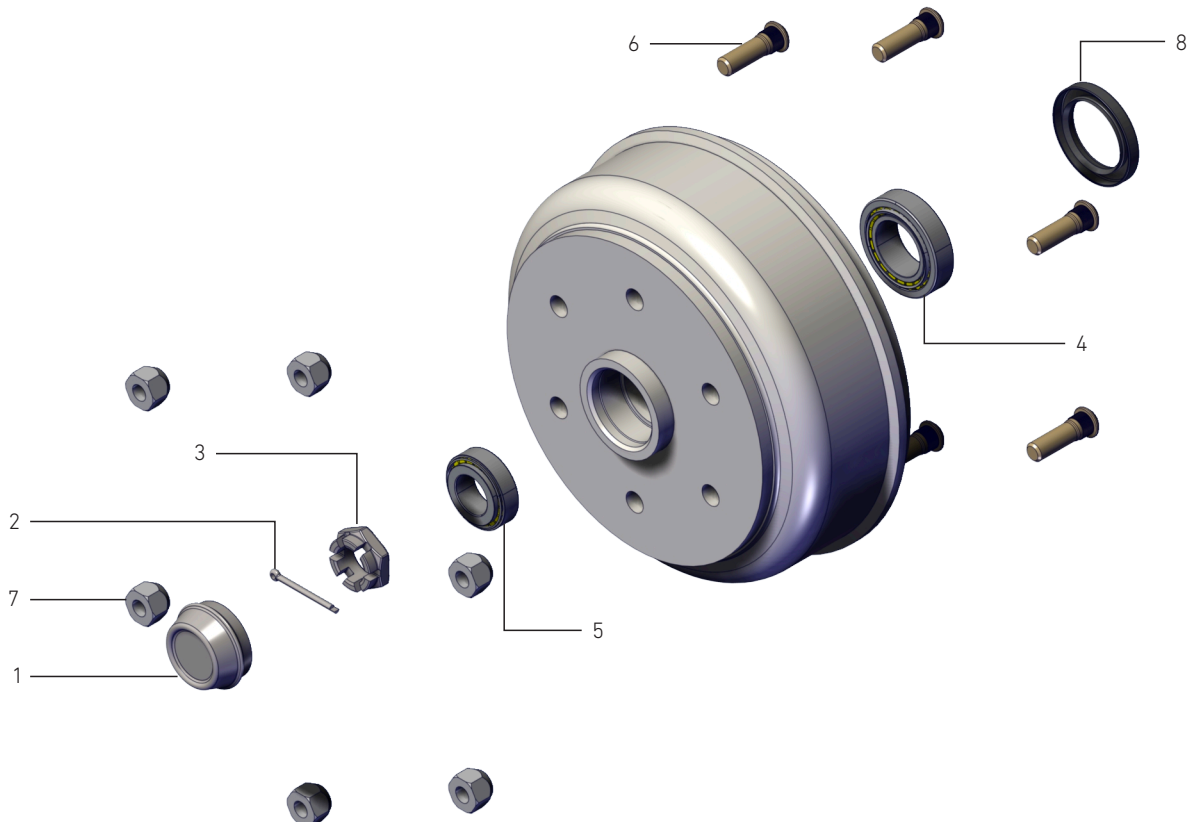
Prices are exclusive of VAT and subject to change without prior notice. (E & OE Notice - pg43)



# Brake Drums 230 SN

1800kg Axle  
Bearing Kit 09

Number	Stock Code	Hub Code	Description	Price Each
	<b>HBALK230.11.02C</b>	<b>11</b>	Complete Brake Drum 5/114 pcd DT	R 1,150.00
	<b>HBALK230.11.02SC</b> Alt Code: BDRUM230SN/PS	<b>11</b>	Complete Brake Drum 5/114 pcd S&N	R 1,150.00
	<b>HBALK230.11.04SC</b> Alt Code: BDRUM230SN/PS_6X140	<b>11</b>	Complete Brake Drum 6/140 pcd S&N	R 1,190.00
1	<b>GCAP48.1T</b> Alt Code: GCAP48		Grease Cap 48mm	
2	<b>M4X40SP</b> Alt Code: 1348022		M4 Split Pin	
3	<b>M24X2.0CN</b> Alt Code: 1348092		M24 Castle Nut M24x2.0 (M18CN Pre-2025)	
4	<b>B32007</b> Alt Code: BEARING32007		Inner Bearing 32007	
5	<b>B32005</b> Alt Code: BEARING32005		Outer Bearing 32005	
	<b>M12WB24</b> Alt Code: 1348016		M12 Wheel Bolt 1,5mm	
6	<b>M12WS</b> Alt Code: WHEELSTUDM12		M12 Wheel Studs 1,5mm	
7	<b>M12WN</b> Alt Code: 1348079		M12 Wheel Nuts 1,5mm	
8	<b>OS42-62-7</b> Alt Code: Os4262		Oil Seal 42x62x7	



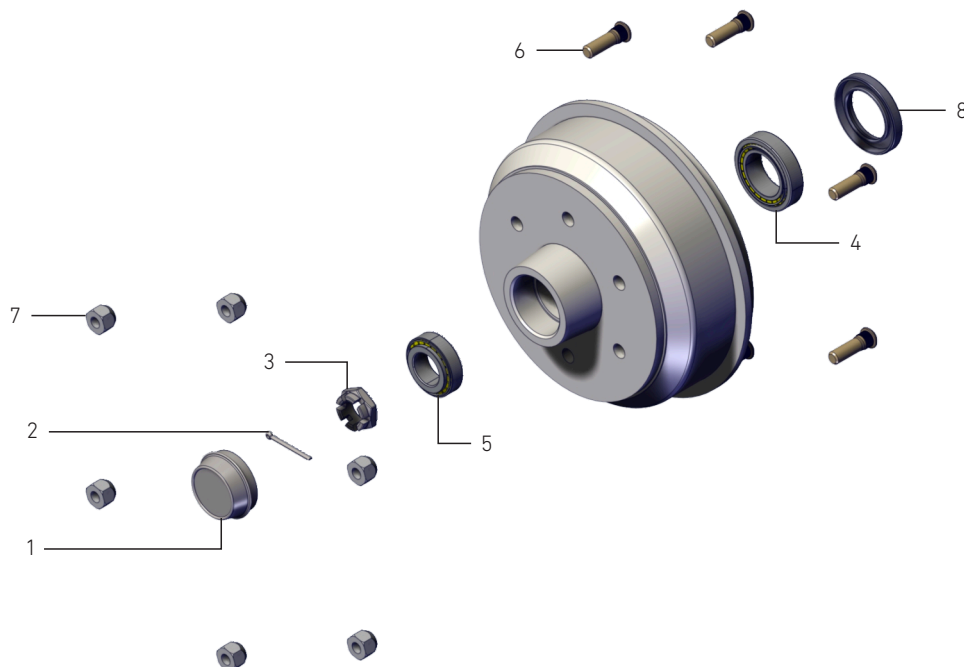
Prices are exclusive of VAT and subject to change without prior notice. (E & OE Notice - pg43)



# Brake Drums 230 LN

2000kg Axle  
Bearing Kit 10

Number	Stock Code	Hub Code	Description	Price Each
	<b>HBALK230.12.02C</b> Alt Code: BDRUM230LN/DT_5X114	12	Complete Brake Drum 5/114 pcd DT	R 1,350.00
	<b>HBALK230.12.02SC</b>	12	Complete Brake Drum 5/114 pcd S&N	R 1,350.00
	<b>HBALK230.12.03SC</b> Alt Code: BDRUM230LNPS5X165M16	12	Complete Brake Drum 5/165 pcd S&N	R 1,360.00
	<b>HBALK230.12.04SC</b>	12	Complete Brake Drum 6/140 pcd S&N	R 1,360.00
1	<b>GCAP56.1T</b> Alt Code: GCAP56		Grease Cap 55mm	
2	<b>M4X40SP</b> Alt Code: 1348022		M3.2 Split Pin	
3	<b>M24X2.0CN</b> Alt Code: 1348092		M24 Castle Nut M24x2.0	
4	<b>B32008</b> Alt Code: BEARING32008		Inner Bearing 32008	
5	<b>B32006</b> Alt Code: BEARING32006		Outer Bearing 32006	
	<b>M12WB24</b> Alt Code: 1348016		M12 Wheel Bolt 1,5mm	
6	<b>M12WS</b> Alt Code: WHEELSTUDM12		M12 Wheel Studs 1,5mm	
7	<b>M12WN</b> Alt Code: 1348079		M12 Wheel Nuts 1,5mm	
	<b>M16WS</b> Alt Code: 1348271		M16 Wheel Studs 1,5mm	
	<b>M16WN</b> Alt Code: 1348270		M16 Wheel Nuts 1,5mm	
8	<b>OS45-72-10</b> Alt Code: 1348439		Oil Seal 45x72x10	



Prices are exclusive of VAT and subject to change without prior notice. (E & OE Notice - pg43)

## Grease Caps

Stock Code	Alt Code	Description	Price Each
GCAP48.1T.01	GCAP48	Grease Cap 48mm	R 30.00
GCAP50.1T.01	GCAP50	Grease Cap 50mm	R 110.00
GCAP55E.1T.01	GCAP55E	Grease Cap 55 Euro	R 120.00
GCAP56.1T.01	GCAP56	Grease Cap 56mm	R 115.00

## Castle Nuts

Stock Code	Alt Code	Description	Price Each
M16CN	1348021	Castle Nut M16 x 1.5	R 23.00
M18CN	1348065	Castle Nut M18 x 1.5	R 23.00
M22X1.5CN	1350035	Castle Nut M22 x 1.5	R 32.00
M24X2.0CN	1348092	Castle Nut M24 x 2.0	R 37.00





## Bearing Kits

Kit	Components	Description	Qty	ID (mm)	OD (mm)	Grease Cap (i)	Application	Price Each
<b>BKIT05</b> Alt Code: 1248009	B44649\10	Bearing 44610/49	1	27.0	50.0	Ø 50mm	Venter: 40mm Unbraked Axle 4/100  Rubax: Reno Hub	R 265.00
	B67048\10	Bearing 67048/10	1	31.7	59.1			
	OS40-60-10	Seal 40-60-10	1	40.0	60.0			
	M4X40SP	Split Pin 4X40	1	-	-			
<b>BKIT06</b> Alt Code: 1248008	B44649\10	Bearing 44610/49	2	27.0	50.0	Ø 50mm	Venter: 40mm Square Unbraked 4/100 Mini Hub	R 190.00
	OS38-52-7	Bearing 38-52-7	1	38.0	52.0			
	M4X40SP	Spit Pin 4x40	1	-	-			
<b>BKIT07</b> Alt Code: 1248003	B11749\10	Bearing 11749/10	1	17.0	40.0	Ø 48mm	Trailco: 40mm Braked Axle 40mm Unbraked Axle	R 195.00
	B45449\10	Bearing 45449/10	1	29.0	50.3			
	OS38-52-7	Seal 38-52-7	1	38.0	52.0			
	M4X40SP	Split Pin 4X40	1					
<b>BKIT08</b> Alt Code: 1248004	B11949\10	Bearing 11949/10	1	19.0	45.2	Ø 48mm	Trailco: 45mm Braked/ Unbraked Axle 5/114.3 or 4/100	R 205.00
	B67048\10	Bearing 67048/10	1	31.7	59.1			
	OS42-62-7	Seal 42-62-7	1	42.0	62.0			
	M4X40SP	Split Pin 4X40	1	-	-			
<b>BKIT09</b> Alt Code: 1248006	B32005	Bearing 32005	1	25.0	47.0	Ø 48mm	Trailco: 45mm Braked 6/139.7 50mm Round Unbraked 9" Braked Axle Short Nose	R 240.00
	B32007	Bearing 32007	1	35.0	62.0			
	OS42-62-7	Seal 42-62-7	1	42.0	62.0			
	M4X40SP	Split Pin 4X40	1	-	-			
<b>BKIT10</b> Alt Code: 1248007	B32006	Bearing 32006	1	30.0	55.0	Ø 55mm	Trailco: 50mm Square Unbraked 9" Braked Axle Long Nose	R 310.00
	B32008	Bearing 32008	1	40.0	68.0			
	OS45-72-10	Seal 45-72-10	1	45.0	72.0			
	M4X40SP	Split Pin 4X40	1	-	-			

Prices are exclusive of VAT and subject to change without prior notice. (E & OE Notice - pg43)



## Bearing Kits

Kit	Components	Description	Qty	ID (mm)	OD (mm)	Grease Cap (i)	Application	Price Each
<b>BKIT11</b> Alt Code: 1248010	B44649\10	Bearing 44649/10	1	26.9	50.2	Ø 50mm	Venter 45SQ	R 310.00
	B48548\10	Bearing 48548/10	1	34.9	65.0			
	OS50-65-8	Seal 50-65-8	1	50.0	65.0			
	M4X40SP	Split Pin 4X40	1	-	-			

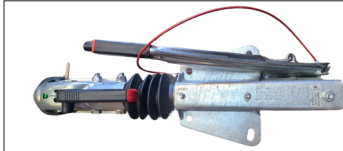
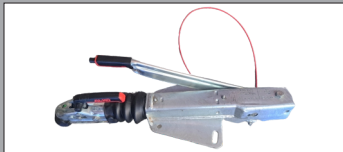
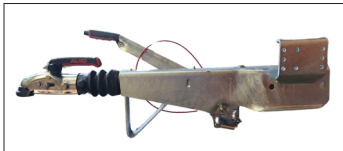
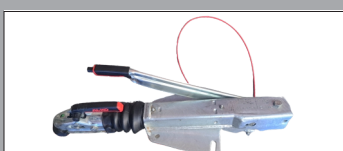


Prices are exclusive of VAT and subject to change without prior notice. (E & OE Notice - pg43)



# Couplers

## Braked



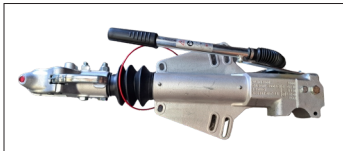
Image	Stock Code	Capacity	Head	Body Type	Price
	<b>CBALK90SB</b> Kober Coupler Alt Code: COUPLER90S	700kg- 1000kg	50mm Ball	Delta	R 3,875.00
	<b>CBALK161SB</b> Kober Coupler Alt Code: COUPLER161S	950kg- 1600kg	50mm Ball	Delta	R 3,995.00
	<b>CBALK161SBM1</b> Kober Mono Coupler Alt Code: 247685	950kg- 1600kg	50mm Ball	Mono - 70mm	R 5,250.00
	<b>CBALK161SBM</b> Kober Mono Coupler Alt Code: COUPLER161S/SQ100	950kg- 1600kg	50mm Ball	Mono - 100mm	R 5,695.00
	<b>CBALK2300B.OT</b> Sigma - Old Type H/B Alt Code: ORC/AK270/OTH/STD	2300kg	50mm Ball	Delta	R 4,280.00
	<b>CBALK251SB</b> Kober Coupler Alt Code: COUPLER251S	1500kg- 2700kg	50mm Ball	Delta	R 4,480.00
	<b>CBALK251SBM</b> Kober Mono Coupler Alt Code: COUPLER251S/SQ	1500kg- 2600kg	50mm Ball	Mono - 100mm	R 6,250.00

Prices are exclusive of VAT and subject to change without prior notice. (E & OE Notice - pg43)



# Couplers

## Braked

Image	Stock Code	Capacity	Head	Body Type	Price
	<b>CBALK251GB1</b> Kober Coupler Alt Code: COUPLER251G/AK301	1550kg- 3000kg	50mm Ball	Delta	R 5,080.00
	<b>CBALK3000B.OT</b> Sigma H/D - Old Type H/B Alt Code: ORC/AK301/OTH/HD	3000kg	50mm Ball	Delta	R 4,980.00
	<b>CBALKPRO35B</b> Kober Coupler Alt Code: COUPLERPROFI	2000kg- 3500kg	50mm Ball	Delta	R 8,895.00

Prices are exclusive of VAT and subject to change without prior notice. (E & OE Notice - pg43)



# Sigma Spares

## Cast Body

No.	Stock Code	Description	Price Each
1	<b>CBALKBALL50.B</b> Alt Code: COUPLERHEAD/AK270	Coupler Head AK300/AK270	R 850.00
1	<b>CBALKBALL50.B1</b> Alt Code: 1350059	Coupler Head Ak301 (1221746)	R 1,350.00
2	<b>CBALKS01.01</b> Alt Code: 1350020	Bellow Sigma New Ak300	R 75.00
2	<b>CBALKS01.07</b> Alt Code: BELLOWMONO	Bellow Mono	R 75.00
2	<b>CBALKS01.08</b> Alt Code: BELLOWBETA	Bellow Sigma Old Type	R 75.00
3	<b>JTCA009</b> Alt Code: LPS25	Locking Pad Sigma	R 15.50
4	<b>JTCA008B</b> Alt Code: 1348150	M12 Locking Handle Sigma	R 60.00
5	<b>CHDALK2300S.ALK</b> Alt Code: SIGMA/LDSHOCK	Shock Absorber 353936 Sigma L/D	R 1,020.00
5	<b>CHDALK3000S.ALK</b> Alt Code: SIGMA/HDSHOCK	Shock Absorber 1215917 Sigma H/D	R 1,065.00
6.1	<b>CBALKS03.010T</b> Alt Code: HANDBRAKEASSYOLDTYPE	Handbrake Lever Assembly Old Type	R 875.00
6.2	<b>CBALKS03.02</b> Alt Code: HBSIGMA/GAS	Handbrake Sigma Gaslift With Cable 1251692	R 880.00
7	<b>CBB-CB10230</b> Alt Code: 1248174	Autoreverse Spring Cylinder	R 375.00
8	<b>CBALKS06.01A</b> Alt Code: 1348152	Buffer Rubber 35mm	R 9.50
9	<b>CBALKS05.01</b> Alt Code: 1348082	Sigma Stepped Shaft EN19	R680.00

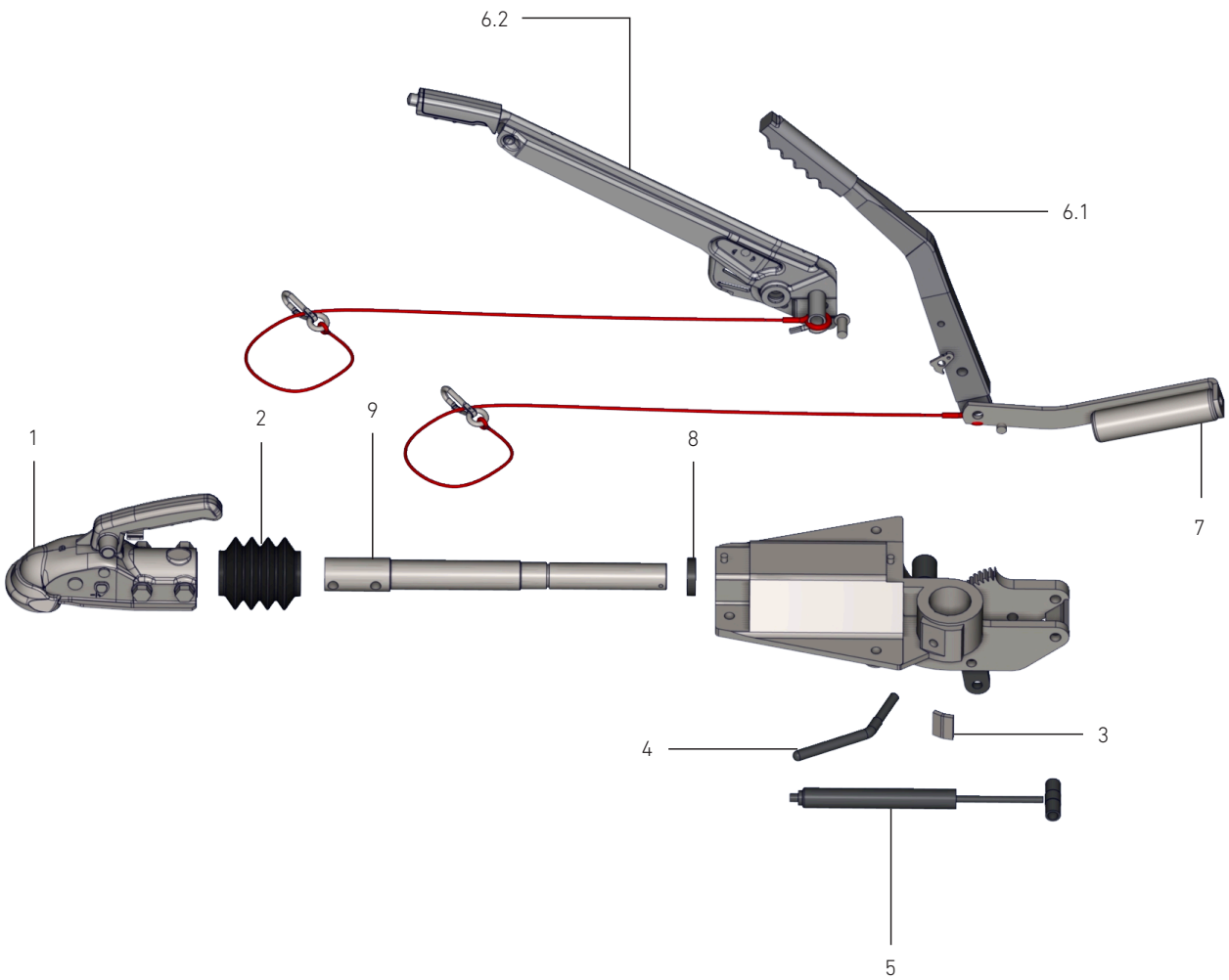
### NOTES:

Refer to image on the next page.

Prices are exclusive of VAT and subject to change without prior notice. (E & OE Notice - pg43)



# Cast Bodies



Prices are exclusive of VAT and subject to change without prior notice. (E & OE Notice - pg43)



# Kober Spares

## Pressed Steel Bodies

No.	Stock Code	Description	Price Each
1	<b>CBALKBALL50.B</b> Alt Code: COUPLERHEAD/AK270	Coupler Head AK300/AK270	R 850.00
1	<b>CBALKBALL50.B1</b> Alt Code: 1350059	Coupler Head Ak301 (1221746)	R 1,350.00
1	<b>CBALKBALL60</b> Alt Code: 1350007	Coupler Head Ak351	R 2,600.00
2	<b>CBALKS01.03</b> Alt Code: 2073890210	Bellow 90S	R 160.00
2	<b>CBALKS17</b> Alt Code: 1348687	Bellow 161/251S/251G 366356	R 160.00
2	<b>CBALKS02</b> Alt Code: 1349914	Bellow 3.5T 21726605	R 250.00
3	<b>CHDALK90S.ALK</b> Alt Code: 359987	Shock Absorber 90S	R 1,055.00
3	<b>CHDALK161S.ALK</b> Alt Code: 1348696	Shock Absorber 161S 370556	R 1,155.00
3	<b>CHDALK251S.ALK</b> Alt Code: 1348598	Shock Absorber 251S 370589	R 1,255.00
3	<b>CHDALK251G.ALK</b> Alt Code: 1348691	Shock Absorber 251G 372641	R 1,530.00
3	<b>CHDALKPRO35.ALK</b> Alt Code: 1217090	Shock Profi3500 Coupler Cast Version	R 2,830.00
4.1	<b>CBALKS03.03</b> Alt Code: 220049	Handbrake Assembly 90S/3 Kober	R 2,950.00
4.1	<b>CBALKS03.05</b> Alt Code: 1348692	Handbrake 161/251S/251G	R 1,045.00
4.2	<b>CBALKS10</b> Alt Code: 692236	Handbrake Assembly Profi 3000/3500	POR
5	<b>CBALK07.03</b> Alt Code: 1210678	Bushes Kit 90S	R 160.00
5	<b>CBALK07.09</b> Alt Code: 1348701	Tube Bush Kit 2 Piece 161S/251S/251G	R 680.00
6	<b>CBALKS08.05G</b> Alt Code: 625645	Shaft 251G 3 Ton Coupler	R 1,930.00
6	<b>CBALKS12</b> Alt Code: 1350093	Shaft for Profi 3500 Kober	R 3,600.00
7	<b>CBALKS23.05S</b> Alt Code: 1350094	Overrun Lever 251S 380526 90:30	R 280.00
7	<b>CBALKS23.05G</b> Alt Code: 1350312	Overrun Lever 251G 626796 90:27	R 280.00
8	<b>CBALKS34.02</b> Alt Code: 692648	Spring Cylinder Pack Profi Coupler 3500kg	POR

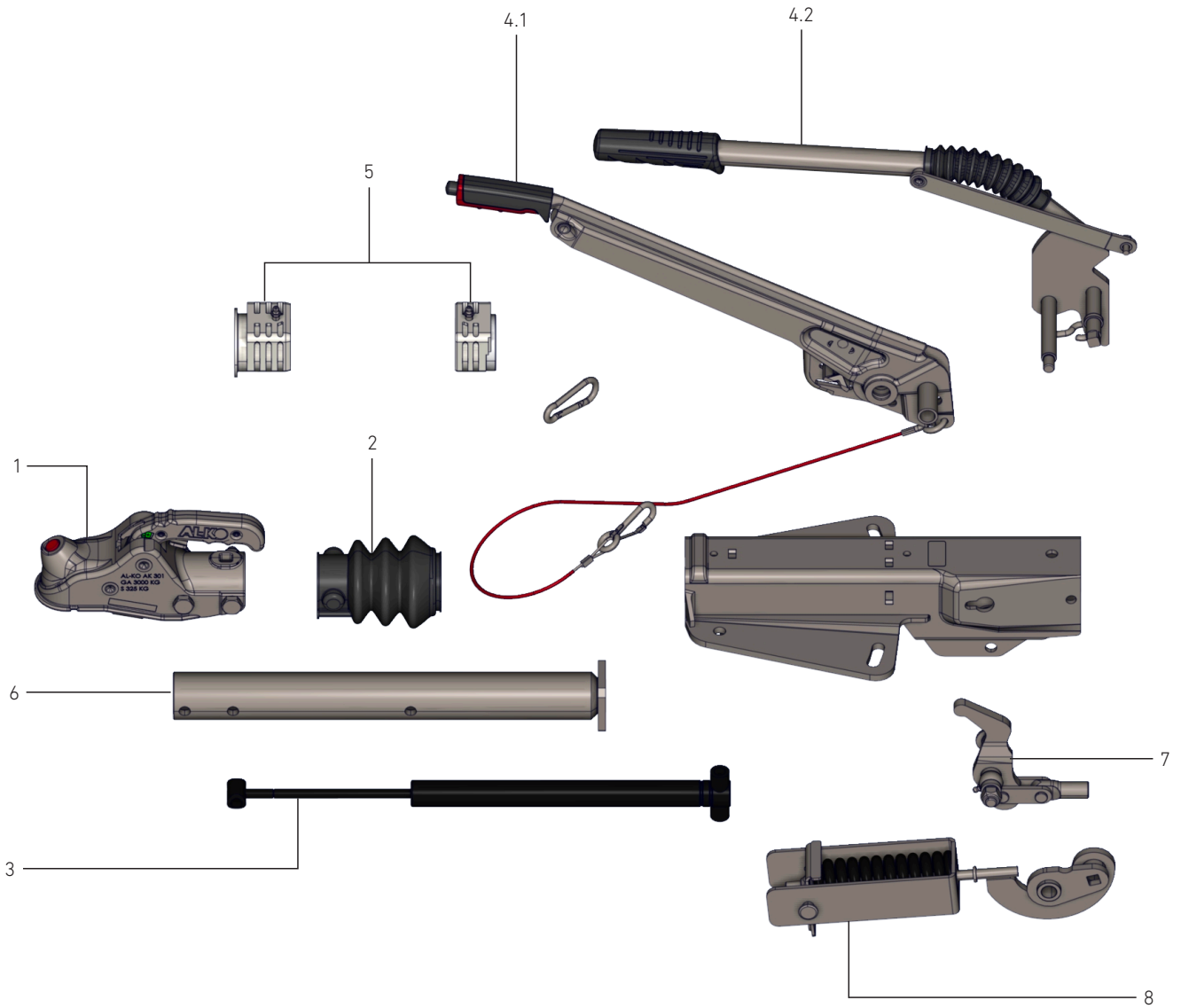
### NOTES:

Refer to image on the next page.

Prices are exclusive of VAT and subject to change without prior notice. (E & OE Notice - pg43)




# Pressed Steel Bodies










Prices are exclusive of VAT and subject to change without prior notice. (E & OE Notice - pg43)



## Un-Braked Coupler

Image	Stock Code	Capacity	Head	Body Type	Price
	<b>CUALK0750</b> Alt Code: 1248056	750kg	50mm Ball	Straight	R 310.00

## Tow Balls, Pin Couplers & Accessories

Image	Stock Code	Description	Price
	<b>NTL014</b>	Pin & Ball Combination 1800kg	R 1,675.00
	<b>CGN50MM</b>	Gooseneck Ball Galv. 50mm 1.8T	R 475.00
	<b>CGN50MM2</b> Alt Code: 1248289	Towball & Nut	R 290.00
	<b>CGN50SB-BLACK</b> Alt Code: 1310913	Soft-Ball Black Single	R 55.00
	<b>CBALKL01</b> Alt Code: 1730411	Lock AK161/AK270 Kit	R 410.00
	<b>CBALKL02</b> Alt Code: 1350222	Coupler Safety Universal Lock (1224081)	R 425.00
	<b>CBALKL04</b> Alt Code: 1248182	Lock & Key Ak7 203216	R 165.00

## Jockey Wheels

Stock Code	Description	Max Load	Stroke	Shaft Ø	Wheel	Price Each
<b>JT48/8S-RATCHET</b> Alt Code: 1348721	Ratchet Jockey Wheel	350kg	330mm	48mm	200mm	R 3,710.00
<b>JT48/8S-SCALE</b> Alt Code: JW48 PREM	Jockey Wheel 48 Premium	180kg	200mm	48mm	230mm	R 1,805.00
<b>JT60/220S-0775R</b> Alt Code: JWAUTO B-BRACKET	Jockey Wheel Automatic	500kg	245mm	60mm	200mm	R 1,720.00
<b>JT73/260S-0775R</b> Alt Code: AGR11366155	Jockey Wheel Automatic	800kg	-	73mm	260x65	R 2,500.00
<b>JTC48</b> Alt Code: 1335092	Clamp 48 Swivel	-	-	-	-	R 980.00



JT48/8S-RATCHET



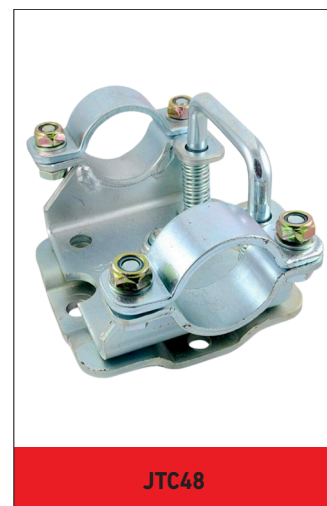
JT48/8S-SCALE



JT60/220S-0775R



JT73/260S-0775R



JTC48

### NOTES:

Refer to image on the next page.

Prices are exclusive of VAT and subject to change without prior notice. (E & OE Notice - pg43)



## Landing Gear

Stock Code	Description	Outer Tube	Retracted Length	Extended Length	Stroke	Price Each
<b>JT48/P</b> Alt Code: LIFTINGLEG/48	Parking Jack Ø48 with Plate	Ø48mm				R 610.00
<b>JT60/P</b> Alt Code: LIFTINGLEG/60	Lifting Leg 60	Ø60mm			260mm	R 820.00
<b>J0020S</b> Alt Code: LIFTINGMECHSHRT	Lifting Mech Short	□ 45mm			200mm	R 705.00
<b>J0020</b> Alt Code: LIFTINGMECHLONG	Lifting Mech Long	□ 45mm			250mm	R 975.00
<b>JCCJ02</b> Alt Code: CORNERSTEADY505	Corner Steady Galv. 505mm/190mm - 800kg		90mm	505mm	415mm	R 820.00
<b>JCCJ03</b> Alt Code: CORNERSTEADY605	Corner Steady Galv. 605-267265 - 1,000kg		90mm	605mm	515mm	R 680.00
<b>JCCJ04</b> Alt Code: 1221694	Corner Steady Galv. Premium Long - 1,250kg		90mm	605mm	515mm	R 1,220.00
<b>JCCJ05</b> Alt Code: 1731376	Corner Steady Electrical System UP4-ESS1 - 1,250kg		90mm	605mm	515mm	R 28,000.00
<b>J0044ALKS</b> Alt Code: 410/LIFTINGLEG	Stabiliser Leg 410/590mm 654859	□ 45mm	410mm	590mm	180mm	R 820.00
<b>J0044ALK</b> Alt Code: 510/LIFTINGLEG	Stabiliser Leg 510/740mm 654874	□ 45mm	510mm	740mm	230mm	R 880.00



### NOTES:

Refer to image on the next page.

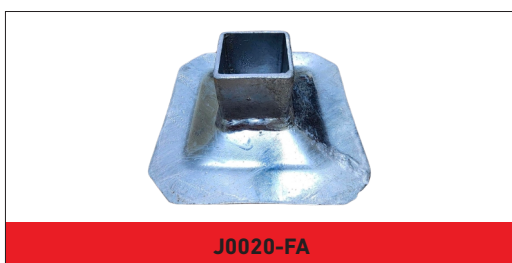
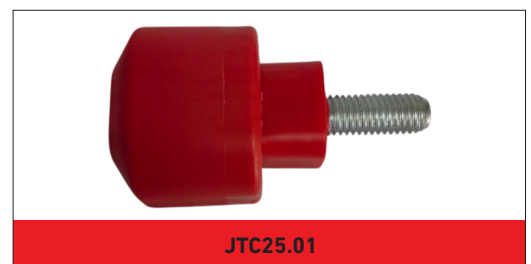
Prices are exclusive of VAT and subject to change without prior notice. (E & OE Notice - pg43)





## Landing Gear Spares

Stock Code	Description	Price Each
<b>JTKNOB</b> Alt Code: JWKNOB	Jockey Wheel Knob	R 30.00
<b>JTC25.01</b> Alt Code: CASTKNOB/BOLT	Castor Knob with Bolt	R 25.00
<b>J0020-FA001</b> Alt Code: FOOTPIECE/SHORT/MECH	Foot piece Short Galv Lift Mech 45SQ	R 120.00
<b>J0020-FA002</b> Alt Code: FOOTPIECE/LONG/MECH	Foot piece Long Galv Lift Mech 45SQ	R 130.00
<b>JCALKP01</b> Alt Code: 655901	Jack Pad Single for J0044ALKS/ALK	R 145.00
<b>JCALKP02</b> Alt Code: JACKPAD	Jack Pad for Corner Steady - JCCJ02	R 35.00
<b>JCALKP01.KIT01</b> Alt Code: 1212458	Big Foot Set (4) For JCCJ04/05	R 1,060.00
<b>JCALKP01-KIT02</b> Alt Code: 1213899	Adaptor Big Foot 4 in Box For JCCJ04 & JCCJ05	R 790.00
<b>JCCJ01-SP001-G</b> Alt Code: 1361861	Slide Plate 690mm For JCCJ04/05 Corner Steady	R 160.00
<b>J0044H-ALK</b> Alt Code: 654880	Handle + 2 Buttons for J0044ALKS/ALK	R 25.00
<b>JCCH01</b> Alt Code: 1349911	Brace 595mm Manufacture Corner Steady	R 140.00
<b>JCCH02</b> Alt Code: 267363	Brace 865mm F. Corner Steady	R 140.00



### NOTES:

Refer to image on the next page.

Prices are exclusive of VAT and subject to change without prior notice. (E & OE Notice - pg43)



JCALKP02



JCALKP01.KIT01



JCCJ01-SP001-G



JCALKP01-KIT02



JCCH01



J0044H-ALK



JCCH02

## Chassis

Stock Code	Description	Size	Price Each
<b>QPD00SCGR57152300</b> Alt Code: 1706017	1500kg Single Chassis	5715 x 2300mm	POR
<b>QPD00SCGR66552300</b> Alt Code: 1704203	1500kg Single Chassis	6655 x 2300mm	POR
<b>QPD00TCGR76632300</b> Alt Code: 1708048	1800kg Tandem Chassis	7663 x 2300mm	POR



QPD00SCGR57152300



QPD00TCGR76632300

## Chassis Components

Stock Code	Description	Price Each
<b>CHDALK244086.ALK</b> Alt Code: 1350061	Shock Absorber Octagon Red (244086)	R 990.00
<b>CHDALK244085.ALK</b> Alt Code: 1349956	Shock Absorber Octagon Blue (244085)	R 880.00
<b>ZAC-WC-01</b> Alt Code: 249422	Wheel Chock Black UK10K	R 80.00
<b>ZAC-WCB-01</b> Alt Code: 249423	Wheel Chock Bracket Black UK10K	R 30.00
<b>ZAC-WC-02</b> Alt Code: 1235990	Wheel Chock Black UK36K	R 240.00
<b>ATC-ALK-S1300</b> Alt Code: 1223022	ATC Single 750-1300kg GVM	POR
<b>ATC-ALK-S1500</b> Alt Code: 1350199	ATC Single 1301-1500kg GVM 1223023	POR
<b>ATC-ALK-S1800</b> Alt Code: 1350200	ATC Single 1501-1800kg GVM 1223287	POR
<b>ATC-ALK-T2000</b> Alt Code: 1223162	ATC Tandem 1601-2000kg GVM	POR
<b>ATC-ALK-T2500</b> Alt Code: 1350201	ATC Tandem 2001-2500kg GVM 1223288	POR
<b>CBAKS50</b> Alt Code: 1350090	AKS3004 1225158	R 3,800.00
<b>ZAC-SWC-01</b> Alt Code: 1556005	Spare Wheel Carrier - 1265 to 1515	R 5,200.00
<b>ZAC-SWC-02</b> Alt Code: 1556010	Spare Wheel Carrier - 1465 to 1815	R 5,600.00
<b>ZAC-SWC-03</b> Alt Code: 294284	Spare Wheel Carrier - Add On Kit	R 1,100.00

### NOTES:

Refer to images on the next page.

Prices are exclusive of VAT and subject to change without prior notice. (E & OE Notice - pg43)



CHDALK244086.ALK



CHDALK244085.ALK



WHEEL CHOCKS



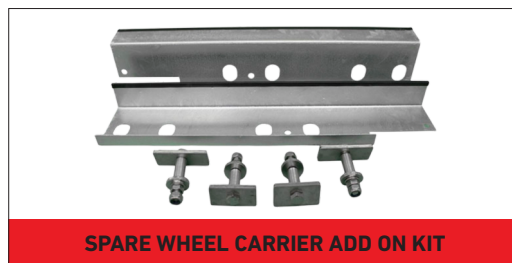
ATC SYSTEM



CBAKS50



SPARE WHEEL CARRIER



SPARE WHEEL CARRIER ADD ON KIT

Prices are exclusive of VAT and subject to change without prior notice. (E & OE Notice - pg43)



**E&OE NOTICE**

While we strive to provide accurate product and pricing information, unintentional pricing or typographical errors may occur. We reserve the right to correct any errors, inaccuracies or omissions and to change or update information (including, without limitation, images, information related to text, pricing, availability and product descriptions) at any time without notice.

Prices are subject to change without prior notice.

Johannesburg: 011 396 6000  
Pretoria: 012 030 1800  
Cape Town: 021 907 1900  
Durban: 031 792 1020  
Vereeniging: 016 100 6150  
[information@burquip.co.za](mailto:information@burquip.co.za)

