



# Contents

<b>Rubbaride Axles - Up to 3500kg</b>	<b>05</b>
Rubbaride Stub Axles without brakes	05
Rubbaride Full Beam Axles without brakes	06
Rubbaride Stub Axles with drum brakes	07
Rubbaride Full Beam Axles with drum brakes	08
<b>Standard High Speed Axles - Up to 3500kg</b>	<b>09</b>
Standard High Speed Axles without brakes	09
Standard High Speed Axles with brakes	11
<b>Agricultural Implement Axles</b>	<b>12</b>
Full Beam Axles without brakes	12
Full Beam Axles with brakes (Flat Cam)	13
<b>Standard High Speed Axles - 3500kg to 13000kg</b>	<b>14</b>
<b>Transmission Components</b>	<b>15</b>
<b>Bearing Kits</b>	<b>17</b>
<b>Wheels</b>	<b>20</b>
High Speed Trailer & Caravan Wheels	20
Rim & Tyre Combos	25
Agricultural Tractor & Implement Wheels	27
<b>Hydraulic Cylinders</b>	<b>30</b>
Base Pin Mounted Cylinders	30
Center Trunnion Mounted Cylinders	33
Brake Cylinder Kit	37
Ball & Socket Tipping Joint	38
<b>Tie-Rod Cylinders</b>	<b>39</b>
<b>Turntables</b>	<b>43</b>
<b>Power Take-Off Series</b>	<b>45</b>
Complete PTO's - 4S	45
Complete PTO's - 6S	45
PTO Spares - 4S	46
PTO Spares - 6S	47
<b>Couplers</b>	<b>48</b>
With Brakes	48
Without Brakes	49
Tow Eyes	50



<b>Landing Gear</b>	<b>51</b>
Jockey Wheels & Clamps	51
Parking Jacks	53
Stabiliser Legs	55
<b>Suspensions</b>	<b>56</b>
Leaf Springs	56
Spring Kits	58
Spring Mounting Kits	59
Mechanical Spring Kits: 3500kg-36000kg	61
Parabolic Springs	62
Dampers	63
<b>U-bolts &amp; 5 Hole Plates</b>	<b>64</b>
U-bolts	64
5 Hole Plates	65
<b>Saddles, Bolts &amp; Hangers</b>	<b>66</b>
Saddles	66
Bolts	66
Hangers	67
<b>Wheel Studs &amp; Nuts</b>	<b>68</b>
Wheel Studs	68
Wheel Nuts	69
Nylock Nuts	69
<b>Castle Nuts &amp; Grease Caps</b>	<b>70</b>
Castle Nuts	70
Grease Caps	71
<b>Knott Braked Coupler Spares</b>	<b>72</b>
Pressed Steel Bodies	72
Cast Iron Bodies	74
<b>Coupler Din Eye Heads</b>	<b>75</b>
<b>Brake Mechanisms</b>	<b>76</b>
BK200	76
BK250B	77
BK250A	78
<b>Introduction to Pitch Circle Diameters (PCD)</b>	<b>79</b>
<b>Brake Drums</b>	<b>80</b>
1600kg Axle	80
1800kg Axle	81
2500kg Axle	82



<b>Hubs</b>	<b>83</b>
750kg Unbraked Axle	83
1600kg Unbraked Axle	85
2500kg Unbraked Axle	87
<b>Electrical &amp; Reflective Components</b>	<b>89</b>
Electrical Cable	89
Light Boxes	89
Lights	90
Plugs & Adaptors	94
Reflective Components	95
<b>Body Components</b>	<b>96</b>
Data Plate	96
Hand Winches	96
Tie-Downs	97
Hinges, Brackets & Fittings	98
Tail Boards	101
Mud Guards	102
<b>Contact Details</b>	<b>103</b>



## Rubbaride Stub Axles Without Brakes

Stock Code	Capacity	Stud Fixing	Price Per Stub
AR0550/0750L / AR0550/0750R	550kg to 750kg (Pair)	4/61/100	R 2,305.00
AR0900/1150L / AR0900/1150R	900kg to 1150kg (Pair)	Optional	R 4,599.00
AR1200/1600L / AR1200/1600R	1200kg to 1600kg (Pair)	Optional	R 4,735.00
AR1300/1800L / AR1300/1800R	1300kg to 1800kg (Pair)	Optional	R 4,735.00
AR2000/2500L / AR2000/2500R	2000kg to 2500kg (Pair)	Optional	R 8,810.00
AR3000/3500L / AR3000/3500R	3000kg to 3500kg (Pair)	6/160.8/205	R 10,495.00



When two axles are to be used in tandem, the order must state it.

Where two axles are used in tandem without a load sharing mechanism, the carrying capacity of the combination is reduced by 17%.

Prices are exclusive of VAT and subject to change without prior notice. (E & OE Notice - pg103)



## Rubbaride Full Beam Axles Without Brakes

Stock Code	Capacity	Stud Fixing	Price Each
AR0550/0750-1	550kg to 750kg	4/61/100	R 4,405.00
AR0900/1150-1	900kg to 1150kg	Optional	R 8,395.00
AR1200/1600-1	1200kg to 1600kg	Optional	R 9,445.00
AR1300/1800-1	1300kg to 1800kg	Optional	R 9,340.00
AR2000/2500-1	2000kg to 2500kg	R 17,425.00	
AR3000/3500-1	3000kg to 3500kg	6/160.8/205	R 19,210.00



When two axles are to be used in tandem, the order must state it.

Where two axles are used in tandem without a load sharing mechanism, the carrying capacity of the combination is reduced by 17%.

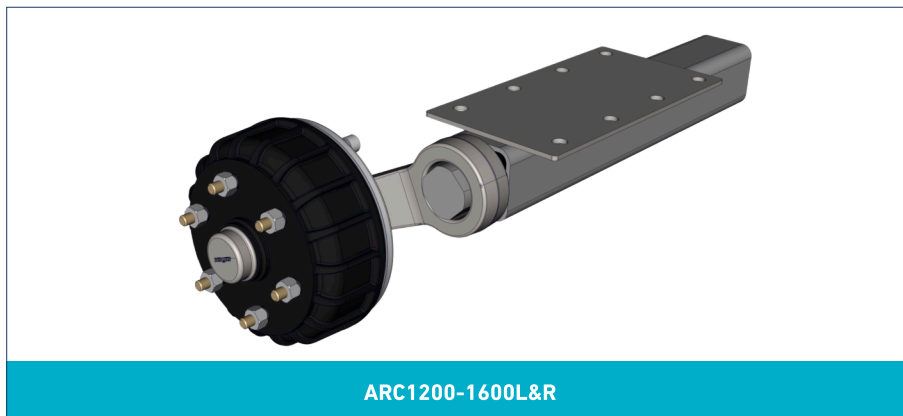
Prices are exclusive of VAT and subject to change without prior notice. (E & OE Notice - pg103)



# Rubbaride Stub Axles

## With Drum Brakes

Stock Code	Capacity	Stud Fixing	Brake Size	Brake Capacity	Price Per Stub
<b>ARC0900/1150L / ARC0900/1150R</b>	900kg to 1150kg (Pair)	Optional	200X50	1600kg	R 6,045.00
<b>ARC1200/1600L / ARC1200/1600R</b>	1200kg to 1600kg (Pair)	Optional	200X50	1600kg	R 6,295.00
<b>ARC1300/1800L / ARC1300/1800R</b>	1300kg to 1800kg (Pair)	Optional	250X40	1800kg	R 7,345.00
<b>ARC2000/2500L / ARC2000/2500R</b>	2000kg to 2500kg (Pair)	Optional	250X50	2500kg	R 11,860.00
<b>ARC3000/3500L / ARC3000/3500R</b>	3000kg to 3500kg (Pair)	6/205	250X50	2500kg	R 17,845.00



**ARC1200-1600L&R**

When two axles are to be used in tandem, the order must state it.

Where two axles are used in tandem without a load sharing mechanism, the carrying capacity of the combination is reduced by 17%. Price excludes brake cable.

Prices are exclusive of VAT and subject to change without prior notice. (E & OE Notice - pg103)



# Rubbaride Full Beam Axles

## With Drum Brakes

Stock Code	Capacity	Stud Fixing	Brake Size	Brake Capacity	Price Each
ARC0900/1150-1	900kg to 1150kg	Optional	200X50	1600kg	R 11,860.00
ARC1200/1600-1	1200kg to 1600kg	Optional	200X50	1600kg	R 12,595.00
ARC1300/1800-1	1300kg to 1800kg	Optional	250X40	1800kg	R 14,275.00
ARC2000/2500-1	2000kg to 2500kg	Optional	250X50	2500kg	R 23,095.00
ARC3000/3500-1	3000kg to 3500kg	6/160/205	305X80	3500kg	R 34,645.00



When two axles are to be used in tandem, the order must state it.

Where two axles are used in tandem without a load sharing mechanism, the carrying capacity of the combination is reduced by 17%. Price excludes brake cable.

Prices are exclusive of VAT and subject to change without prior notice. (E & OE Notice - pg103)





## Full Beam Axles Without Brakes

Stock Code	Load Capacity	Hub	Beam	H/H	Price Each
AF40A.H/H.01	900kg	4/61/100	Ø 40mm	Up to 1300mm	R 1,845.00
AF40A.H/H.01	900kg	4/61/100	Ø 40mm	1301mm to 1450mm	R 1,885.00
AF40A.H/H.01	900kg	4/61/100	Ø 40mm	1451mm to 1650mm	R 2,020.00
AF40A.H/H.01	900kg	4/61/100	Ø 40mm	1651mm to 1805mm	R 2,075.00
AF40A.H/H.01	900kg	4/61/100	Ø 40mm	1806mm to 2000mm	R 2,200.00
AF40A.H/H.01	900kg	4/61/100	Ø 40mm	2001mm to 2150mm	R 2,305.00
AF40A.H/H.01	900kg	4/61/100	Ø 40mm	2151mm to 2200mm	R 2,430.00
AF40A.H/H.01	900kg	4/61/100	Ø 40mm	2201mm to 2300mm	R 2,495.00
AF45A.H/H	1600kg	Optional	□ 45mm	Up to 1420mm	R 2,965.00
AF45A.H/H	1600kg	Optional	□ 45mm	1421mm to 1450mm	R 3,075.00
AF45A.H/H	1600kg	Optional	□ 45mm	1451mm to 1575mm	R 3,145.00
AF45A.H/H	1600kg	5/66/165	□ 45mm	1500mm	R 3,355.00
AF45A.H/H	1600kg	Optional	□ 45mm	1576mm to 1805mm	R 3,230.00
AF45A.H/H	1600kg	5/66/165	□ 45mm	1675mm	R 3,355.00
AF45A.H/H	1600kg	Optional	□ 45mm	1806mm to 1850mm	R 3,250.00
AF45A.H/H	1600kg	Optional	□ 45mm	1851mm to 1940mm	R 3,280.00
AF45A.H/H	1600kg	Optional	□ 45mm	1941mm to 2040mm	R 3,355.00
AF45A.H/H	1600kg	Optional	□ 45mm	2041mm to 2100mm	R 3,490.00
AF45A.H/H	1600kg	Optional	□ 45mm	2101mm to 2200mm	R 3,565.00
AF45A.H/H	1600kg	Optional	□ 45mm	2201mm to 2240mm	R 3,595.00
AF45A.H/H	1600kg	Optional	□ 45mm	2241mm to 2350mm	R 3,775.00



When two axles are to be used in tandem, the order must state it.

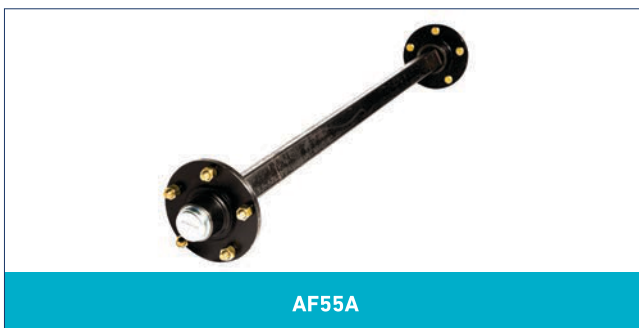
Where two axles are used in tandem without a load sharing mechanism, the carrying capacity of the combination is reduced by 17%.

Prices are exclusive of VAT and subject to change without prior notice. (E & OE Notice - pg103)



## Full Beam Axles Without Brakes

Stock Code	Load Capacity	Hub	Beam	H/H	Price Each
AF50A.H/H	2500kg	Optional	□ 50mm	Up to 1740mm	R 3,985.00
AF50A.H/H	2500kg	Optional	□ 50mm	1741mm to 1800mm	R 4,015.00
AF50A.H/H	2500kg	Optional	□ 50mm	1801mm to 1950mm	R 4,175.00
AF50A.H/H	2500kg	Optional	□ 50mm	1951mm to 2050mm	R 4,385.00
AF50A.H/H	2500kg	Optional	□ 50mm	2051mm to 2140mm	R 4,490.00
AF50A.H/H	2500kg	Optional	□ 50mm	2141mm to 2400mm	R 4,650.00
AF55A.H/H	3000kg	Optional	□ 55mm	1365mm to 1675mm	R 4,510.00
AF60A.H/H.05	4000kg	6/160/205	□ 60mm	Up to 1700mm	R 6,715.00
AF60A.H/H.05	4000kg	6/160/205	□ 60mm	1830mm	R 7,135.00
AF60A.H/H.05	4000kg	6/160/205	□ 60mm	2090mm	R 6,825.00
AF60A.H/H.05	4000kg	6/160/205	□ 60mm	2100mm	R 7,165.00
AF70A.H/H.05	6000kg	6/160.8/205	□ 70mm	1320mm to 1675mm	R 7,345.00
AF70A.H/H.05	6000kg	6/160.8/205	□ 70mm	1800mm to 2050mm	R 7,950.00



When two axles are to be used in tandem, the order must state it.

Where two axles are used in tandem without a load sharing mechanism, the carrying capacity of the combination is reduced by 17%.

Prices are exclusive of VAT and subject to change without prior notice. (E & OE Notice - pg103)



## Full Beam Axles With Brakes

Stock Code	Load Capacity	Hub	Beam	Brake	Brake Capacity	H/H	Price Each
AFC45A.H/H	1600kg	Optional	□ 45mm	200x50	1600kg	Up to 1500mm	R 6,190.00
AFC45A.H/H	1600kg	Optional	□ 45mm	200x50	1600kg	1501mm to 1675mm	R 6,295.00
AFC45A.H/H	1600kg	Optional	□ 45mm	200x50	1600kg	1676mm to 1740mm	R 6,505.00
AFC45A.H/H	1600kg	Optional	□ 45mm	200x50	1600kg	1741mm to 1965mm	R 6,610.00
AFC45A.H/H	1600kg	Optional	□ 45mm	200x50	1600kg	1966mm to 2200mm	R 6,715.00
AFC45A.H/H	1600kg	Optional	□ 45mm	200x50	1600kg	2201mm to 2360mm	R 6,820.00
AFC50B.H/H	1800kg	Optional	□ 50mm	250x40	1800kg	Up to 1570mm	R 8,975.00
AFC50B.H/H	1800kg	Optional	□ 50mm	250x40	1800kg	1571mm to 1900mm	R 9,340.00
AFC50B.H/H	1800kg	Optional	□ 50mm	250x40	1800kg	1901mm to 1980mm	R 9,655.00
AFC50B.H/H	1800kg	Optional	□ 50mm	250x40	1800kg	1981mm to 2240mm	R 9,865.00
AFC50B.H/H	1800kg	Optional	□ 50mm	250x40	1800kg	2241mm to 2320mm	R 10,075.00
AFC50A.H/H	2500kg	Optional	□ 50mm	250x50	2500kg	Up to 1940mm	R 9,865.00
AFC50A.H/H	2500kg	Optional	□ 50mm	250x50	2500kg	1941mm to 2350mm	R 10,495.00
AFC55A.H/H	3000kg	Optional	□ 55mm	250x50	2500kg	Up to 2300mm	R 11,020.00
AFC60A.H/H	3500kg	6/160/205	□ 60mm	305x80	3500kg	Up to 2100mm	R 24,780.00



When two axles are to be used in tandem, the order must state it.

Where two axles are used in tandem without a load sharing mechanism, the carrying capacity of the combination is reduced by 17%.

Prices are exclusive of VAT and subject to change without prior notice. (E & OE Notice - pg103)



# Full Beam Axles

## Without Brakes

Stock Code	Load Capacity	Hub	Beam	H/H	Price Each
AF55A.H/H	3000kg	Optional	□ 55mm	Up to 1675mm	R 4,510.00
AF60A.H/H.05	4000kg	6/160/205	□ 60mm	Up to 1700mm	R 6,715.00
AF60A.H/H.05	4000kg	6/160/205	□ 60mm	1701mm to 1830mm	R 7,135.00
AF60A.H/H.05	4000kg	6/160/205	□ 60mm	2090mm	R 6,825.00
AF60A.H/H.05	4000kg	6/160/205	□ 60mm	2091mm to 2100mm	R 7,165.00
AF70A.H/H.05	6000kg	6/160.8/205	□ 70mm	Up to 1675mm	R 7,345.00
AF70A.H/H.05	6000kg	6/160.8/205	□ 70mm	1676mm to 2050mm	R 7,950.00
AF80C	8000kg	8/220/275	□ 80mm	1800mm	R 13,960.00
AF80C	8000kg	8/220/275	□ 80mm	2150mm	R 13,120.00
AF90C	10000kg	10/275/335	□ 90mm	1800mm	R 18,370.00
AF100C.H/H	14000kg	10/275/335	□ 100mm	Up to 1850mm	R 22,460.00
AF100C.H/H	14000kg	10/275/335	□ 100mm	1851mm to 2050mm	R 23,725.00
AF100C.H/H	14000kg	10/275/335	□ 100mm	2051mm to 2200mm	R 23,830.00
AF100C.H/H	14000kg	10/275/335	□ 100mm	2201mm to 2250mm	R 24,040.00
AF100C.H/H	14000kg	10/275/335	□ 100mm	2251mm to 2300mm	R 24,145.00
AF100C.H/H	14000kg	10/275/335	□ 100mm	2301mm to 3300mm	R 26,875.00
AF127C.H/H	17000kg	10/275/335	∅ 127mm	Up to 2050mm	R 24,145.00
AF127C.H/H	17000kg	10/275/335	∅ 127mm	2051mm to 2200mm	R 24,460.00
AF127C.H/H	17000kg	10/275/335	∅ 127mm	2201mm to 2300mm	R 24,775.00
AF150C.H/H	17000kg	10/275/335	□ 150mm	Up to 2200mm	R 37,060.00
AF150C.H/H	17000kg	10/275/335	□ 150mm	2201mm to 2300mm	R 37,270.00

Prices are exclusive of VAT and subject to change without prior notice. (E & OE Notice - pg103)



## Full Beam Axles With Brakes-Burquip (Flat Cam)

Stock Code	Load Capacity	Hub	Beam	H/H	Brake Size	Price Each
AFB70C.1800.AM	6000kg	6/160.8/205	□ 70mm	1800mm	300X60	R 13,400.00
AFB80C.1800.06.AM	8000kg	8/220/275	□ 80mm	1800mm	300x90	R 18,785.00
AFB80C.2150.06.AM	8000kg	8/220/275	□ 80mm	2150mm	300x90	R 19,835.00
AFB90C.1800.10.AM	10000kg	10/275/335	□ 90mm	1800mm	400x80	R 26,260.00
AFB90C.1900.10.AM	10000kg	10/275/335	□ 90mm	1900mm	400x80	R 26,260.00
AFB100C.2050.10AM	14000kg	10/275/335	□ 100mm	2050mm	400x80	R 26,250.00
AFB100C.2200.10.AM	14000kg	10/275/335	□ 100mm	2200mm	400x80	R 27,300.00

## Full Beam Axles With Brakes-ADR (Flat Cam)

Stock Code	Load Capacity	Hub	Beam	H/H	Brake Size	Price Each
AFB70C.1700.ADR	6000kg	6/160.8/205	□ 70mm	1700mm	300X60	R 14,695.00
AFB70C.1800.ADR	6000kg	6/160.8/205	□ 70mm	1800mm	300X60	R 15,325.00
AFB80C.1800.06.ADR	8000kg	8/220/275	□ 80mm	1800mm	300x90	R 22,045.00
AFB80C.2150.06.ADR	8000kg	8/220/275	□ 80mm	2150mm	300x90	R 22,045.00
AFB90C.1800.10.ADR	10000kg	10/275/335	□ 90mm	1800mm	400x80	R 28,975.00
AFB100C.2050.10	14000kg	10/275/335	□ 100mm	2050mm	400x80	R 35,170.00
AFB100C.2200.10	14000kg	10/275/335	□ 100mm	2200mm	400x80	R 34,225.00



Price excludes brake cable.

Prices are exclusive of VAT and subject to change without prior notice. (E & OE Notice - pg103)



## Full Beam Axles With Brakes (S-CAM)

Stock Code	Load Capacity	Hub	Beam	H/H	Brake Size	Price Each
<b>AFB70AS6</b> Includes Manual Slack Adjusters	3500kg	6/160.8/205 Stud Mount	□ 70mm	1820mm Special: On Request	310X80	R 22,045.00
<b>AFB70AS6A</b> Includes Automatic Slack Adjusters	3500kg	6/160.8/205	□ 70mm	1820mm Special: On Request	310X80	
<b>AFB70AS6ABS</b> Includes ABS, Automatic Slack Adjusters	3500kg	6/160.8/205 Stud Mount	□ 70mm	1820mm Special: On Request	310X80	R 27,295.00
<b>AFB80CS8ABS</b> Includes ABS, Automatic Slack Adjusters	5000kg	8/220/275 Stud Mount	□ 80mm	1820mm	300X135	R 28,870.00
<b>AFB80CS8ABS.2150</b> Includes ABS, Automatic Slack Adjusters	5000kg	8/220/275 Stud Mount	□ 80mm	2150mm	300X135	R 29,395.00
<b>AFB127CS10.1920</b> Includes Automatic Slack Adjusters	13000kg	10/280/335 Spigot Mount*	Ø127mm	1920mm	420X180	R 38,845.00
<b>AFB127CS10ABS.1920</b> Includes ABS, Automatic Slack Adjusters	13000kg	10/280/335 Spigot Mount*	Ø127mm	1896mm	420X180	R 39,895.00

### Optional extras

Stock Code	Description	Price Each
<b>M22WS.122</b>	Longer studs for aluminium rim fitment (20 required per axle)	R 81.00



**AFB127CS10ABS.1920**

Prices are exclusive of VAT and subject to change without prior notice. (E & OE Notice - pg103)



# Transmission Components

Image	Stock Code	Description	Price
	<b>BC01</b>	Equaliser bracket tandem	R 221.00
	<b>BC02</b>	Equaliser bracket single	R 90.00
	<b>BCK1140</b> <b>BCK1440</b> <b>BCK1740</b>	Bell Inside Diameter: 18.5mm Brake cable 1140mm steel Brake cable 1440mm steel Brake cable 1740mm steel	R 225.00 R 225.00 R 225.00
	<b>BCK1140S</b> <b>BCK1440S</b> <b>BCK1740S</b>	Bell Inside Diameter: 18.5mm Brake cable 1140mm stainless steel Brake cable 1440mm stainless steel Brake cable 1740mm stainless steel	R 345.00 R 345.00 R 345.00
	<b>BCALK1120</b> <b>BCALK1350</b> <b>BCALK1650</b>	ALKO Spare Part   Bell ID: 23.5mm Brake cable 1120mm steel Brake cable 1350mm steel Brake cable 1650mm steel	R 225.00 R 225.00 R 225.00
	<b>BCK1168</b> <b>BCK1468</b> <b>BCK1745</b>	160/200/250gsm   Bell ID: 20.0mm Brake cable 1168mm steel Brake cable 1468mm steel Brake cable 1745mm steel	R 325.00 R 325.00 R 345.00
	<b>M10RB</b>	M10 threaded rod (3 meter lengths only)	R 100.00

Prices are exclusive of VAT and subject to change without prior notice. (E & OE Notice - pg103)

**M10X36DN**

Dome nut

R 31.00

**CHBL01**

Hand brake lever

R 920.00





## Bearing Kits

Kit	Components	Description	Qty	ID (mm)	OD (mm)	Grease Cap (i)	Application	Price Each
<b>BKIT01</b>	B30204	Bearing 30204	1	20.0	47.0	Ø 47mm	Burquip: AF40A AF38A	R 174.00
	B30205	Bearing 30205	1	25.0	52.0			
	OS30-52-7	Seal 30-52-7	1	30.0	52.0			
	M3.2X36SP	Split Pin 3.2X36	1	-	-			
<b>BKIT02</b>	B30205	Bearing 30205	1	25.0	52.0	Ø 52mm	Burquip: AF/AFC45A Pre- 2010 AF/AFC40A-1 AF/AFC38A-1	R 225.00
	B30206	Bearing 30206	1	30.0	62.0			
	OS38-62-7	Seal 38-62-7	1	38.0	62.0			
	M3.2X36SP	Split Pin 3.2X36	1	-	-			
<b>BKIT03</b>	B30206	Bearing 30206	1	30.0	62.0	Ø 62mm	Burquip: AF/AFC50A AF/AFC55A AFC50E	R 310.00
	B30208	Bearing 30208	1	40.0	80.0			
	OS48-80-10	Seal 48-80-10	1	48.0	80.0			
	M4X40SP	Split Pin 4X40	1	-	-			
<b>BKIT04</b>	B30205	Bearing 30205	1	25.0	52.0	Ø 52mm	Burquip: AF/AFC45A Post-2010 AF50C AFC50B	R 260.00
	B32007	Bearing 32007	1	35.0	62.0			
	OS42-62-7	Seal 42-62-7	1	42.0	62.0			
	M3.2X36SP	Split Pin 3.2X36	1	-	-			
<b>BKIT05</b>	B44649\10	Bearing 44610/49	1	27.0	50.0	Ø 50mm	Venter: 40mm Unbraked Axle 4/100  Rubax: Rhen Hub	R 265.00
	B67048\10	Bearing 67048/10	1	31.7	59.1			
	OS40-60-10	Seal 40-60-10	1	40.0	60.0			
	M4X40SP	Split Pin 4X40	1	-	-			
<b>BKIT06</b>	B44649\10	Bearing 44610/49	2	27.0	50.0	Ø 50mm	Venter: 40mm Square Unbraked 4/100 Mini Hub	R 190.00
	OS38-52-7	Bearing 38-52-7	1	38.0	52.0			
	M4X40SP	Spit Pin 4x40	1	-	-			

Prices are exclusive of VAT and subject to change without prior notice. (E & OE Notice - pg103)



Kit	Components	Description	Qty	ID (mm)	OD (mm)	Grease Cap (i)	Application	Price Each
<b>BKIT07</b>	B11749\10	Bearing 11749/10	1	17.0	40.0	Ø 48mm	Trailco: 40mm Braked Axle 40mm Unbraked Axle	R 195.00
	B45449\10	Bearing 45449/10	1	29.0	50.3			
	OS38-52-7	Seal 38-52-7	1	38.0	52.0			
	M3.2X36SP	Split Pin 3.2X36	1	-	-			
<b>BKIT08</b>	B11949\10	Bearing 11949/10	1	19.0	45.2	Ø 48mm	Trailco: 45mm Braked/ Unbraked Axle 5/114.3 or 4/100	R 205.00
	B67048\10	Bearing 67048/10	1	31.7	59.1			
	OS42-62-7	Seal 42-62-7	1	42.0	62.0			
	M3.2X36SP	Split Pin 3.2X36	1	-	-			
<b>BKIT09</b>	B32005	Bearing 32005	1	25.0	47.0	Ø 48mm	Trailco: 45mm Braked 6/139.7 50mm Round Unbraked 90 Braked Axle Short Nose	R 240.00
	B32007	Bearing 32007	1	35.0	62.0			
	OS42-62-7	Seal 42-62-7	1	42.0	62.0			
	M4X40SP	Split Pin 4X40	1	-	-			
<b>BKIT10</b>	B32006	Bearing 32006	1	30.0	55.0	Ø 55mm	Trailco: 50mm Square Unbraked 90 Braked Axle Long Nose	R 310.00
	B32008	Bearing 32008	1	40.0	68.0			
	OS45-72-10	Seal 45-72-10	1	45.0	72.0			
	M3.2X36SP	Split Pin 3.2X36	1	-	-			



Prices are exclusive of VAT and subject to change without prior notice. (E & OE Notice - pg103)



Kit	Components	Description	Qty	ID (mm)	OD (mm)	Grease Cap (i)	Application	Price Each
<b>BKIT11</b>	B44649\10	Bearing 44649/10	1	26.9	50.2	Ø 50mm	Venter 45SQ	R 310.00
	B48548\10	Bearing 48548/10	1	34.9	65.0			
	OS50-65-8	Seal 50-65-8	1	50.0	65.0			
	M4X40SP	Split Pin 4X40	1	-	-			
<b>BKIT12</b>	B30208	Bearing 30208	1	40.0	80.0	Ø 80mm	AF60A	R 405.00
	B30211	Bearing 30211	1	55.0	100.0			
	OS70-100-13	Seal 70-100-13	1	70.0	100.0			
	M5X70SP	Split Pin 5X70	1	-	-			
<b>BKIT13</b>	B30209	Bearing 30209	1	45.0	85.0	Ø 85mm	AF70A	R 435.00
	B30212	Bearing 30212	1	60.0	110.0			
	OS68-110-13	Seal 68-110-13	1	68.0	110.0			
	M5X70SP	Split Pin 5X70	1	-	-			



Prices are exclusive of VAT and subject to change without prior notice. (E & OE Notice - pg103)



## High Speed Trailer & Caravan Wheels 10" Rims

Stock Code	Type	Description	Stud Fixing	Off Set	Price
W10-4.5B-01	4.5B x 10	White spoked (SDC)	4/67/100	-5mm	R 615.00



## High Speed Trailer & Caravan Wheels 13" Rims

Stock Code	Type	Description	Stud Fixing	Off Set	Price
W13-4.5J-01I	4.5J x 13	White spoked (SDC)	4/67/100	0mm	R 520.00
W13-4.5J-02I	4.5J x 13	White spoked (SDC)	5/72.5/114.3	0mm	R 520.00
W13-4.5J-01G	4.5J x 13	Galvanised spoked (SDC)	4/67/100	0mm	R 760.00
W13-4.5J-01IS	4.5J x 13	Silver spoked (SDC)	4/67/100	0mm	R 520.00



Prices are exclusive of VAT and subject to change without prior notice. (E & OE Notice - pg103)



## High Speed Trailer & Caravan Wheels 14" Rims

Stock Code	Type	Description	Stud Fixing	Off Set	Price
W14-6.0J-01I	6.0J x 14	White spoked (SDC)	4/67/100	14mm	R 710.00
W14-6.0J-02I	6.0J x 14	White spoked (SDC)	5/83.5/114.3	14mm	R 710.00
W14-6.0J-02G	6.0J x 14	Galvanised spoked (SDC)	5/83.5/114.3	14mm	R 975.00
W14-6.0J-02IS	6.0J x 14	Silver spoked (SDC)	5/83.5/114.3	14mm	R 710.00
W14-6.0J-04I	6.0J x 14	White spoked (SDC)	6/108.9/139.7	14mm	R 710.00
W14-6.0J-04G	6.0J x 14	Galvanised spoked (SDC)	6/108.9/139.7	14mm	R 975.00



## High Speed Trailer & Caravan Wheels 15" Rims

Stock Code	Type	Description	Stud Fixing	Off Set	Price
W15-7.0J-02I	7.0J x 15	White spoked (SDC)	5/83.5/114.3	3mm	R 975.00
W15-7.0J-04I	7.0J x 15	White spoked (SDC)	6/108.9/139.7	0mm	R 975.00
W15-7.0J-04G	7.0J x 15	Galvanised spoked (SDC)	6/108.9/139.7	0mm	R 1,360.00
W15-7.0J-04IB	7.0J x 15	Black spoked (SDC)	6/108.9/139.7	0mm	R 975.00
W15-7.0J-04IS	7.0J x 15	Silver spoked (SDC)	6/108.9/139.7	0mm	R 975.00



Prices are exclusive of VAT and subject to change without prior notice. (E & OE Notice - pg103)



## High Speed Trailer & Caravan Wheels 16" Rims

Stock Code	Type	Description	Stud Fixing	Off Set	Price
<b>W16-7.0J-04I</b>	7.0J x 16	White spoked (SDC)	6/108.9/139.7	5mm	R 1,340.00
<b>W16-7.0J-04IS</b>	7.0J x 16	Silver spoked (SDC)	6/108.9/139.7	5mm	R 1,340.00
<b>W16-5.5B-03</b>	5.5B x 16	Black solid (SDC)	5/110/165.1	0mm	R 1,360.00
<b>W16-6.0G-03C</b>	6.0G x 16	2 piece (SDC)	5/110/165.1	0mm	R 1,675.00
<b>W16-6.0G-05DC</b>	6.0G x 16	2 piece dual (SDC)	6/161/205	130mm	R 1,675.00
<b>W16-6.5H-05C</b>	6.5H x 16	2 piece (SDC)	6/161/205	0mm	R 2,290.00
<b>W16-7.0-05C</b>	7.0 x 16	2 piece (Flatbase)	6/161/205	0mm	R 2,390.00
<b>W16-7.0-06C</b>	7.0 x 16	2 piece (Flatbase)	8/221/275	0mm	R 2,390.00



W16-5.5B-03



W16-6.0G-05DC



W16-6.5H-05C



W16-7.0-06C

Prices are exclusive of VAT and subject to change without prior notice. (E & OE Notice - pg103)



## High Speed Trailer & Caravan Wheels 17.5" Rims

Stock Code	Type	Description	Stud Fixing	Off Set	Price
W17.5-6.75-05I	6.75 x 17.5	SDC	6/161/205	0mm	R 2,995.00
W17.5-6.75HC-06I	6.75x 17.5	Dual SDC	8/221/275	143mm	R 1,449.00



## High Speed Trailer & Caravan Wheels 20" Rims

Stock Code	Type	Description	Stud Fixing	Off Set	Price
W20-7.5V-05C	7.5V x 20	2 piece (Flatbase)	6/161/205	0mm	R 2,665.00
W20-7.5V-06C	7.5V x 20	2 piece (Flatbase)	8/221/275	0mm	R 2,665.00



Prices are exclusive of VAT and subject to change without prior notice. (E & OE Notice - pg103)



## High Speed Trailer & Caravan Wheels

### 22.5" Rims

Stock Code	Type	Description	Stud Fixing	Off Set	Price
<b>W22.5-9.00-10</b>	9.00 x 22.5	Spigot Mount Dual SDC	10/281/335	175mm	R 2,740.00
<b>W22.5-9.00-10T</b>	9.00 x 22.5	Stud Mount Dual SDC	10/281/335	175mm	R 2,250.00
<b>W22.5-11.75-10</b>	11.75 x 22.5	Super Single (SDC)	10/281/335	0mm	R 3,675.00



W22.5-9.00-10



W22.5-11.75-10





## Rim & Tyre Combos

### 13" Combos

Stock Code	Tyre Size	Rim Description	Ply Rating	Load Rating	Overall Ø	Stud Fixing	Price
WT13-155-01	155/80 x 13	4.5J x 13 White	6	437kg	578mm	4/67/100	R 1,150.00
WT13-155-01G	155/80 x 13	4.5J x 13 Galvanised	6	437kg	578mm	4/67/100	R 1,330.00
WT13-155-02	155/80 x 13	4.5J x 13 White	6	437kg	578mm	5/72.5/114.3	R 1,150.00



## Rim & Tyre Combos

### 14" Combos

Stock Code	Tyre Size	Rim Description	Ply Rating	Load Rating	Overall Ø	Stud Fixing	Price
WT14-195-01	195R14C	6.0J x 14 White	8	900kg	668mm	4/67/100	R 1,990.00
WT14-195-02	195R14C	6.0J x 14 White	8	900kg	668mm	5/83.5/114.3	R 1,990.00
WT14-195-02G	195R14C	6.0J x 14 Galvanised	8	900kg	668mm	5/83.5/114.3	R 2,180.00
WT14-195-04	195R14C	6.0J x 14 White	8	900kg	668mm	6/108.9/139.7	R 1,990.00
WT14-195-04G	195R14C	6.0J x 14 Galvanised	8	900kg	668mm	6/108.9/139.7	R 2,180.00



Prices are exclusive of VAT and subject to change without prior notice. (E & OE Notice - pg103)



## Rim & Tyre Combos

### 15" Combos

Stock Code	Tyre Size	Rim Description	Ply Rating	Load Rating	Overall Ø	Stud Fixing	Price
WT15-225-04G	225/70R15C	7.0J x 15 Galvanised	8	1120kg	697mm	6/108.9/139.7	R 2,705.00
WT15-225-04	225/70R15C	7.0J x 15 White	8	1120kg	697mm	6/108.9/139.7	R 2,410.00



## Rim & Tyre Combos

### 16" Combos

Stock Code	Tyre Size	Rim Description	Ply Rating	Load Rating	Overall Ø	Stud Fixing	Price
WT16-7.50-6.5H-05	7.50 x 16	6.5H x 16 Black 2 PC	12	1400kg	808mm	6/161/205	R 3,540.00
WT16-7.50-6.0G-03	7.50 x 16	6.0G x 16 Black 2 PC	12	1400kg	808mm	5/110/165.1	R 3,380.00



Prices are exclusive of VAT and subject to change without prior notice. (E & OE Notice - pg103)



## Agricultural Tractor & Implement Wheels 14" Rims

Stock Code	Type	Description	Stud Fixing	Off Set	Price
W14-5.0J-03L	5.0J x 14	SDC	5/110/165.1	0mm	R 1,165.00



## Agricultural Tractor & Implement Wheels 15" Rims

Stock Code	Type	Description	Stud Fixing	Off Set	Price
W15-6.0J-03L	6.0J x 15	SDC	5/110/165.1	0mm	R 1,445.00
W15-8.0W-03L	8.0W x 15	SDC	5/110/165.1	0mm	R 1,870.00
W15-8.0W-05L	8.0W x 15	SDC	6/161/205	0mm	R 1,870.00



Prices are exclusive of VAT and subject to change without prior notice. (E & OE Notice - pg103)



## Agricultural Tractor & Implement Wheels 15.5" Rims

Stock Code	Type	Description	Stud Fixing	Off Set	Price
W15.5-13.0-05L	13.0 x 15.5	SDC	6/161/205	0mm	R 3,539.00



## Agricultural Tractor & Implement Wheels 16" Rims

Stock Code	Type	Description	Stud Fixing	Off Set	Price
W16-8.0W-05L	8.0W x 16	SDC	6/161/205	0mm	R 3,345.00



Prices are exclusive of VAT and subject to change without prior notice. (E & OE Notice - pg103)



## Agricultural Tractor & Implement Wheels

### 18" Rims

Stock Code	Type	Description	Stud Fixing	Off Set	Price
W18-9.0-05L	9.0 x 18	SDC	6/161/205	0mm	R 2,410.00
W18-11.0-05L	11.0 x 18	SDC	6/161/205	0mm	R 2,935.00
W18-11.0-06L	11.0 x 18	SDC	8/221/275	0mm	R 3,145.00



W18-11.0-05L



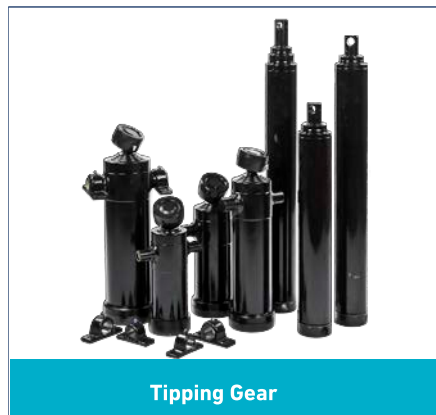
W18-11.0-06L



# Hydraulic Cylinders

## Base Pin Mounted Cylinders (Tipping)

Stock Code	Thrust (100 bar)	Stages	Closed Centers	Stroke	Pin Hole Ø	Barrel Ø	Price Each
DW265	7.3 / 3.9	2	673mm	969mm	25.80mm	105mm	R 6,800.00
DW345	7.3 / 3.9	2	876mm	1375mm	25.80mm	105mm	R 7,135.00
DW365	7.3 / 4.6 / 3.1	3	924mm	1993mm	25.80mm	105mm	R 10,495.00
DW385	9.3 / 6.3	2	914mm	1403mm	32.50mm	120mm	R 9,340.00
DW265CL	6.4 / 3.9	2	673mm	969mm	25.80mm	105mm	R 7,345.00
DW345CL	6.4 / 3.9	2	876mm	1375mm	25.80mm	105mm	R 8,395.00
DW365CL	6.4 / 3.9 / 2	3	924mm	1993mm	25.80mm	105mm	R 11,545.00
DW385CL	8 / 5.1	2	914mm	1403mm	32.50mm	120mm	R 10,495.00
DW626C	9.3 / 6.3	2 (Chromed)	775mm	1075mm	31.75mm	120mm	R 13,855.00
DW1111C	13/9/5	3 (Chromed)	1245mm	2821mm	31.75mm	120mm	R 18,475.00

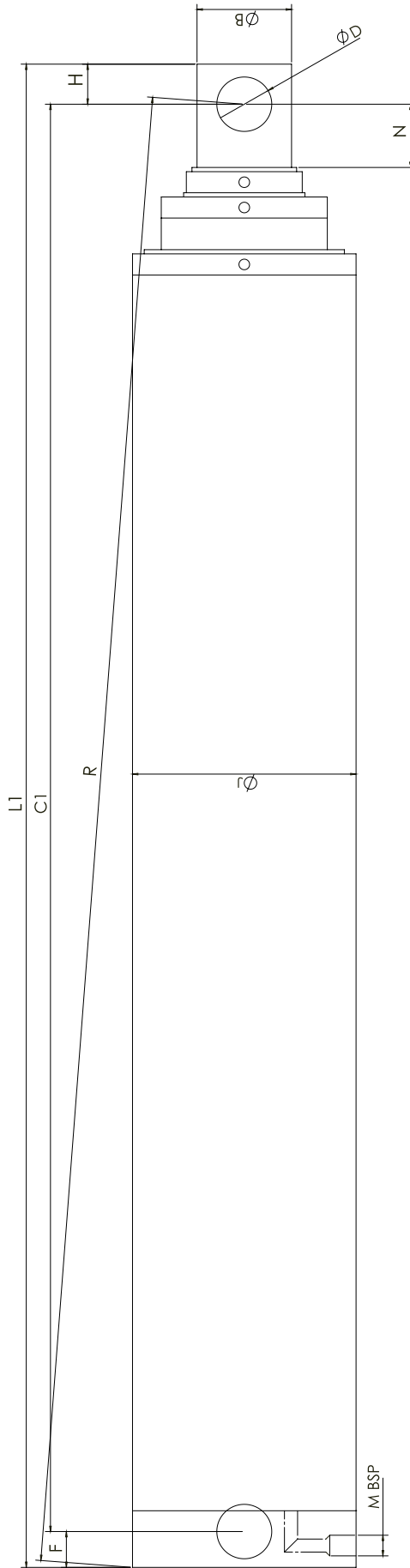


Tipping Gear

Prices are exclusive of VAT and subject to change without prior notice. (E & OE Notice - pg103)



Base Pin Mounted Cylinders (Tipping)



Piston Diameters & Thrust at 100 bar

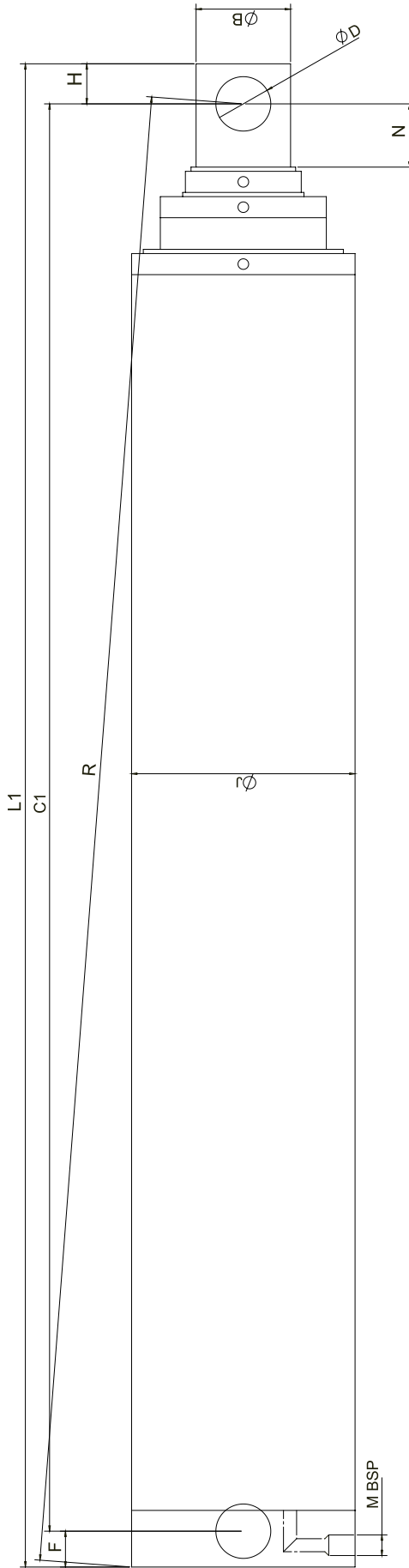
Stock Code	Stages	Ø60.30	Ø69.85	Ø76.20	Ø88.90	Ø95.25	Ø107.95	9330kg	Mass	Oil Vol	Seal Kit Code	ØB (mm)	C1 (mm)	ØD (mm)	F (mm)	H (mm)	N (mm)	ØJ (mm)	L1	M	R
DW265	2		●		●				24.5kg	4.5ℓ	DWSK265	44.45	673	25.8	20	19	45	105	712	1/2"	695
DW345	2		●		●				31.0kg	7.6ℓ	DWSK265	44.45	876	25.8	20	19	45	105	915	1/2"	898
DW365	3	●			●				38.0kg	9.8ℓ	DWSK365	44.45	924	25.8	20	19	72	105	963	1/2"	946
DW626C	2				●		●		38.0kg	8.4	DWSK626	50.80	775	32.5	22	22	75	120	819	1/2"	800
DW385	2				●		●		41.0kg	10.9ℓ	DWSK626	50.80	914	32.5	22	22	50	120	958	1/2"	938
DW1111C	3		●		●		●		43.2kg	18.6ℓ	DWSK1111	50.0	1245	31.75	22	22	109	120	1289	1/2"	1268

Note: Maximum Pressure 180Bar

Prices are exclusive of VAT and subject to change without prior notice. (E & OE Notice - pg103)



Base Pin Mounted Cylinders (Tipping)



Piston Diameters & Thrust at 100 bar

Stock Code	Stages	Mass	Oil Vol	Seal Kit Code	ØB (mm)	C1 (mm)	ØD (mm)	F (mm)	H (mm)	N (mm)	ØJ (mm)	L1	M	R
DW265CL	2	25.8kg	4.5ℓ	DWSK265L	44.45	673	25.8	20	19	45	105	712	1/2"	695
DW345CL	2	32.8kg	7.6ℓ	DWSK345L	44.45	876	25.8	20	19	45	105	915	1/2"	898
DW365CL	3	40.8kg	9.8ℓ	DWSK365L	44.45	924	25.8	20	19	72	105	963	1/2"	946
DW385CL	2	44.1kg	10.9ℓ	DWSK626L	50.80	914	32.5	22	22	50	120	958	1/2"	938

Note: Maximum Pressure 210Bar

Prices are exclusive of VAT and subject to change without prior notice. (E & OE Notice - pg103)





## Center Trunnion Mounted Cylinders (Tipping)

Stock Code	Thrust (100bar)	Stages	Stroke	Trunnions	Price Each
DD3032G	6/4/2	3	700mm	DDT35	R 8,920.00
DD3044G	8/6/4/2	4	1050mm	DDT40	R 12,490.00
DD3047G	8/6/4/2	4	1510mm	DDT40	R 13,435.00
DD3055G	12/8/6/4/2	5	2150mm	DDT45	R 19,945.00
DD4050G	16/12/8/6/3	5	1900mm	DDT50	R 26,245.00
DD4052G	21/16/12/8/6	5	2100mm	DDT50	R 32,545.00

## Center Trunnion Mounted Cylinders - Chrome (Tipping)

Stock Code	Thrust (100bar)	Stages	Stroke	Trunnions	Price Each
DD3032LG	6/4/2	3	683mm	DDT35L	R 6,400.00
DD3044LG	8/6/4/2	4	1050mm	DDT40L	R 8,605.00
DD3047LG	8/6/4/2	4	1510mm	DDT40L	R 9,970.00
DD3055LG	12/8/6/4/2	5	2130mm	DDT45L	R 13,225.00
DD4050LG	16/12/8/6/3	5	1870mm	DDT50L	R 17,425.00

**NOTES:**

Maximum operating pressure: 180 bar (2600PSI).

Prices include two (2) trunnion brackets.

**Guarantee only valid if cylinder is used with a cradle.**

## Cradles for Center Trunnion Mounted Cylinders (Tipping)

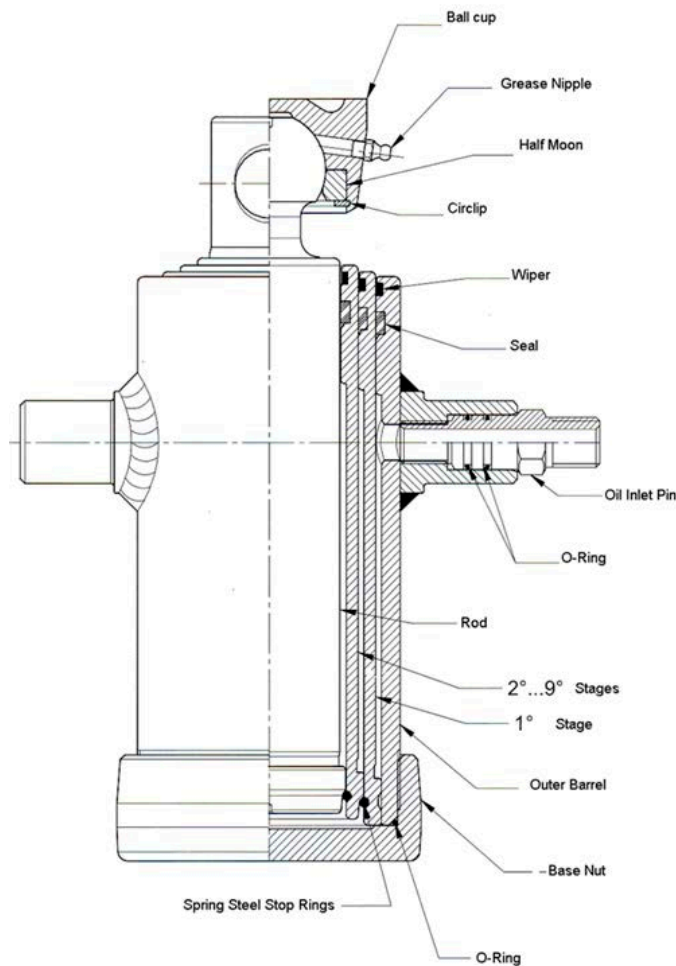
**SUPPORTED CYLINDERS**

Stock Code	DD3032	DD3044	DD3047	DD3055	DD4050	DD4052	Trunnions	Price Each
DDC2	●						DDT40	R 2,515.00
DDC3		●	●				DDT40	R 2,620.00
DDC4				●			DDT50	R 3,355.00
DDC5					●		DDT50	R 7,975.00
DDC6						●	DDT50	R 9,235.00

Prices are exclusive of VAT and subject to change without prior notice. (E & OE Notice - pg103)



## Center Trunnion Mounted Cylinders (Tipping) : Specifications

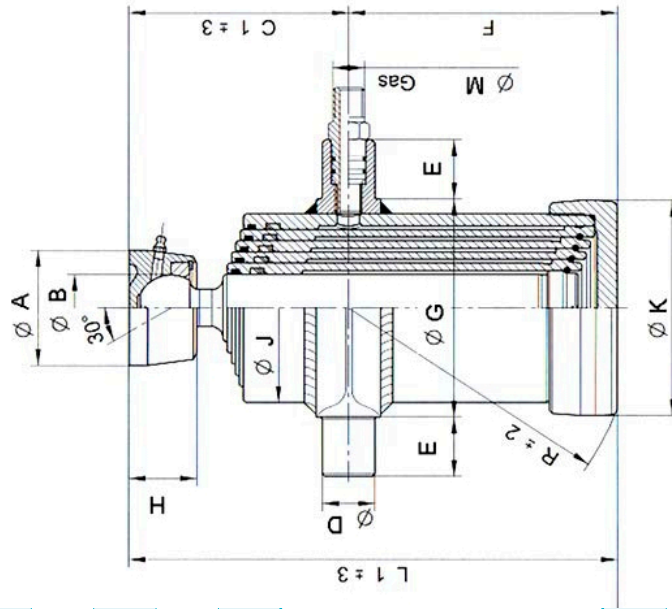


Stock Code	Mass	Oil Vol.	Ball Joint Code	Hyd. Fitt. Code	Seal Kit Code	Cradle Code	Trunnion Code	Individual Stage Length
<b>DD3032</b>	26.0kg	3.3ℓ	DDBJ55	DDHF1/2	DDSK3032	DDC2	DDT35	300mm
<b>DD3044</b>	33.5kg	6.2ℓ	DDBJ55	DDHF1/2	DDSK3044/47	DDC3	DDT40	335mm
<b>DD3047</b>	43.0kg	8.8ℓ	DDBJ55	DDHF1/2	DDSK3044/47	DDC3	DDT40	450mm
<b>DD3055</b>	67.0kg	15.5ℓ	DDBJ55	DDHF1/2	DDSK3055	DDC4	DDT45	500mm
<b>DD4050</b>	81.5kg	18.2ℓ	DDBJ65	DDHF3/4	DDSK4050/51	DDC5	DDT50	450mm
<b>DD4052</b>	94.5kg	28.2ℓ	DDBJ65	DDHF3/4	DDSK4052	DDC6	DDT50	500mm



Center Trunnion Mounted Cylinders (Tipping)

Stock Code	ØA (mm)	ØB (mm)	C1 (mm)	ØD (mm)	E (mm)	F (mm)	ØG (mm)	H (mm)	ØJ (mm)	ØK (mm)	L1 (mm)	M BSP GAS	R (mm)
DD3032	95	55	147	35	40	250	135	55	112	128	397	1/2"	260
DD3044	95	55	157	40	40	280	150	55	124	144	437	1/2"	290
DD3047	95	55	157	40	40	395	150	55	124	144	552	1/2"	405
DD3055	95	55	165	45	45	445	175	55	152	172	610	1/2"	455
DD4050	107	65	245	50	45	320	210	60	170	200	565	3/4"	335
DD4052	107	65	245	50	45	370	230	60	190	220	615	3/4"	390

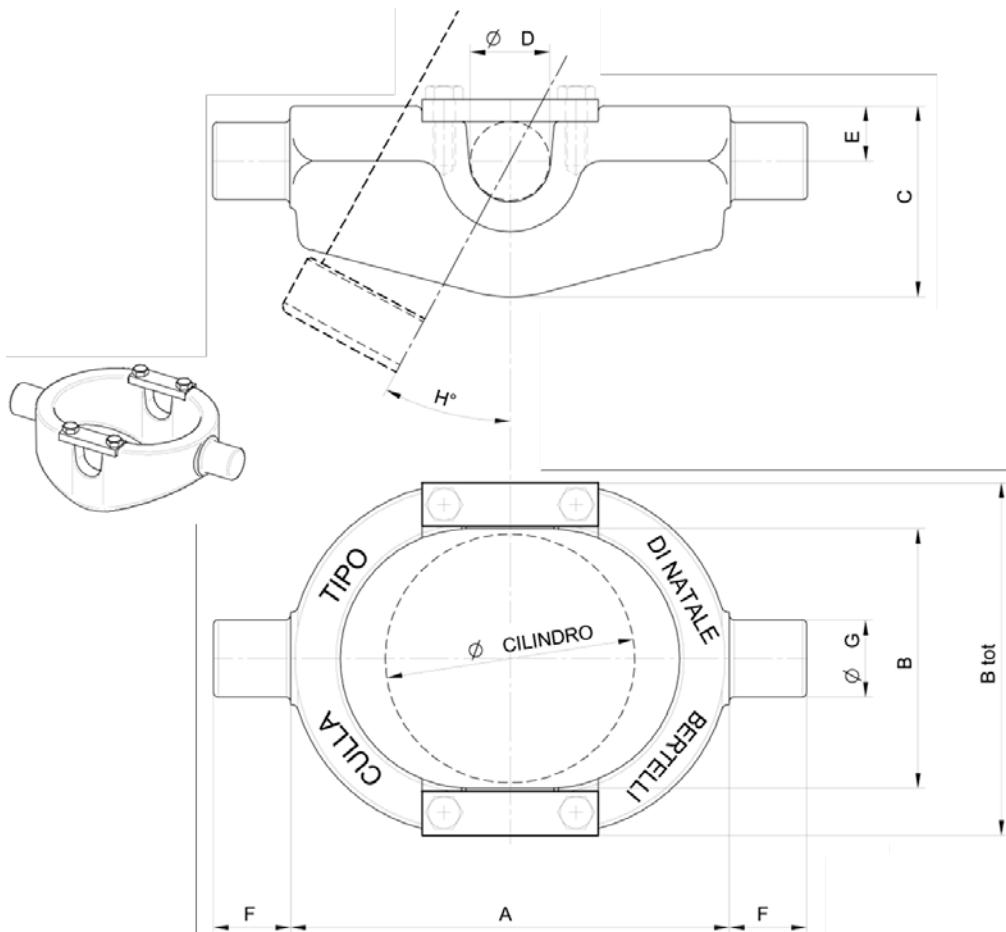


Piston Diameters (mm) & Thrust at 180 bar

Stock Code	Stages	Stroke	Ø61	Ø68	Ø76	Ø88	Ø91	Ø107	Ø126	Ø145	Ø165
DD3032	3	683mm	●		●		●				38400kg
DD3044	4	1050mm	●		●		●	●			29700kg
DD3047	4	1510mm	●		●		●	●			22400kg
DD3055	5	2130mm	●		●		●	●	●		
DD4050	5	1870mm		●				●	●	●	
DD4052	5	2100mm						●	●	●	

Prices are exclusive of VAT and subject to change without prior notice. (E & OE Notice - pg103)

## Cradles for Center Trunnion Mounted Cylinder (Tipping)



Stock Code	A (mm)	B (mm)	B tot (mm)	C (mm)	ØD (mm)	E (mm)	F (mm)	ØG (mm)	H	ØCil. (mm)	Load	Mass
DDC2	230	135	195	97	35	28	40	40	30°	112	10T	9.0kg
DDC3	230	155	215	107	40	31	40	40	30°	121	16T	10.5kg
DDC4	230	185	240	125	45	40	45	50	30°	150	20T	15.0kg
DDC5	330	215	290	165	50	45	55	50	30°	170	22T	22.0kg
DDC6	330	235	310	205	50	65	55	50	30°	190	23T	29.0kg

Prices are exclusive of VAT and subject to change without prior notice. (E & OE Notice - pg103)

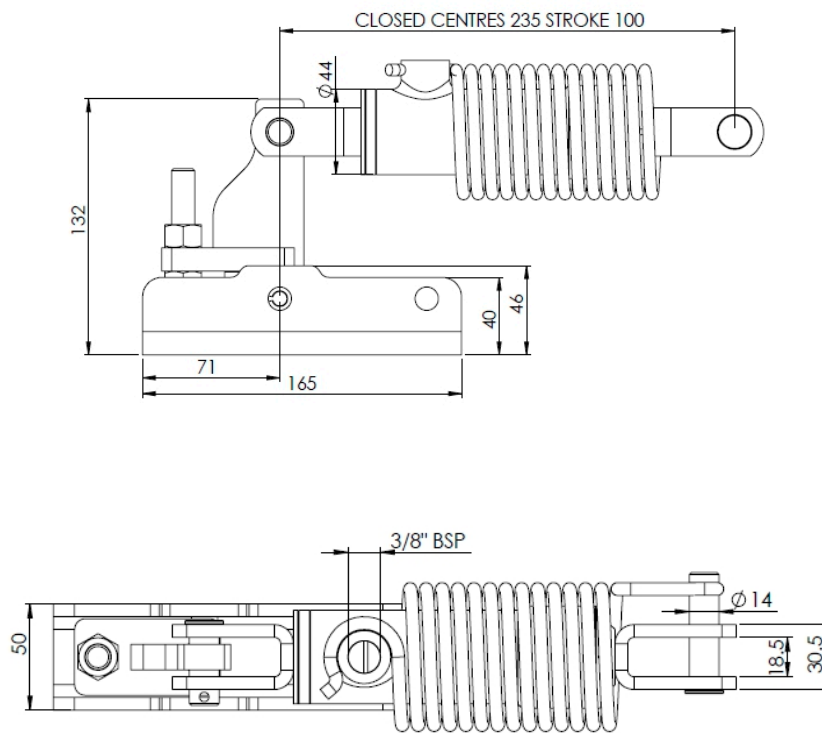


## Hydraulic Cylinder Assembly

Stock Code	Description	Price Each
DC366	Hydraulic brake cylinder for axle braking - low speed	R 1,544.00
DC366C	Brake Ram Only - 30mm Rod	R 985.00

**NOTES:**

The cylinder should be parallel  $\pm 5^\circ$  to the base plate when connected to the brake lever of the axle in order to achieve the correct spring preload.



DC366

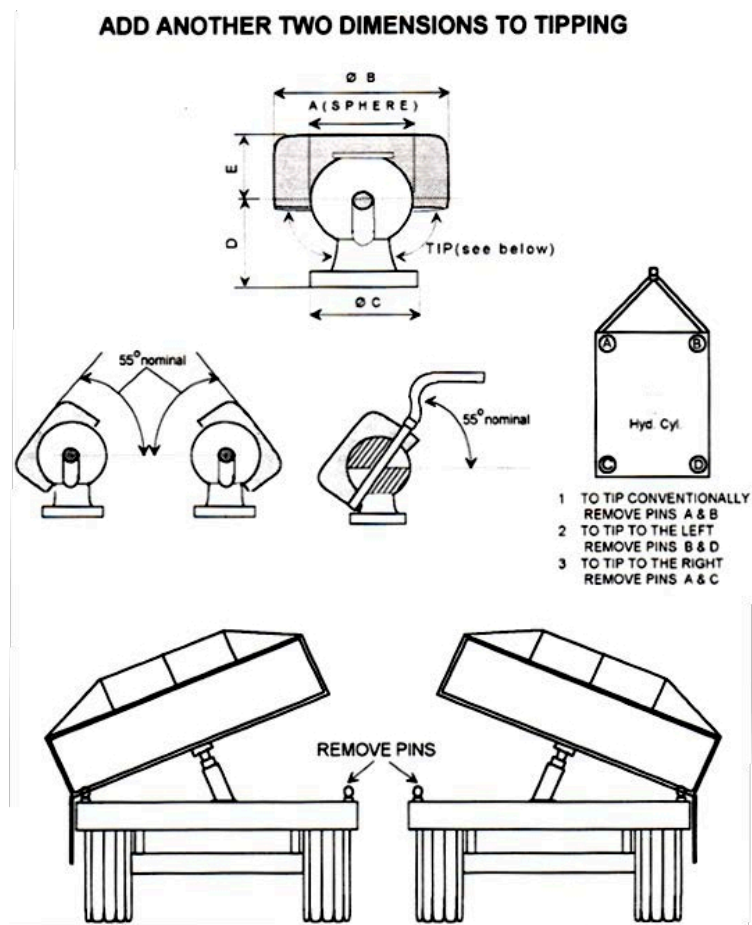


DC366C



## Ball & Socket Tipping Joint

Stock Code	Max Load	ØA (mm)	ØB (mm)	ØC (mm)	D	E	Tipping Angle	Price Each
DTBS01	5000kg	77.5	104	66	69	45	55° (nominal)	R 1,166.00





# Tie-Rod Cylinders

Stock Code	Description	Price Each
DC2-2006TR	Tie-Rod cylinder - 2006TR	R 1,615.00
DC2-2008-ASAE-TR	Tie-Rod cylinder - 2008-ASAE-TR	R 1,735.00
DC2-2010TR	Tie-Rod cylinder - 2010TR	R 1,735.00
DC2-2012TR	Tie-Rod cylinder - 2012TR	R 1,890.00
DC2-2014TR	Tie-Rod cylinder - 2014TR	R 1,945.00
DC2-2016TR	Tie-Rod cylinder - 2016TR	R 1,995.00
DC2-2018TR	Tie-Rod cylinder - 2018TR	R 2,105.00
DC2-2020TR	Tie-Rod cylinder - 2020TR	R 2,175.00
DC2-2024TR	Tie-Rod cylinder - 2024TR	R 2,270.00
DC2-3006TR	Tie-Rod cylinder - 3006TR	R 1,990.00
DC2-3008-ASAE-TR-1.5	Tie-Rod cylinder - 3008-ASAE-TR	R 2,395.00
DC2-3010TR-1.5	Tie-Rod cylinder - 3010TR	R 2,355.00
DC2-3012TR-1.5	Tie-Rod cylinder - 3012TR	R 2,505.00
DC2-3014TR-1.5	Tie-Rod cylinder - 3014TR	R 2,520.00
DC2-3016TR-1.5	Tie-Rod cylinder - 3016TR	R 2,660.00
DC2-3018TR-1.5	Tie-Rod cylinder - 3018TR	R 2,905.00
DC2-3020TR-1.5	Tie-Rod cylinder - 3020TR	R 3,110.00
DC2-3024TR-1.5	Tie-Rod cylinder - 3024TR	R 3,205.00
DC2-3028TR	Tie-Rod cylinder - 3028TR	R 3,430.00
DC2-3030TR	Tie-Rod cylinder - 3030TR	R 3,500.00
DC2-3036TR	Tie-Rod cylinder - 3036TR	R 3,915.00
DC2-4008-ASAE-TR	Tie-Rod cylinder - 4008-ASAE-TR	R 3,145.00
DC2-4010TR	Tie-Rod cylinder - 4010TR	R 3,565.00
DC2-4012TR-2	Tie-Rod cylinder - 4012TR	R 3,775.00
DC2-4014TR	Tie-Rod cylinder - 4014TR	R 3,565.00
DC2-4016TR	Tie-Rod cylinder - 4016TR	R 3,775.00

Prices are exclusive of VAT and subject to change without prior notice. (E & OE Notice - pg103)



## Tie-Rod Cylinders

Stock Code	Description	Price Each
DC2-4018TR	Tie-Rod cylinder - 4018TR	R 4,305.00
DC2-4020TR	Tie-Rod cylinder - 4020TR	R 4,090.00
DC2-4024TR	Tie-Rod cylinder - 4024TR	R 4,950.00
DC2-4028TR	Tie-Rod cylinder - 4028TR	R 5,115.00
DC2-4030TR	Tie-Rod cylinder - 4030TR	R 5,500.00
DC2-4036TR	Tie-Rod cylinder - 4036TR	R 6,055.00

## Tie-Rod Seal Kits

Stock Code	Description	Price Each
DC2SKIT2.01	2" Bore & 1-1/8" Rod Seal Kit	R 835.00
DC2SKIT3.01	3" Bore & 1-1/4" Rod Seal Kit	R 867.00
DC2SKIT3.02	3" Bore & 1-1/2" Rod Seal Kit	R 867.00
DC2SKIT4.01	4" Bore & 1-1/2" Rod Seal Kit	R 867.00
DC2SKIT4.02	4" Bore & 2" Rod Seal Kit	R 867.00

Prices are exclusive of VAT and subject to change without prior notice. (E & OE Notice - pg103)





## Specifications

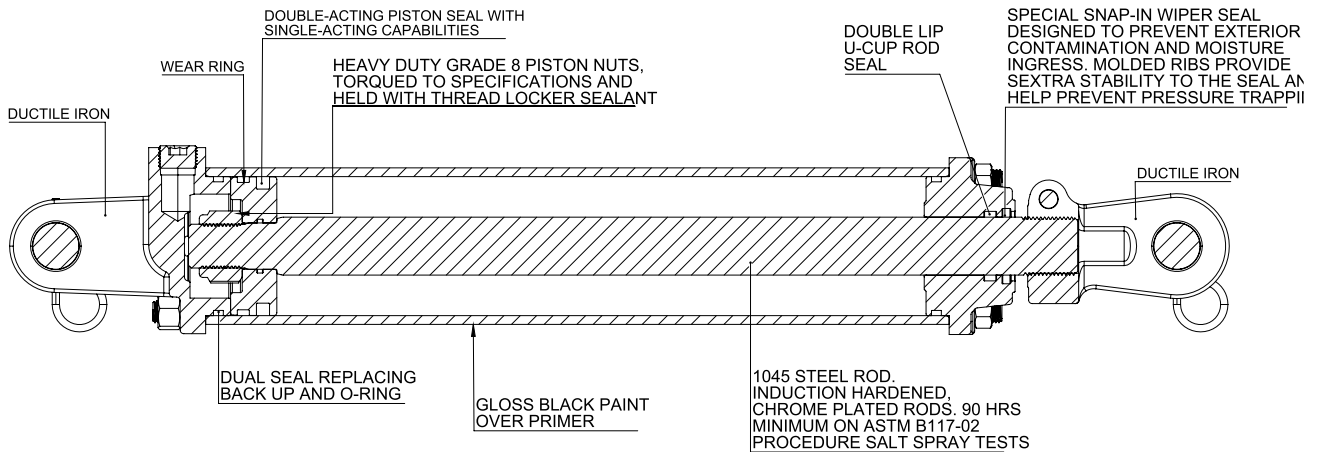
Stock Code	Rod Diameter	Bore (mm)	Stroke (mm)	Closed Center (mm)	Open Center (mm)	Max Load (kg)	Pressure (bar)
DC2-2006TR	1.125"/ 28.575mm	50.8	152	413	565	3510	172
DC2-2008-ASAE-TR	1.125"/ 28.575mm	50.8	203	514	718	3560	172
DC2-2010TR	1.125"/ 28.575mm	50.8	254	514	768	3560	172
DC2-2012TR	1.125"/ 28.575mm	50.8	305	565	870	3561	172
DC2-2014TR	1.125"/ 28.575mm	50.8	356	616	972	3561	172
DC2-2016TR	1.125"/ 28.575mm	50.8	406	667	1073	3561	172
DC2-2018TR	1.125"/ 28.575mm	50.8	457	718	1175	3560	172
DC2-2020TR	1.125"/ 28.575mm	50.8	508	768	1276	3561	172
DC2-2024TR	1.125"/ 28.575mm	50.8	610	870	1480	3561	172
DC2-3006TR	1.25"/ 31.75mm	76.2	152	413	565	8015	172
DC2-3008-ASAE-TR-1.5	1.5"/ 38.1mm	76.2	203	514	719	8015	172
DC2-3010TR-1.5	1.5"/ 38.1mm	76.2	254	514	769	8015	172
DC2-3012TR-1.5	1.5"/ 38.1mm	76.2	305	565	870	8015	172
DC2-3014TR-1.5	1.5"/ 38.1mm	76.2	356	616	971	8015	172
DC2-3016TR-1.5	1.5"/ 38.1mm	76.2	406	667	1072	8015	172
DC2-3018TR-1.5	1.5"/ 38.1mm	76.2	457	718	1173	5756	172
DC2-3020TR-1.5	1.5"/ 38.1mm	76.2	508	768	1278	4890	172
DC2-3024TR-1.5	1.5"/ 38.1mm	76.2	610	870	1480	3651	172
DC2-3028TR	1.5"/ 38.1mm	76.2	711	972	1683	3651	172
DC2-3030TR	1.5"/ 38.1mm	76.2	762	1022	1787	3729	172
DC2-3036TR	1.5"/ 38.1mm	76.2	914	1175	2090	3729	172
DC2-4008-ASAE-TR	2"/ 50.8mm	101.6	203	514	717	14247	172
DC2-4010TR	2"/ 50.8mm	101.6	254	514	769	14250	172
DC2-4012TR-2	2"/ 50.8mm	101.6	305	565	870	14250	172
DC2-4014TR	2"/ 50.8mm	101.6	356	616	972	14247	172
DC2-4016TR	2"/ 50.8mm	101.6	406	667	1073	14247	172

Prices are exclusive of VAT and subject to change without prior notice. (E & OE Notice - pg103)



## Specifications

Stock Code	Rod Diameter	Bore (mm)	Stroke (mm)	Closed Center (mm)	Open Center (mm)	Max Load (kg)	Pressure (bar)
DC2-4018TR	2" / 50.8mm	101.6	457	718	1175	14247	172
DC2-4020TR	2" / 50.8mm	101.6	508	768	1276	14247	172
DC2-4024TR	2" / 50.8mm	101.6	610	870	1480	14247	172
DC2-4028TR	2" / 50.8mm	101.6	711	972	1683	14247	172
DC2-4030TR	2" / 50.8mm	101.6	762	1022	1784	14247	172
DC2-4036TR	2" / 50.8mm	101.6	914	1175	2089	14247	172



All cylinders tested at 207 bar.



# Turntables

Stock Code	Max Load	Speed Rating	Outside Ø	Inner Ø	Height	Price Each
TL1-0400	400kg	Up to 25km/h	400mm	300mm	55mm	R 2,305.00
TL1-0650	1 100kg	Up to 40km/h	650mm	550mm	55mm	R 3,145.00
TL2-0900	3 500kg	Up to 40km/h	900mm	780mm	65mm	R 4,195.00
TL2-1050	5 000kg	Up to 40 km/h	1050mm	925mm	70mm	R 4,930.00
TL3-1100	6 500kg	Up to 40km/h	1100mm	970mm	80mm	R 5,245.00
TL4-1100T	12 000kg	Up to 105km/h	1100mm	949mm	90mm	R 8,815.00
TL5-1100	10 000kg	Up to 40km/h	1100mm	950mm	90mm	R 8,020.00
TL6-1100DT	20 000kg	Up to 105km/h	1100mm	940mm	92mm	R 10,495.00

**NOTES:**

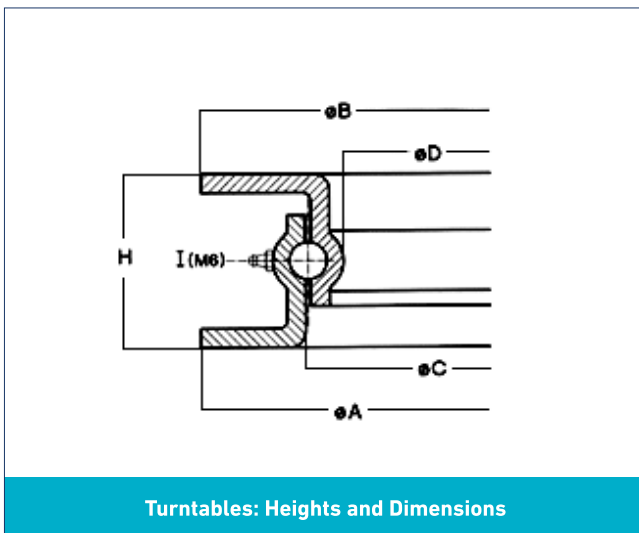
Guarantee will be void if ANY welding is done on turntables.



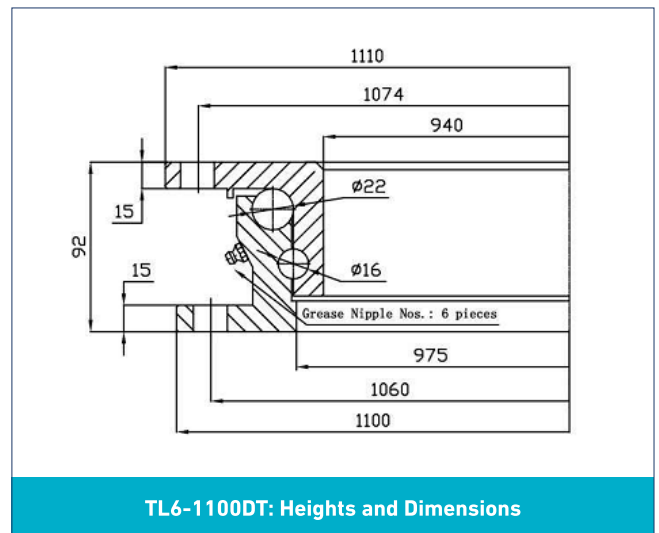


## Heights and dimensions

Stock Code	Ø A (mm)	Ø B (mm)	Ø C (mm)	Ø D (mm)	H (mm)	Ball Ø (mm)	Min. No. Mounting Bolts	Mounting Bolt Grade 8.8 (min)
TL1-0400	400	400	325	300	55	12.7	4	M12
TL1-0650	650	650	580	550	55	12.7	6	M12 or M14
TL2-0900	900	900	805	780	70	12.7	6	M14 or M16
TL2-1050	1050	1050	956	925	70	14.5	6	M14 or M16
TL3-1100	1100	1100	1000	970	80	16	8	M14 or M16
TL4-1100T	1100	1111	983	949	90	22	8	M18
TL5-1100	1100	1100	985	950	90	22.2	10	M14 or M16
TL6-1100DT	1100	1110	975	940	92	16 & 22	8	M18



Turntables: Heights and Dimensions



TL6-1100DT: Heights and Dimensions



## Complete PTO's 4S

Stock Code	Description	Price Each
PTO-T4S-YS-01B-01B.1000	T4 PTO Shaft 01B-01B 1000mm	R 1,675.00
PTO-T4S-YS-01B-01B.1200	T4 PTO Shaft 01B-01B 1200mm	R 1,675.00
PTO-T4S-YS-01B-01B.1500	T4 PTO Shaft 01B-01B 1500mm	R 1,990.00
PTO-T4S-YS-01B-FFV1.1000	T4 PTO Shaft 01B-FFV1 1000mm	R 2,725.00
PTO-T4S-YS-01B-FFV1.1200	T4 PTO Shaft 01B-FFV1 1200mm	R 2,830.00
PTO-T4S-YS-01B-FFV1.1500	T4 PTO Shaft 01B-FFV1 1500mm	R 3,040.00

## Complete PTO's 6S

Stock Code	Description	Price Each
PTO-T6S-YS-01B-01B.1000	T6 PTO Shaft 01B-01B 1000mm	R 2,410.00
PTO-T6S-YS-01B-01B.1200	T6 PTO Shaft 01B-01B 1200mm	R 2,305.00
PTO-T6S-YS-01B-01B.1500	T6 PTO Shaft 01B-01B 1500mm	R 2,305.00
PTO-T6S-YS-01B-FFV2.1000	T6 PTO Shaft 01B-FFV2 1000mm	R 3,355.00
PTO-T6S-YS-01B-FFV2.1200	T6 PTO Shaft 01B-FFV2 1200mm	R 3,880.00
PTO-T6S-YS-01B-FFV2.1500	T6 PTO Shaft 01B-FFV2 1500mm	R 3,880.00

Prices are exclusive of VAT and subject to change without prior notice. (E & OE Notice - pg103)



## PTO's - Spares 4S

Stock Code	Description	Price Each
PTOTP55X8	Tension Pin 55x8 S4 i/tube	R 12.00
PTOTP60X8	Tension Pin 60x8 S4 o/tube	R 4.00
PT04S-S-B47	S4 in/shield bearing	R 16.00
PT04S-S-B54	S4 out/shield bearing	R 16.00
PT04S-S-YS-INCONC-FFV	S4 inner shield cone YS for FFV	R 58.00
PT04S-S-YS-INCONE	S4 inner shield cone YS	R 58.00
PT04S-S-YS-OUTCONE	S4 outer shield cone YS	R 58.00
PT04S.01	Cross journal 74.6x27 S4	R 116.00
PT04S.0501B	S4 Splined QR yoke 108	R 237.00
PT04S.06	T4 O/Tube Yolk 92x43.4	R 268.00
PT04S.07	T4 i/tube yoke 92x36.1	R 289.00
PT04S.SB	S4 Shear bolt clutch 1480Nm	R 478.00
PT04S.RA1	S4 Overrun clutch 2400Nm	R 573.00



**PTO-T4S-YS-01B-01B.1000**

Prices are exclusive of VAT and subject to change without prior notice. (E & OE Notice - pg103)



## PTO's - Spares

### 6S

Stock Code	Description	Price Each
PTOTP70X10	Tension Pin 70x10 S6 i/tube	R 17.00
PTOTP80X10	Tension Pin 80x10 S6 o/tube	R 18.00
PT06S-S-B59.5	S6 in/shield bearing	R 23.00
PT06S-S-B68.5	S6 out/shield bearing	R 23.00
PT06S.FFV2.006	Clutch 6S-bushing	R 37.00
PT06S.FFV2.003	Clutch 6S-friction plate	R 58.00
PT06S.FFV2.002	Clutch 6S-internal disc	R 74.00
PT06S.FFV2.001	Clutch S6-pressure plate	R 77.00
PT06S-S-YS-INCONE-FFV	S6 inner shield cone YS for FFV	R 111.00
PT06S-S-YS-OUTCONE	S6 outer shield cone Cat III	R 116.00
PT06S-S-YS-INCONE	S6 inner shield cone Cat III	R 121.00
PT06S.01	Cross Journal 92x30.2 S6	R 184.00
PT06S.05A35	S6 plain bore yoke - 35 / 13mm pin hole	R 226.00
PT06S.06	T6 O/Tube Yolk 106x53.6	R 310.00
PT06S.07	T6 I/Tube Yolk 106x44.7	R 310.00
PT06S.FFV2.004	Clutch 6S-hub	R 452.00
PT06S.SB	S6 shear bolt clutch 2100Nm	R 835.00
PT06S.FFV2	S6 friction clutch 2 disc 1200Nm	R 1,675.00
PT06SWA.0513B	S6 wide angle joint CPTe	R 3,460.00







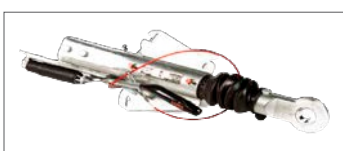


PT0-T6S-YS-01B-FFV2.1000

Prices are exclusive of VAT and subject to change without prior notice. (E & OE Notice - pg103)




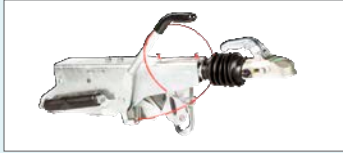
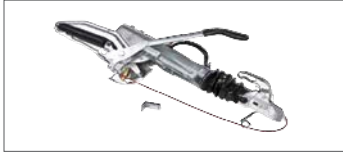

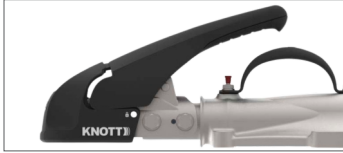
# Couplers With Brakes

Image	Stock Code	Capacity	Head	Body Type	Price
	<b>CBK1300B</b>	1300kg	50mm Ball	Delta	R 4,660.00
	<b>CBK2000BM</b>	1100kg to 2000kg	50mm Ball	Mono - 80x80	R 5,815.00
	<b>CBK2000C</b>	1100kg to 2000kg	50mm Ball	Delta	R 4,420.00
	<b>CBK2000D</b>	1100kg to 2000kg	40mm Din Eye	Delta	R 6,175.00
	<b>CBK2000E</b>	1100kg to 2000kg	50mm Ball	Delta- Short Lever	R 4,460.00
	<b>CBK2700B</b>	1600kg to 2700kg	50mm Ball	Delta	R 5,035.00
	<b>CBK2700D</b>	1600kg to 2700kg	40mm Din Eye	Delta	R 7,240.00




Prices are exclusive of VAT and subject to change without prior notice. (E & OE Notice - pg103)





Image	Stock Code	Capacity	Head	Body Type	Price
	<b>CBK3000B</b>	2000kg to 3000kg	50mm Ball	Delta	R 6,925.00
	<b>CBK3000BM1</b>	2000kg to 3000kg	50mm Ball	Mono - 80x80	R 10,180.00
	<b>CBK3500B</b>	2700kg to 3500kg	50mm Ball	Delta	R 8,690.00
	<b>CBK3500D</b>	2700kg to 3500kg	40mm Din Eye	Delta	R 11,290.00
	<b>CBK2700B.02</b>	2700kg	50mm Ball	Delta	R 10,615.00
	<b>CBK3000B.02</b>	3000kg	50mm Ball	Delta	R 11,020.00
	<b>CBKBH006</b>	2700kg-3000kg	50mm Ball	Head Only	R 6,050.00








## Without Brakes

Image	Stock Code	Capacity	Head	Body Type	Price
	<b>CUK0750</b>	750kg	50mm Ball	Straight	R 499.00
	<b>CUK2700FY</b>	2700kg	50mm Ball	Straight	R 610.00
	<b>CBKL01</b>	Coupler Lock (Knott)			R 90.00

Prices are exclusive of VAT and subject to change without prior notice. (E & OE Notice - pg103)



## Tow Eyes

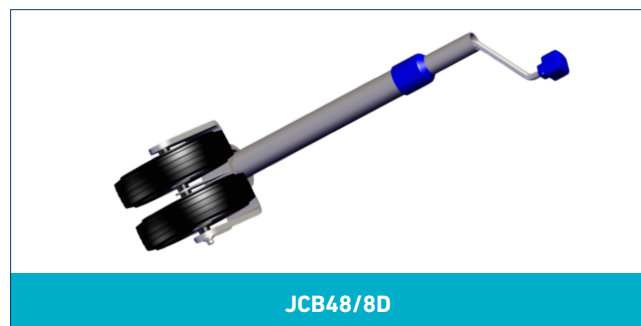
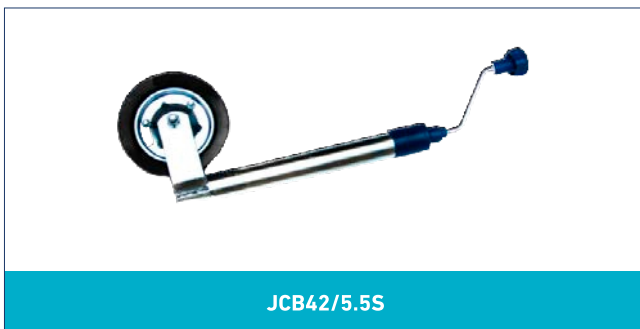
Image	Stock Code	Capacity	Head	Body Type	Price
	C01132	6000kg Low Speed	35mm Eye	Tow Eye	R 1,255.00
	C07926	6000kg Low Speed	50mm Eye	Tow Eye	R 1,150.00
	C07933	10 000kg Low Speed	40mm Eye	Tow Eye	R 1,045.00
	C07202	2 700kg <40km/h 2 400kg >40km/h	50mm Eye	Bolt-on Tow Eye	R 4,720.00
	C07217	14 000kg Low Speed	50mm	Bolt-on Tow Eye	R 2,620.00
	C07206	30000kg Low Speed	50mm Eye	Bolt-on Tow Eye	R 4,825.00
	C07230	3 000kg >km/h	40mm Eye	Bolt-on Tow Eye	R 3,460.00

Prices are exclusive of VAT and subject to change without prior notice. (E & OE Notice - pg103)



## Jockey Wheels & Clamps

Stock Code	Description	Max Load	Stroke	Shaft Ø	Wheel	Price Each
JCB42/5.5S	Jockey Wheel	100kg	200mm	42mm	5.5" Single Steel	R 605.00
JCB48/8SL	Jockey Wheel	150kg	300mm	48mm	8" Steel Single	R 765.00
JCB48/8D	Jockey Wheel	150kg	230mm	48mm	8" Steel Double	1,050.00
JCB60/8SL	Jockey Wheel	300kg	300mm	60mm	8" Steel Single	R 1,130.00
JCB60/8DL	Jockey Wheel	300kg	300mm	60mm	8" Steel Double	R 1,465.00
J0028E	Jockey Wheel	600kg	300mm	57.2mm	230 x 80 mm Single	R 1,420.00
JCC42	Pressed Clamp	-	-	42mm	-	R 100.00
JCC48	Pressed Clamp	-	-	48mm	-	R 145.00
JCB48	Cast Clamp	-	-	48mm	-	R 180.00
JCC60	Pressed Clamp	-	-	60mm	-	R 240.00
JC48/P700	Prop Stand	150kg	-	48mm	Flat Plate	R 205.00



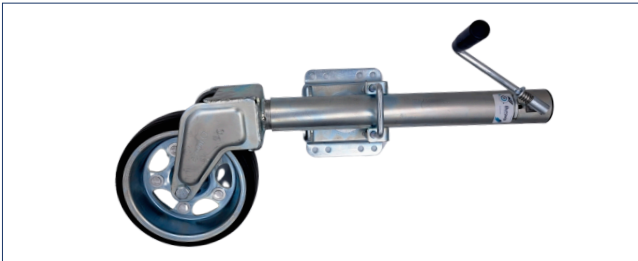
Prices are exclusive of VAT and subject to change without prior notice. (E & OE Notice - pg103)



JCB60/8SL



JCB60/8DL



J0028E



JCC42



JCC48



JCB48



JCC60



JC48/P700

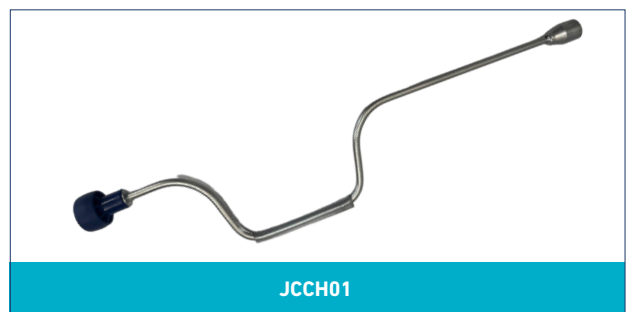


## Parking Jacks

Stock Code	Outer Tube	Inner Tube	Stroke	Mass	Load	Total Length	Price Each
J0013	∅ 48mm	∅ 42mm	195mm	3.0kg	150kg	500mm	R 499.00
J0007	□ 60mm	□ 50mm	255mm	6.0kg	600kg	590mm	R 1,255.00
J0005	□ 60mm	□ 50mm	350mm	7.0kg	800kg	565mm	R 1,395.00
J0012	∅ 57mm	∅ 50mm	350mm	5.6kg	900kg	540mm	R 1,150.00
J0017	∅ 51mm	∅ 45mm	250mm	5.6kg	900kg	430mm	R 1,235.00
J0010	□ 80mm	□ 70mm	300mm	13.0kg	1200kg	670mm	R 1,360.00
J0018	∅ 57mm	∅ 50mm	370mm	6.5kg	1300kg	560mm	R 1,445.00
J0006	□ 70mm	□ 60mm	350mm	8.4kg	1500kg	565mm	R 1,655.00
J0009	□ 70mm	□ 60mm & □ 50mm	710mm	12.5kg	1500kg	595mm	R 2,305.00
J0014	□ 80mm	□ 70mm & □ 60mm	576mm	21.0kg	2500kg	685mm	R 2,725.00
J0008	□ 70mm	□ 60mm	300mm	12.6kg	3000kg	620mm	R 1,840.00
J0015	□ 70mm	□ 60mm	200mm	16.5kg	4000kg	485mm	R 3,145.00
J0016	□ 70mm	□ 60mm	170mm	13.8kg	6000kg	460mm	R 2,935.00
J0021	Bush for J0017 and J0018 parking stands						R 120.00
JCCJ01	-	-	-	4.24kg	800kg	675mm	R 820.00
JCCH01	Crank Handle for JCCJ01					670mm	R140.00



Prices are exclusive of VAT and subject to change without prior notice. (E & OE Notice - pg103)



Prices are exclusive of VAT and subject to change without prior notice. (E & OE Notice - pg103)



## Stabiliser Legs

Stock Code	Stroke Length	Retracted Length	Extended Length	Mass	Linear Load Capacity	Price Each
J0044ES	180mm	380mm	560mm	6.3kg	500kg	R 785.00
J0044E	290mm	520mm	810mm	6.9kg	500kg	R 855.00
J0044EL	430mm	690mm	1120mm	8.9kg	500kg	R 930.00

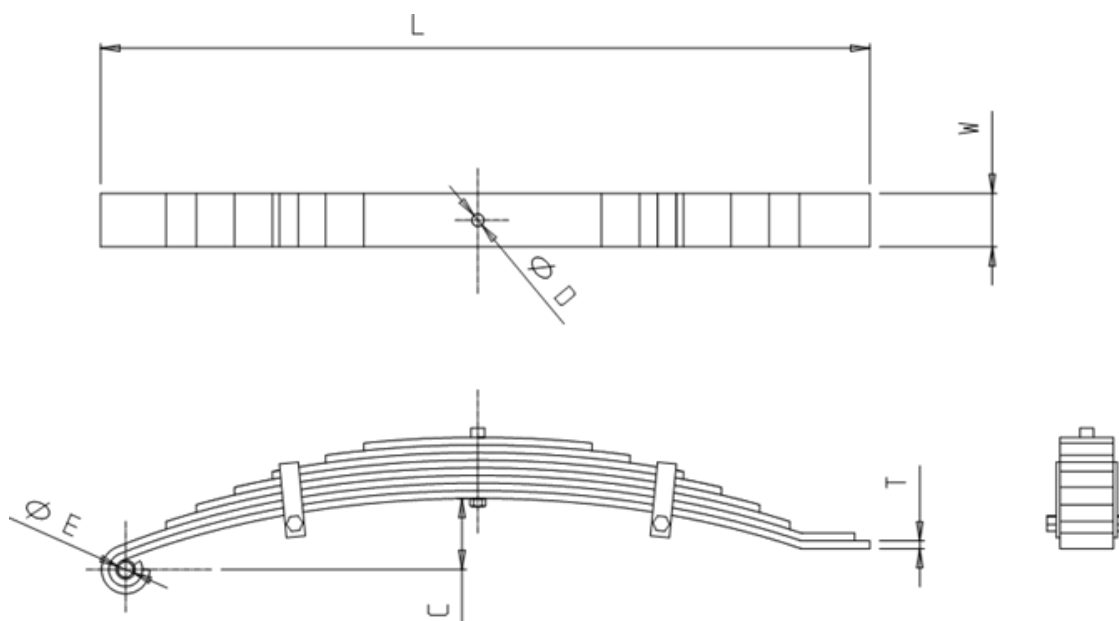




# Leaf Springs

Stock Code	No. of Blades	C (mm)	ØD (mm)	ØE (mm)	L (mm)	T (mm)	W (mm)	Max Load/Pair	Rate (kg/mm)	Price Each
S03/27	3	80	12.5	12.5	685	6	44.5	560kg	3.44	R 320.00
S04/27	4	80	12.5	12.5	685	6	44.5	750kg	4.688	R 385.00
S05/27	5	80	12.5	12.5	685	6	44.5	950kg	5.936	R 435.00
S06/27	6	80	12.5	12.5	685	6	44.5	1 150kg	7.188	R 505.00
S07/27	7	80	12.5	12.5	685	6	44.5	1 350kg	8.438	R 535.00
S08/27	8	80	12.5	12.5	685	6	44.5	1 500kg	9.725	R 585.00
S10/27	10	80	12.5	12.5	685	6	44.5	1 800kg	11.25	R 710.00
S08/36	8	80	12.5	12.5	1020	8	50	2 000kg	12.5	R 1,250.00
S10/36	10	80	12.5	12.5	1020	8	50	2 500kg	15.625	R 1,465.00
S05/40	5	95	16	20	1100	10	70	3 000kg	15.79	R 1,760.00
S08/40	8	95	16	20	1100	10	70	4 000kg	21.053	R 2,515.00
S12/40	12	95	16	20	1100	10	70	6 000kg	31.579	R 3,040.00
S13/40	13	95	16	20	1100	10	70	8 000kg	42.105	R 3,145.00

**Note:** Remember that the eye of the spring should face towards the front of the trailer.



Prices are exclusive of VAT and subject to change without prior notice. (E & OE Notice - pg103)





Prices are exclusive of VAT and subject to change without prior notice. (E & OE Notice - pg103)



## Spring Kits

Stock Code	No. of Blades	Max Load/Pair	Length	Blade Size (mm)	Supported Axle	Price Each
SKIT3000	5	3 000kg	1100mm	70 x 10	□ 55	R 2,620.00
SKIT4000	8	4 000kg	1100mm	70 x 10	□ 60	R 3,460.00
SKIT6000	12	6 000kg	1100mm	70 x 10	□ 70	R 3,985.00
SKIT8000	13	8 000kg	1100mm	70 x 10	□ 80	R 4,090.00





## Spring Mounting Kits

Stock Code	Supported Axle	Spring Width	U-Bolts	Plate	Hanger Set	Price Each
<b>TC40R44.5G</b>	∅ 40mm	44.5mm	SU40R	S5HP40	SH45	R 190.00
<b>TC40S44.5G</b>	□ 40mm	44.5mm	SU40S	S5HP40	SH45	R 175.00
<b>TC45S44.5G</b>	□ 45mm	44.5mm	SU45S	S5HP45	SH45	R 235.00
<b>TC50S50G</b>	□ 50mm	50.0mm	SU50S	S5HP50	SH50	R 250.00

### Spring Mounting Kit Components

1 X 5 hole plate

2 x U-bolts & nuts

1 x Hanger Bracket

1 X Slipper Bracket

1 x Saddle (TC40R44.5G Only)

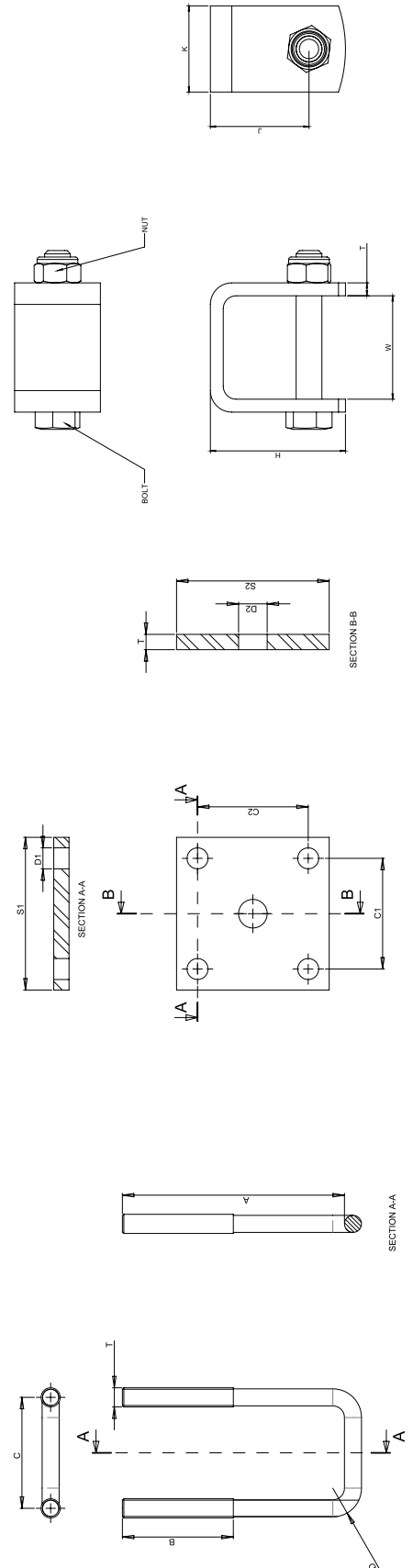


Prices are exclusive of VAT and subject to change without prior notice. (E & OE Notice - pg103)

# Spring Mounting Kits Components



Stock Code	U-Bolt (mm)				Plate (mm)								Hanger (mm)				Torque Nm				
	A	B	C	D	T	Radius	C1	C2	d1	D2	S1	S2	t	Bolt	Nut	H		J	K	t1	W
TC40R44.5G	131	68	58	58	M10	24.5	58	58	11	15	90	80	8	M12X75G	M12NY	63	46	40	6	48	25
TC40S44.5G	116	58	58	5	M10		58	58	11	15	90	80	8	M12X75G	M12NY	63	46	40	6	48	25
TC45S44.5G	128	50	61	5	M12		61	61	13	15	90	90	10	M12X75G	M12NY	63	46	40	6	48	40
TC50S50G	169	80	67	6	M12		67	67	13	16	100	100	10	M12X90G	M12NY	75	58	40	6	55	40
SKIT3000	150	55	77	8	M16		92	77	18	25	125	120	10	M20X120G	M20NY	80	56	90	6	75	100
SKIT4000	185	55	82	8	M16		92	82	18	25	125	125	10	M20X120G	M20NY	80	56	90	6	75	100
SKIT6000	240	55	92	8	M16		97	92	18	25	140	140	10	M20X120G	M20NY	80	56	90	6	75	100
SKIT8000	270	55	102	8	M16		102	92	18	25	140	140	10	M20X120G	M20NY	80	56	90	6	75	100



Prices are exclusive of VAT and subject to change without prior notice. (E & OE Notice - pg103)

## Mechanical Spring Kits

### 3 500kg - 36 000kg

Stock Code	No. of Blades	Max Load	Orientation	Blade Size (mm)	Supported Axle	Price Each
SKIT3500-1	7	3 000kg	Overslung Single	70 x 10	□ 70	R 7,345.00
SKIT3500-2	7	7 000kg	Overslung Tandem	70 x 10	□ 70	R 17,110.00
SKIT5000-1	6	5 000kg	Overslung Single	76 x 10	□ 80	R 9,630.00
SKIT5000-2	6	10 000kg	Overslung Tandem	76 x 10	□ 80	R 23,600.00
SKIT90000-1	7	9 000kg	Overslung Single	76 x 16	Ø 127mm	R 18,900.00
SKIT90000-2	7	18 000kg	Overslung Tandem	76 x 16	Ø 127mm	R 37,200.00
SKIT90000-3	7	27 000kg	Overslung Tridem	76 x 16	Ø 127mm	R 55,900.00
SKIT9000U-1	7	9 000kg	Underslung Single	76 x 16	Ø 127mm	R 19,200.00
SKIT9000U-2	7	18 000kg	Underslung Tandem	76 x 16	Ø 127mm	R 38,100.00
SKIT9000U-3	7	27 000kg	Underslung Tridem	76 x 16	Ø 127mm	R 57,800.00
SKIT9000U-4	7	36 000kg	Underslung Quadrem	76 x 16	Ø 127mm	R 78,800.00

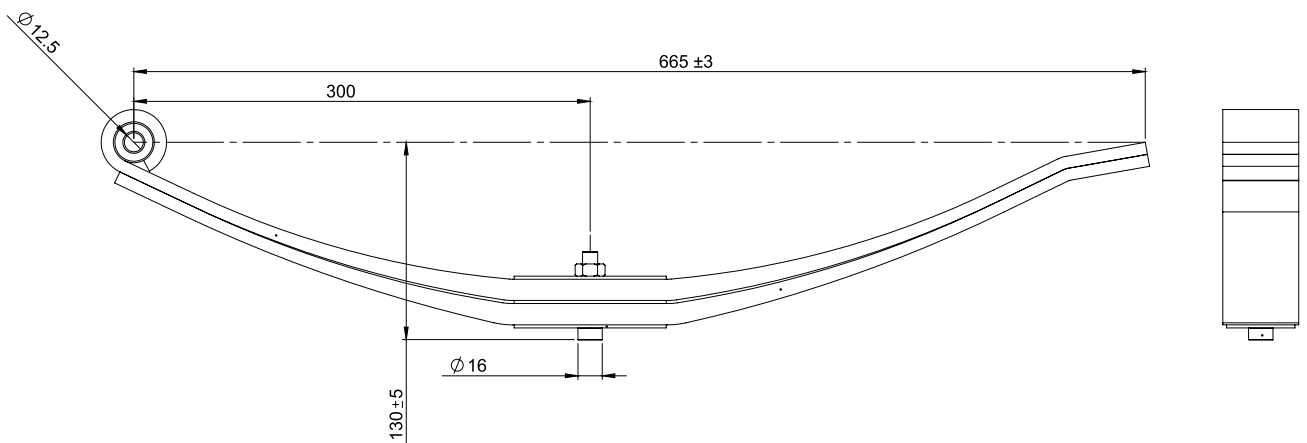
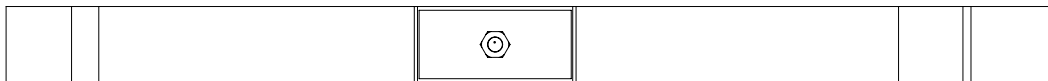
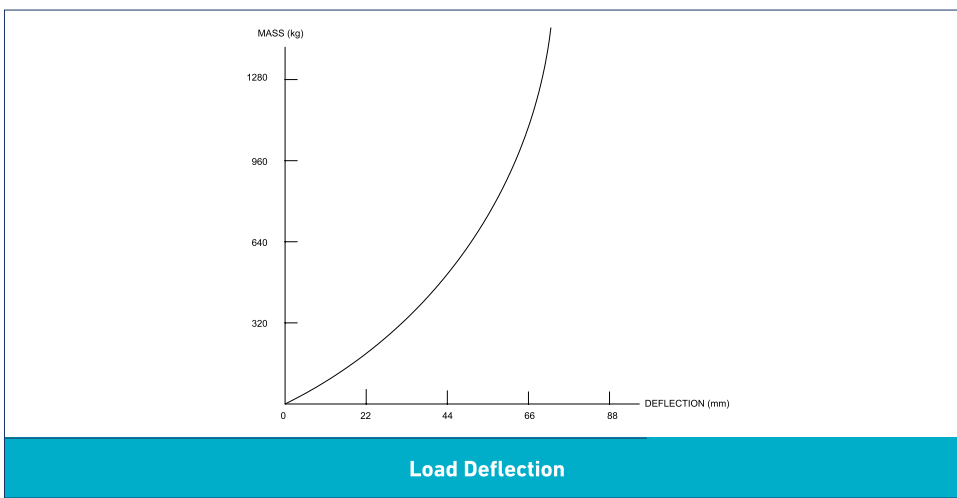


Prices are exclusive of VAT and subject to change without prior notice. (E & OE Notice - pg103)



# Parabolic Springs

Stock Code	No. of Blades	Max Load	Price Each
S02/27-14x50P	2	1250kg	R 680.00



Prices are exclusive of VAT and subject to change without prior notice. (E & OE Notice - pg103)



## Dampers

Stock Code	Description	Capacity	Price Each
CHDK37780	Light Suspension Rubbaride Damper	< - 750Kg	R615.00
CHDK990104	Suspension Damper - Red	750 - 900Kg	R755.00
CHDK990105	Suspension Damper - Green	900 - 1300Kg	R755.00
CHDK990106	Suspension Damper - Blue	1300 - 1800Kg	R755.00



Prices are exclusive of VAT and subject to change without prior notice. (E & OE Notice - pg103)



## U-Bolts

Stock Code	Description	Size	Torque Nm	Price Each
<b>SU40S</b>	U-Bolt 40mm Square	M10x50x125	25	R 25.00
<b>SU40R</b>	U-Bolt 40mm Round	M10x50x130	25	R 27.00
<b>SU45S</b>	U-Bolt 45mm Square	M12x50x140	40	R 39.00
<b>SU45S.170</b>	U-Bolt 45mm Square	M12x50x170	40	R 58.00
<b>SU45R</b>	U-Bolt 45mm Round	M12x50x140	40	R 42.00
<b>SU50S</b>	U-Bolt 50mm Square	M12x50x165	40	R 39.00
<b>SU50R</b>	U-Bolt 50mm Round	M12x50x180	40	R 50.00
<b>SU55S</b>	U-Bolt 55mm Square	M16x60x150	100	R 126.00
<b>SU60S</b>	U-Bolt 60mm Square	M16x65x185	100	R 153.00
<b>SU70S</b>	U-Bolt 70mm Square	M16x75x240	100	R 168.00
<b>SU70S-174</b>	U-Bolt 70mm Square	M16x75x240	100	R 184.00
<b>SU80S</b>	U-Bolt 80mm Square	M16x85x270	100	R 216.00
<b>SU080-M22</b>	U-Bolt 80mm Square	M22x80x255	180	R 625.00

**Note:** These items are used to secure the leaf spring to the axle. Remember that the eye of the spring should face towards the front of the trailer.



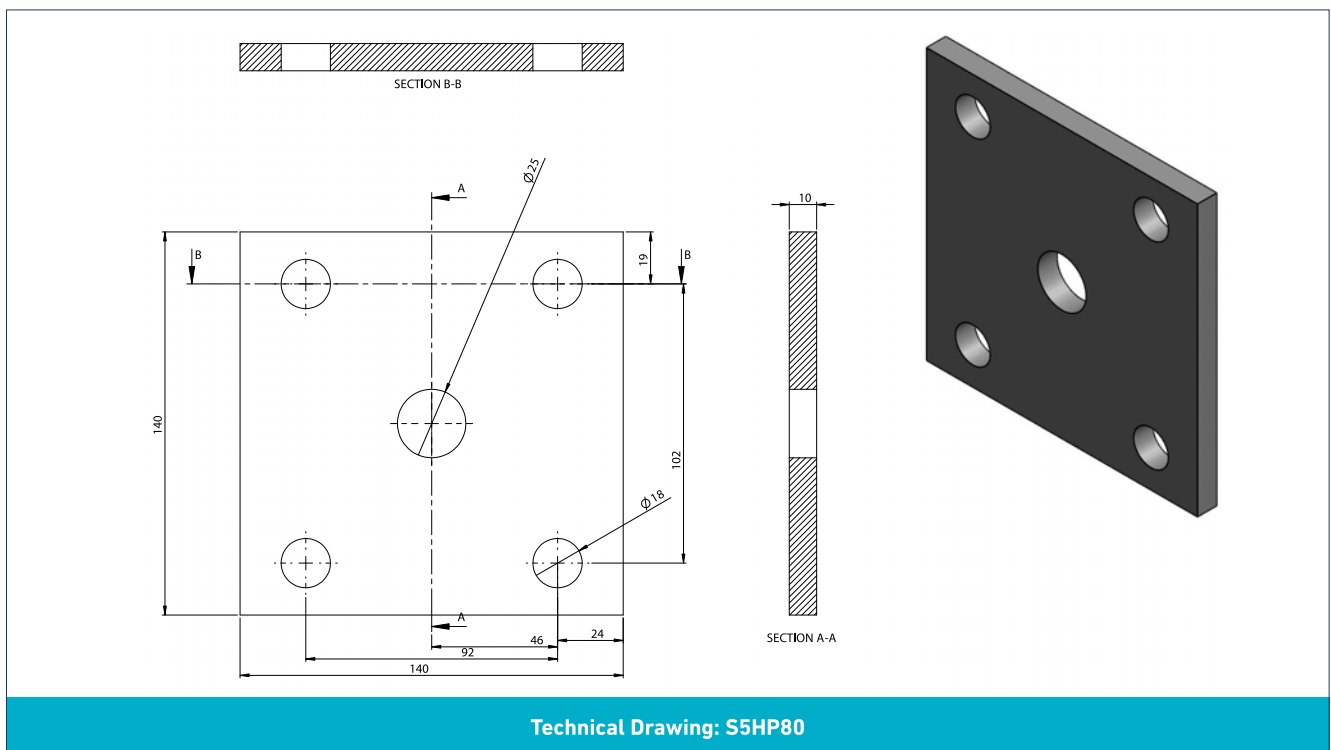




# 5 Hole Plates

Stock Code	Description	Size	Price Each
S5HP40	5 Hole Plate 40mm	90x80x8mm	R 42.00
S5HP45	5 Hole Plate 45mm	90x90x10mm	R 63.00
S5HP50	5 Hole Plate 50mm	100x100x10mm	R 84.00
S5HP55	5 Hole Plate 55mm	125x120x10mm	R 153.00
S5HP60	5 Hole Plate 60mm	125x125x10mm	R 163.00
S5HP70	5 Hole Plate 70mm	140x140x10mm	R 184.00
S5HP80	5 Hole Plate 80mm	140x140x10mm	R 205.00
SA0006001	5 Hole Plate for 80mm High Speed Square Axles		R 350.00
SA0008001	Spring Seat for 80mm High Speed Square Axles		R 600.00
S5HP90X75	5 Hole Plate for 90mm Low Speed Square Axles		R 331.00
SM0011002	Rod bracket for 90mm & 100mm Low Speed Square Axles		R 970.00
SM0012002	Spring Seat for 90mm & 100mm Low Speed Square Axles		R 440.00

**Note:** These items are used to secure the leaf spring to the axle. Remember that the eye of the spring should face towards the front of the trailer.



Prices are exclusive of VAT and subject to change without prior notice. (E & OE Notice - pg103)



## Saddles

Stock Code	Description	Price Each
S1HP45x08	Flat Saddle (Square Axles)	R 23.00
SS40	Saddle 40mm Round	R 25.00

## Bolts

Stock Code	Description	Price Each
M12X75G	Bolt M12x75mm Galvanised	R 15.00
M20X300G	Bolt M20x300mm Galvanised	R 160.00

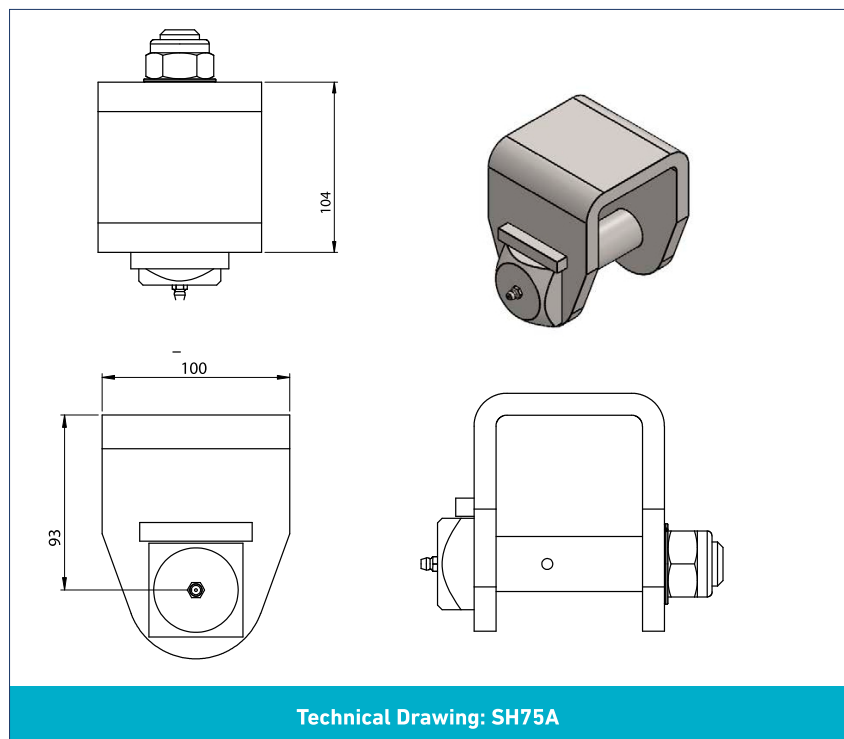


SS40



# Hangers

Stock Code	Description	Price Each
SH45	Hanger Set 45mm	R 84.00
SH50	Hanger Set 50mm (STD)	R 95.00
SH70	Hanger Set 70mm (STD)	R 176.00
SH70H-10	Hanger 70mm High Speed	R 395.00
SH70S-10	Slipper 70mm High Speed	R 540.00
SH70S-10LS	Hanger 70mm Low Speed	R 289.00
SH75A	Hanger 75mm Low Speed	R 1,045.00
SM0001001	Hanger Front Overslung 76mm	R 2,635.00
SM0003001	Hanger Middle Overslung 76mm	R 1,325.00
SM0002001	Hanger Rear Overslung 76mm	R 1,060.00

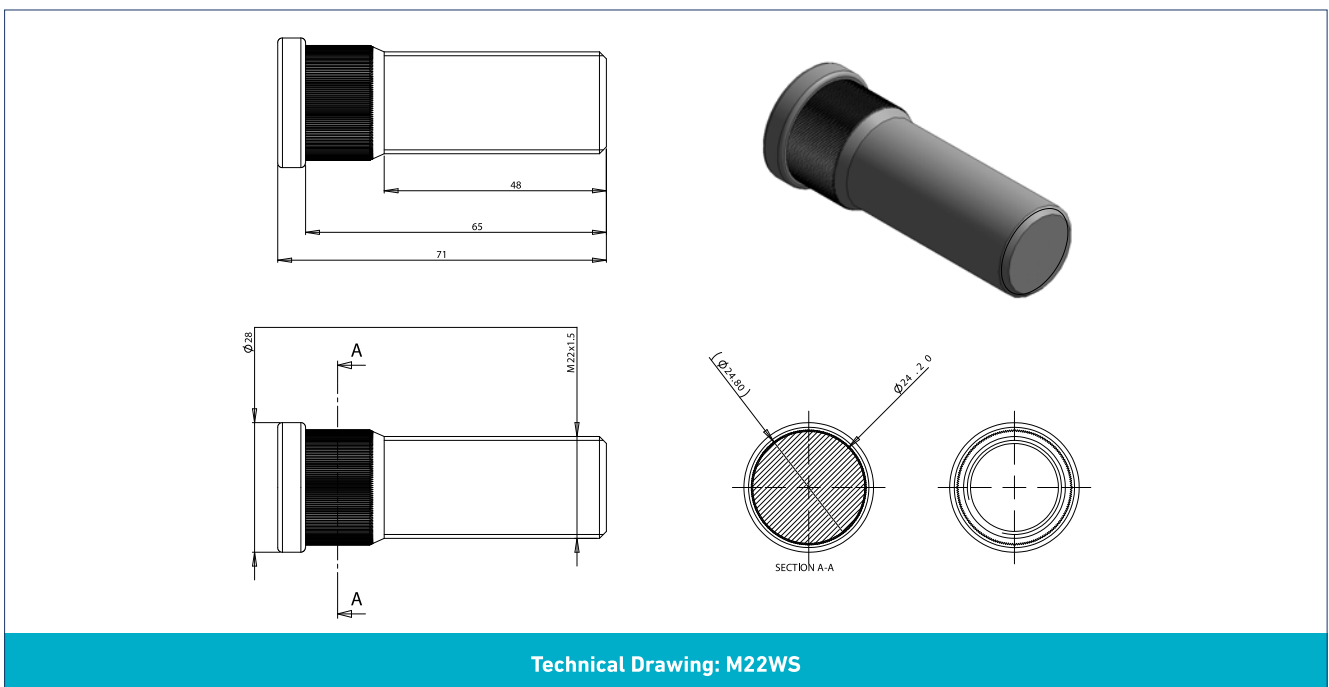


Prices are exclusive of VAT and subject to change without prior notice. (E & OE Notice - pg103)



# Wheel Studs

Stock Code	Description	Size	Price Each
M12WS	M12 Wheel Stud	41x14x21x1,5mm	R 9.00
M14WSR	M14 Wheel Stud	48x15,5x14x1,5mm	R 25.00
M16WS	M16 Wheel Stud	45x17,2x16x1,5mm	R 29.00
M18WS	M18 Wheel Stud	49x19,3x18x1,5mm	R 39.00
M18WSBADR.66	M18 Wheel Stud BRK ADR	66x21,5x18x1,5mm	R 170.00
M20WSADR	M20 Wheel Stud ADR	70x21,5x20x1,5mm	R 70.00
M20WSBADR	M20 Wheel Stud BRK ADR	87x21,5x20x1,5mm	R 120.00
M22WS	M22 Wheel Stud FAD	65x24,2x22x1,5mm	R 240.00
M22WS-105	M22 Wheel Stud	94x24x22x1,5mm	R 71.00
M22WS.122	M22 Wheel Stud Alluminium Rims		R 81.00
M22WSA	M22 Wheel Stud ALION		R 77.00
M22WSA.88	M22 Wheel Stud ALION		R 81.00
M22WSADR	M22 Wheel Stud ADR	71x24,1x22x1,5mm	R 81.00
M22WSADR.90	M22 Wheel Stud ADR	84x24,1x22x1,5mm	R 77.00



Prices are exclusive of VAT and subject to change without prior notice. (E & OE Notice - pg103)



## Wheel Nuts

Stock Code	Description	Size	Price Each
M12WN	M12 Wheel Nut	41x14x12x1,5mm	R 8.00
M14WN	M14 Wheel Nut	48x15,5x14x1,5mm	R 26.00
M16WN	M16 Wheel Nut	45x17,2x16x1,5mm	R 16.00
M18WNR16	M18 Wheel Nut	49x19,3x18x1,5mm	R 13.00
M20WNADR	M20 Wheel Nut	66x21,5x18x1,5mm	R 25.00
M22WN	M22 Wheel Nut	70x21,5x20x1,5mm	R 68.00
M22WNADR	M22 Wheel Nut	87x21,5x20x1,5mm	R 33.00
M22WNF	M22 Wheel Nut Flanged	65x24,2x22x1,5mm	R 32.00

## Nylock Nuts

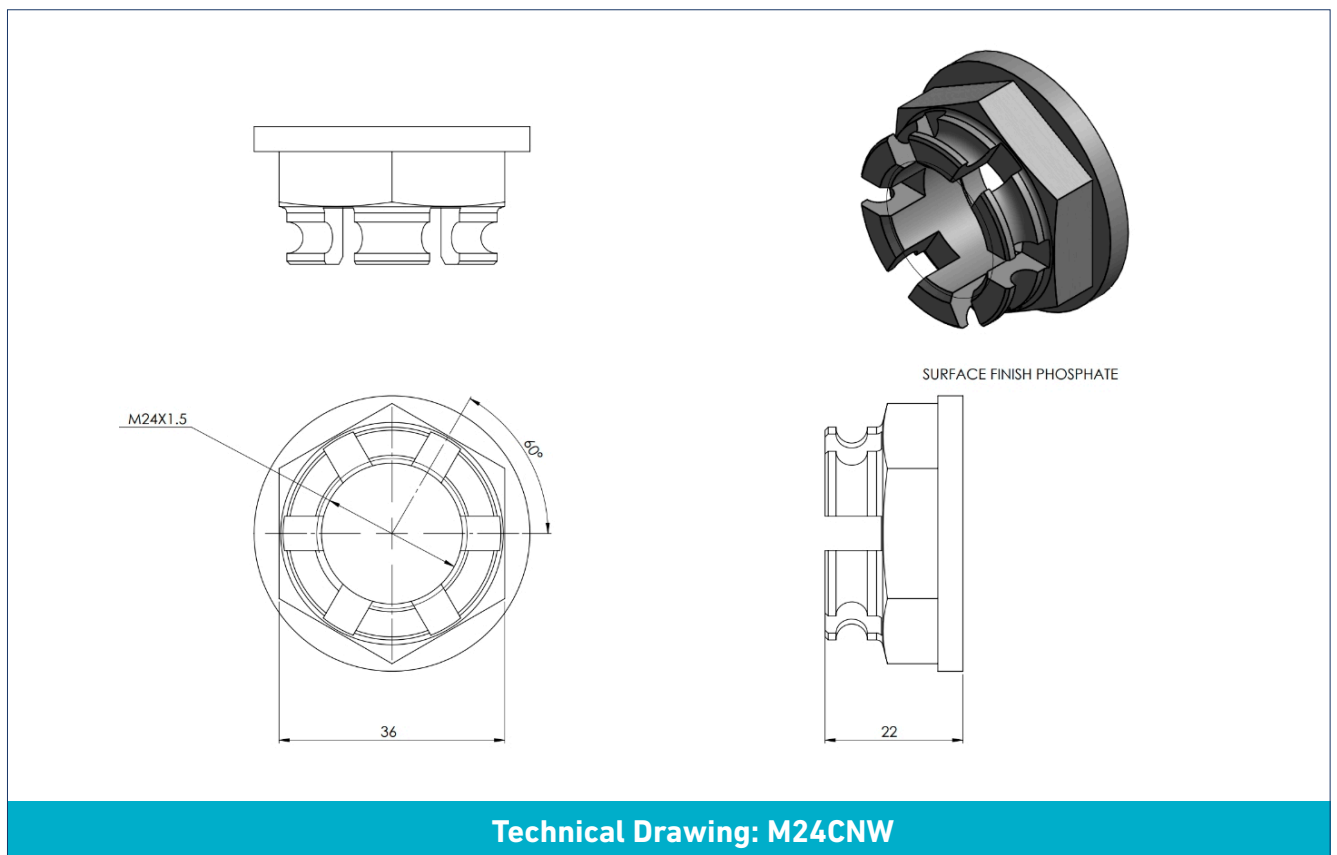
Stock Code	Description	Size	Price Each
M12NY	M12 Nylock Nut	41x14x12x1,5mm	R 4.00
M14NY	M14 Nylock Nut	48x15,5x14x1,5mm	R 18.00
M16NY	M16 Nylock Nut	45x17,2x16x1,5mm	R 12.00
M20NY	M20 Nylock Nut	49x19,3x18x1,5mm	R 9.00
M22NY	M22 Nylock Nut	66x21,5x18x1,5mm	R 30.00

Prices are exclusive of VAT and subject to change without prior notice. (E & OE Notice - pg103)



# Castle Nuts

Stock Code	Description	Size	Price Each
M18CNW	M18 Castle Nut Flanged	M18x1,5 (27mm)	R 21.00
M24CNW	M24 Castle Nut Flanged	M24x1,5 (36mm)	R 32.00
M33CN2	M33 Castle Nut	M33x2,0 (50mm)	R 88.00
M36CN2	M36 Castle Nut	M36x2,0 (55mm)	R 120.00
M39CN	M39 Castle Nut	M39x2,0	R 65.00



Prices are exclusive of VAT and subject to change without prior notice. (E & OE Notice - pg103)



## Grease Caps

Stock Code	Description	Price Each
GCAP47.1	Grease Cap 47mm	R 25.00
GCAP52.1	Grease Cap 52mm	R 29.00
GCAP62.1	Grease Cap 62mm	R 31.00
GCAP72.1	Grease Cap 72mm	R 145.00
GCAP80.1	Grease Cap 80mm	R 77.00
GCAP80.2	Grease Cap 80mm ADR	R 79.00
GCAP85.1	Grease Cap 85mm	R 81.00
GCAP85.2	Grease Cap 85mm	R 90.00
GCAP90.1	Grease Cap 90mm	R 195.00
GCAP100.1	Grease Cap 100mm	R 225.00
GCAP100.2	Grease Cap 100mm ADR	R 135.00
GCAP110.1	Grease Cap 110mm	R 100.00
GCAP110.2	Grease Cap 110mm	R 165.00
GCAP160.0	Grease Cap 160mm AF90 & AFB90C	R 165.00
GCAP160.1	Grease Cap 160mm ADR 90 & 100mm SQ	R 240.00
GCAP180.0	Grease Cap 180mm	R 175.00
GCAP185.0	Grease Cap 185mm 164 DIA with gasket	R 499.00
GCAP220.1	Grease Cap 220mm ADR 150mm SQ	R 940.00



Prices are exclusive of VAT and subject to change without prior notice. (E & OE Notice - pg103)



# Knott Braked Coupler Spares

## Pressed Steel Bodies

No.	Stock Code	Description	Price Each
2	<b>CBKS07</b>	Guide Bearing, excl. lock Brown with white ferrule KF13/20	R 195.00
2	<b>CBKS07S</b>	Guide Bearing, incl. lock New, Black Snapper KF13/20	R 215.00
2	<b>CBKS09</b>	Guide Bearing, excl. lock Brown with white ferrule KF27/30	R 225.00
2	<b>CBKS09S</b>	Guide Bearing, incl. lock New, Black Snapper KF27/30	R 225.00
3	<b>CBKS19</b>	Grease Nipple Press in KF13/20/27 & 30	R 20.00
4	<b>CBKS05</b>	Drawbar 45mm diameter KF13 & KF20	R 1,280.00
4	<b>CBKS08</b>	Drawbar 50mm diameter KF27	R 1,615.00
4	<b>CBKS08-8</b>	Drawbar 50mm diameter with 14mm bolt holes KF30	R 1,615.00
5	<b>CBKS06</b>	Drawbar Stop Ring KF20	R 160.00
5	<b>CBKS21</b>	Drawbar Stop Ring KF27 & KF30	R 147.00
6	<b>CHDK1300</b>	Shock Absorber KF13 - 87 0007 09	R 1,755.00
6	<b>CHDK2000E</b>	Shock Absorber KF20 - 87 1011 09	R 735.00
6	<b>CHDK2000</b>	Shock Absorber KF20 - 87 0011 09	R 1,420.00
6	<b>CHDK2700</b>	Shock Absorber KF27 87003909 (12mm Hole)	R 1,575.00
6	<b>CHDK2700D14</b>	Shock Absorber KF27 8700310914 (14mm Hole)	R1,575.00
6	<b>CHDK3000</b>	Shock Absorber KF30 - 87 0039 09-14	R 1,420.00
7	<b>CBKBALL45A</b>	Coupling Head Ball Type 50mm KF13	R 1,150.00
7	<b>CBKBALL45</b>	Coupling Head Ball Type 50mm KF20	R 940.00
7	<b>CBKBALL50</b>	Coupling Head Ball Type 50mm Old Type (12mm Hole) KF27	R 1,360.00
7	<b>CBKBALL50A</b>	Coupling Head Ball Type 50mm New Type (14mm Hole) KF27 / KF30	R 1,570.00
13	<b>CBKS01</b>	Bellow KF13 & KF20	R 175.00
13	<b>CBKS17</b>	Bellow KF27 & KF30	R 160.00
20	<b>CBKS03</b>	Hand Brake Lever Complete KF13, KF20 & KF27	R 2,405.00
21	<b>BCK3.5x1200</b>	Brake Away Cable Complete 1050mm	R 220.00
22	<b>CBKS04</b>	Hand Brake Damper KF13, KF20, KF27 & KF30	R 1,280.00
23	<b>CBKS023.01.001</b>	Clevis for Transmission Lever M10	R 65.00
24	<b>CBKS03.01.001</b>	Hand Brake Handle	R 55.00

**NOTES:**

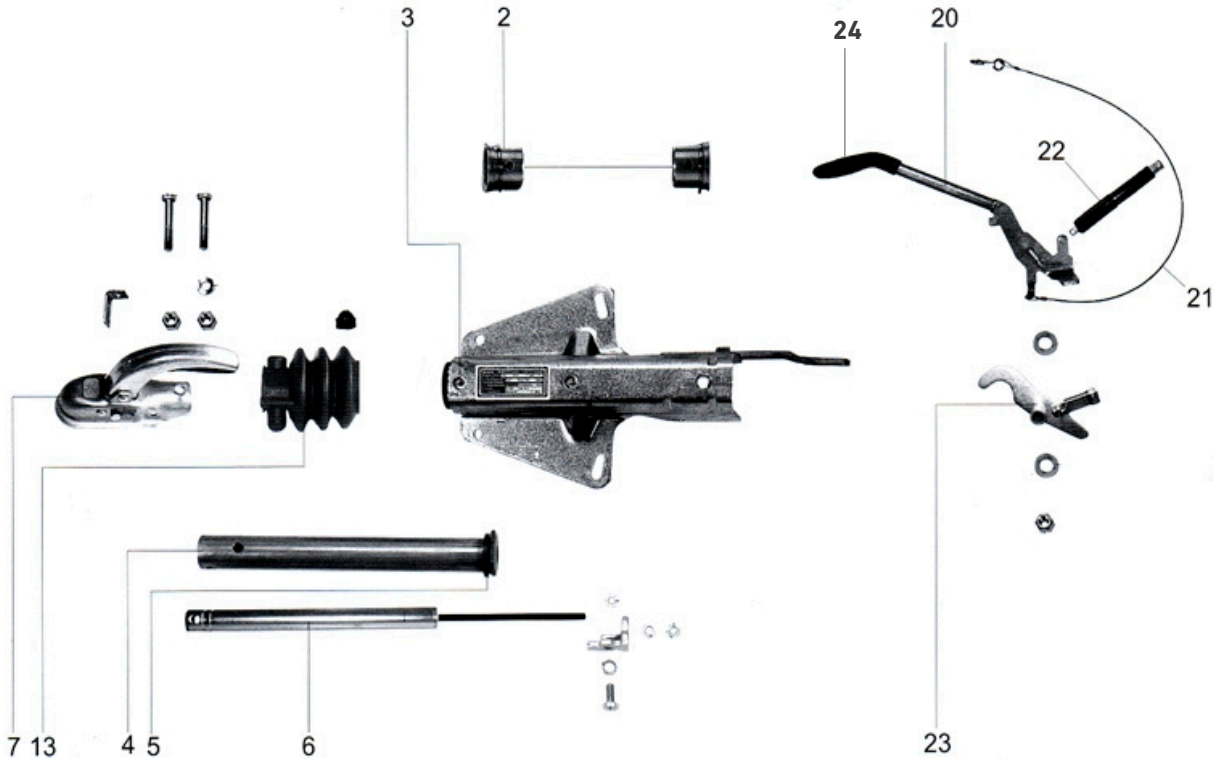
Refer to image on the next page.

Prices are exclusive of VAT and subject to change without prior notice. (E & OE Notice - pg103)





*Pressed Steel Bodies*



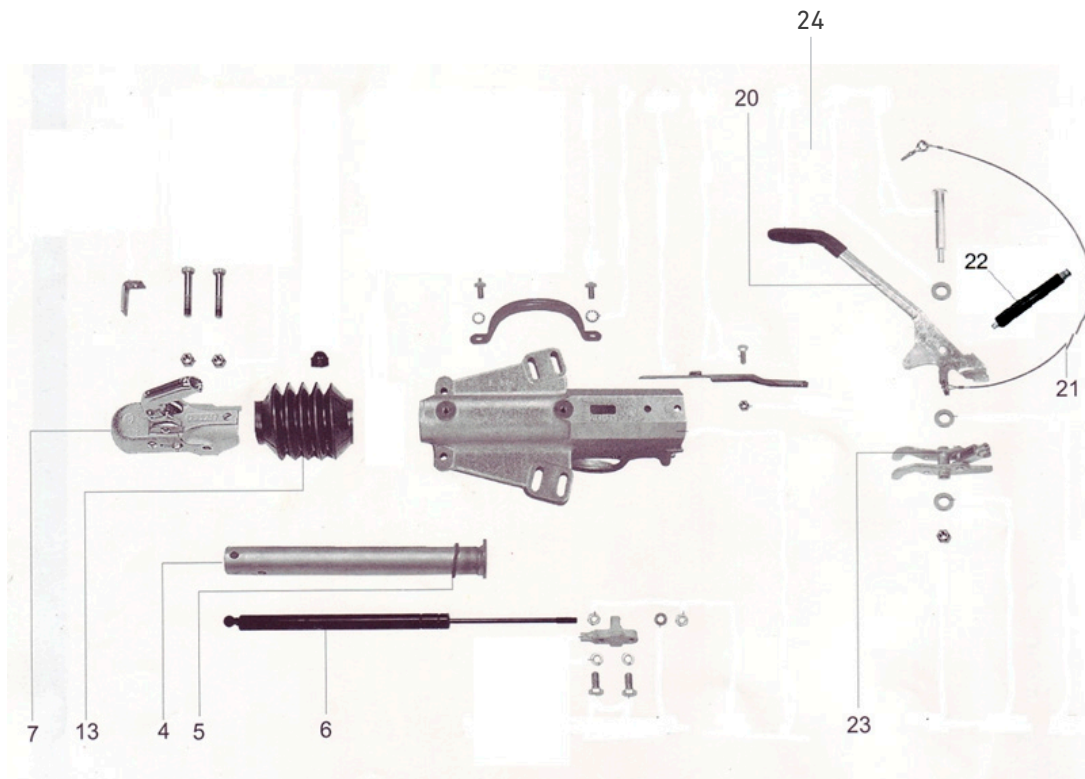
Prices are exclusive of VAT and subject to change without prior notice. (E & OE Notice - pg103)



# Knott Braked Coupler Spares

## Cast Iron Bodies

No.	Stock Code	Description	Price Each
3	<b>CBKS20</b>	Grease Nipple M12 KF35	R 55.00
4	<b>CBKS12</b>	Draw Tube 60mm diameter KF35	R 1,775.00
5	<b>CBKS13</b>	Draw Tube Stop Ring KF35	R 21.00
6	<b>CHDK3500</b>	Shock Absorber / Hydraulic Damper KF35 - 87 0036 09	R 1,620.00
7	<b>CBKBALL60</b>	Coupling Head Ball Type 50mm KF35	R 2,095.00
13	<b>CBKS02</b>	Bellow KF35	R 245.00
20	<b>CBKS10</b>	Hand Brake Lever Complete KF35	R 2,730.00
21	<b>BCK3.5x1200</b>	Brake Away Cable Complete 1050mm	R 220.00
22	<b>CBKS11</b>	Hand Brake Damper KF35	R 1,660.00
23		Clevis for Transmission Lever	
24	<b>CBKS03.01.001</b>	Hand Brake Handle	R 55.00



Prices are exclusive of VAT and subject to change without prior notice. (E & OE Notice - pg103)



## Coupler Din Eye Heads

Stock Code	Description	Pin Hole Size	Price Each
<b>CBKEYE45</b>	Coupler Eye 45mm Shaft	40mm	R 1,675.00
<b>CBKEYE50</b>	Coupler Eye 50mm Shaft	40mm	R 3,145.00
<b>CBKEYE50A</b>	Coupler Eye 50mm 14mm Bolts	40mm	R 2,445.00
<b>CBKEYE60</b>	Coupler Eye 60mm Shaft	40mm	R 2,445.00
<b>CBKEYE45X76</b>	Coupler Eye 45mm Shaft	76mm	R 2,095.00
<b>CBKEYE50X76</b>	Coupler Eye 50mm Shaft	76mm	R 2,830.00
<b>CBKEYE60X76</b>	Coupler Eye 60mm Shaft	76mm	R 3,265.00



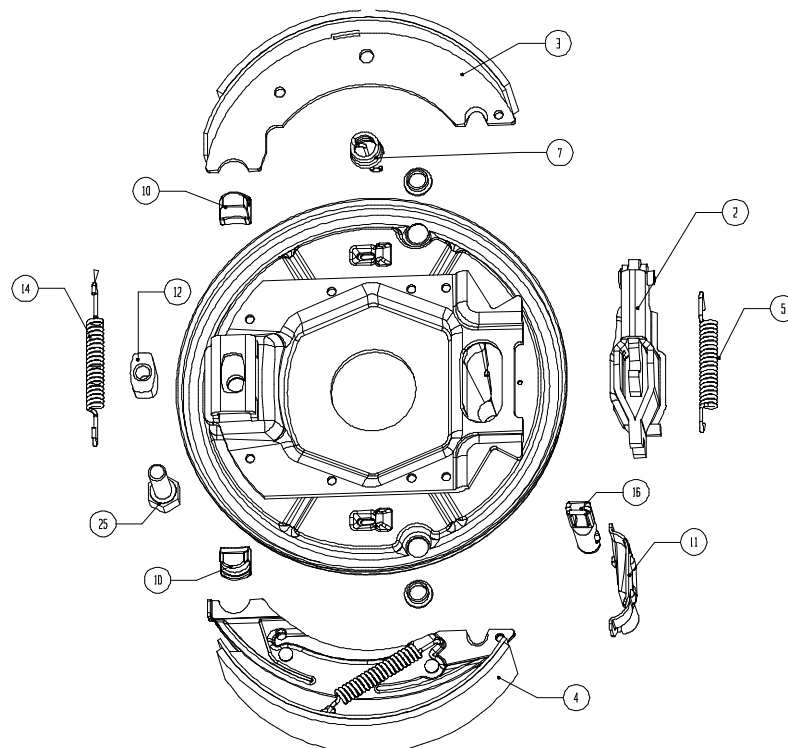
**CBKEYE50A**



# Brake Mechanisms

## BK200 (200x50)

No.	Stock Code	Description	Price Each
1	<b>BK200L</b>	Complete Brake Mechanism LHS	R 1,465.00
1	<b>BK200R</b>	Complete Brake Mechanism RHS	R 1,465.00
2	<b>BSK200.02</b>	Expander	R 111.00
3	<b>BSK200.03</b>	Leading Brake Shoe Top	R 520.00
4	<b>BSK200.04</b>	Trailing Brake Shoe Bottom	R 605.00
5	<b>BSK200.05</b>	Return Spring Primary	R 17.00
7	<b>BSK200.07</b>	Retaining Spring	R 69.00
10	<b>BSK200.10</b>	Cam Follower	R 16.00
11	<b>BSCRPK1</b>	Brake Retaining Plate	R 52.00
12	<b>BSK200.12</b>	Brake Wedge	R 37.00
14	<b>BSK200.14</b>	Return Spring Secondary	R 42.00
16	<b>BSK200.16</b>	Link Expander	R 205.00
25	<b>BSK200.25</b>	Brake Adjust Screw	R 8.00



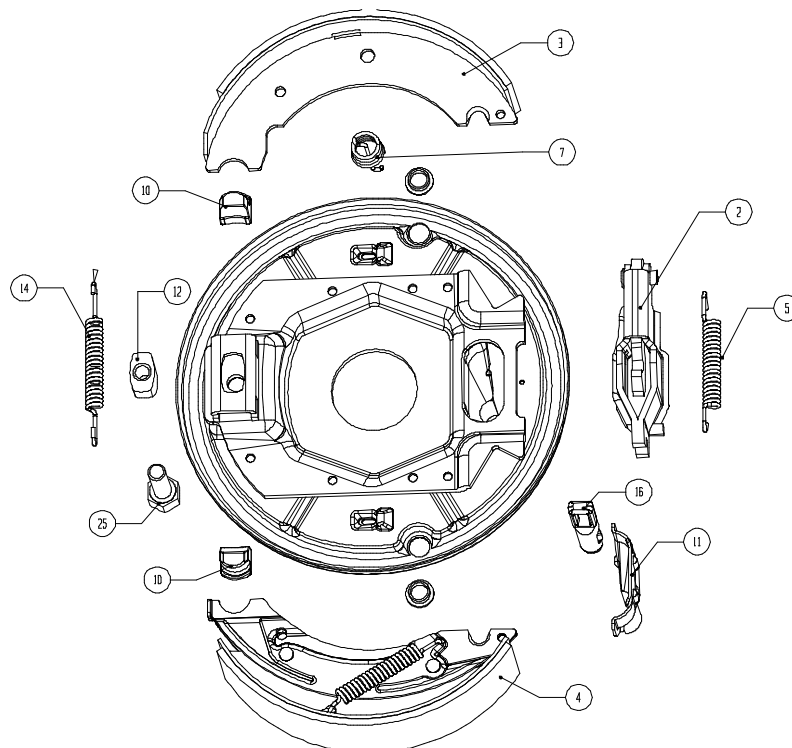
Prices are exclusive of VAT and subject to change without prior notice. (E & OE Notice - pg103)



# Brake Mechanisms

## BK250B (250x40)

No.	Stock Code	Description	Price Each
1	BK250BL	Complete Brake Mechanism LHS	R 2,515.00
1	BK250BR	Complete Brake Mechanism RHS	R 2,515.00
2	BSK200.02	Expander	R 111.00
3	BSK250B.03	Leading Brake Shoe Top	R 680.00
4	BSK250B.04	Trailing Brake Shoe Bottom	R 1,047.00
5	BSK250B.05	Return Spring Primary	R 18.00
7	BSK250B.07	Retaining Spring	R 55.00
10	BSK250B.10	Cam Follower	R 21.00
11	BSCRPK1	Brake Retaining Plate	R 52.00
12	BSK250B.12	Brake Wedge	R 42.00
14	BSK250B.14	Return Spring Secondary	R 25.00
16	BSK200.16	Link Expander	R 205.00
25	BSK250B.25	Brake Adjust Screw	R 10.00



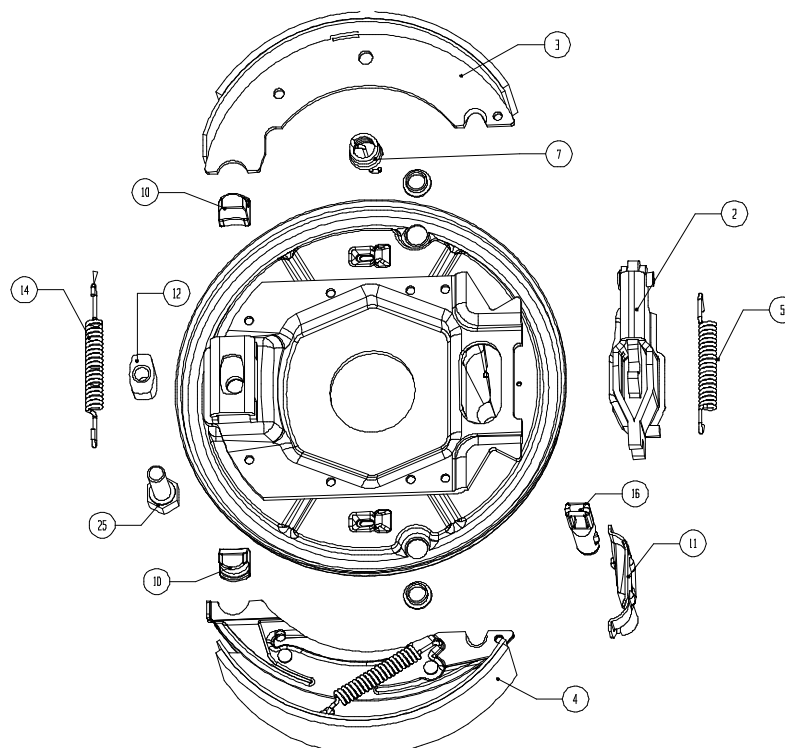
Prices are exclusive of VAT and subject to change without prior notice. (E & OE Notice - pg103)



# Brake Mechanisms

## BK250A (250x50)

No.	Stock Code	Description	Price Each
1	<b>BK250AL</b>	Complete Brake Mechanism LHS	R 2,515.00
1	<b>BK250AR</b>	Complete Brake Mechanism RHS	R 2,515.00
2	<b>BSK200.02</b>	Expander	R 111.00
3	<b>BSK250A.03</b>	Leading Brake Shoe Top	R 1,045.00
4	<b>BSK250A.04</b>	Trailing Brake Shoe Bottom	R 1,395.00
5	<b>BSK250B.05</b>	Return Spring Primary	R 18.00
7	<b>BSK200.07</b>	Retaining Spring	R 69.00
10	<b>BSK250B.10</b>	Cam Follower	R 21.00
11	<b>BSCRPK1</b>	Brake Retaining Plate	R 52.00
12	<b>BSK250B.12</b>	Brake Wedge	R 42.00
14	<b>BSK250B.14</b>	Return Spring Secondary	R 25.00
16	<b>BSK200.16</b>	Link Expander	R 205.00
25	<b>BSK250B.25</b>	Brake Adjust Screw	R 10.00



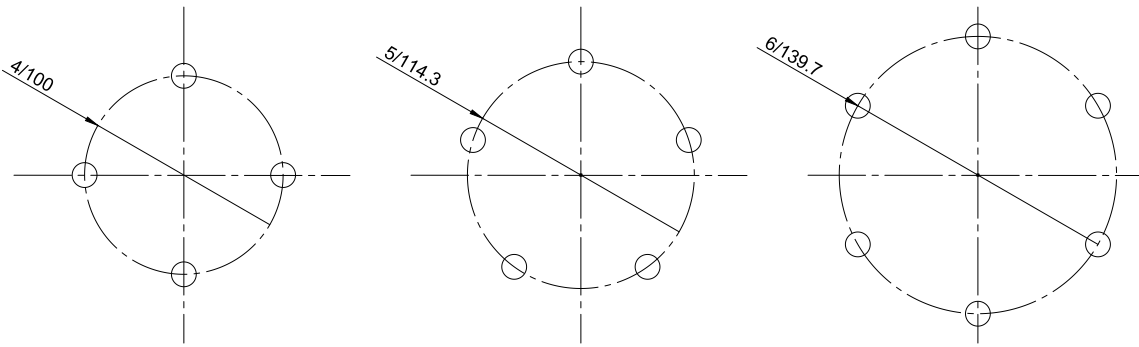
Prices are exclusive of VAT and subject to change without prior notice. (E & OE Notice - pg103)



# Introduction to Pitch Circle Diameters (PCD)

The wheel studs or wheel bolts are inserted into holes drilled into the hubs. These small holes are drilled equally spaced on the circumference of a circle centred on the axis of the wheel bearings. The diameter of this circle is called the Pitch Circle Diameter or PCD. It is essential that the PCD of the hub and the PCD of the wheel correspond exactly.

The following tables show the common PCD's used in the **Burquip's** axle and wheels range.



PCD	Code	C (mm)	No of Holes (n)	Diameter (mm)
4/100	.01	70.711	4	100
5/114.3	.02	67.184	5	114.3
5/165.1	.03	97.043	5	165.1
6/139.7	.04	69.850	6	139.7
6/205	.05	102.500	6	205
8/275	.06	105.238	8	275
5/150	.07	88.168	5	150
4/114.3	.08	80.822	4	114.3
Special	.09			
10/335	.10	103.521	10	335
4/139.7	.11	98.783	4	139.7
5/140	.12	82.290	5	140
5/112	.13	65.832	5	112
5/120.65	.14	70.916	5	120.65
10/225	.15	69.529	10	225

Where C is the distance between consecutive hole centers.

Special PCD's are those that we rarely drill, e.g. 4/108; 4/101.6; 5/127, etc. If we see that a specific special PCD is becoming popular we will denote it with the next available number.

PCD are calculated according to the following formula using the symbols defined above:

$$PCD = \frac{C}{\sin(180^\circ/n)}$$



# Brake Drums

## 1600kg Axle

### Components

Brake Drum	Grease Cap	Split Pin	Castle Nut	Spacer	Bearings	Wheel Bolt	Oil Seal
<b>HBB200B.01C</b>	GCAP52.1	M3.2X36SP	M18CN/M18CNW	M20BSFW	B30205 & B32007	M12WB24	OS42-62-7
<b>HBB200B.02C</b>	GCAP52.1	M3.2X36SP	M18CN/M18CNW	M20BSFW	B30205 & B32007	M12WB24	OS42-62-7
<b>HBB200B.04C</b>	GCAP52.1	M3.2X36SP	M18CN/M18CNW	M20BSFW	B30205 & B32007	M12WB24	OS42-62-7
<b>HBB200B.04SC</b>	GCAP52.1	M3.2X36SP	M18CN/M18CNW	M20BSFW	B30205 & B32007	M12WS & M12WN	OS42-62-7

Stock Code	Description	Price Each
<b>HBB200B.01C</b>	Complete Brake Drum 4/100 pcd	R 1,330.00
<b>HBB200B.02C</b>	Complete Brake Drum 5/114 pcd	R 1,330.00
<b>HBB200B.04C</b>	Complete Brake Drum 6/140 pcd	R 1,330.00
<b>HBB200B.04SC</b>	Complete Brake Drum 6/140 pcd with studs & nuts	R 1,330.00
<b>GCAP52.1</b>	Grease Cap 52mm	R 29.00
<b>M3.2X36SP</b>	Split Pin	R 2.00
<b>M18CN/M18CNW</b>	M18 Castle Nut M18x1.5/Castle Nut Flanged M18x1.5	R 23.00 / 21.00
<b>M20BSFW</b>	Spacer 19mmx34mmx3mm	R 5.00
<b>B30205</b>	Bearing 30205	R 84.00
<b>B32007</b>	Bearing 32007	R 110.00
<b>M12WB24</b>	M12 Wheel Bolt 1,5mm	R 11.00
<b>M12WS</b>	M12 Wheel Studs 1,5mm	R 9.00
<b>M12WN</b>	M12 Wheel Nuts 1,5mm	R 8.00
<b>OS42-62-7</b>	Oil Seal 42x62x7	R 17.00

Prices are exclusive of VAT and subject to change without prior notice. (E & OE Notice - pg103)





# Brake Drums

## 1800kg Axle

### Components

Brake Drum	Grease Cap	Split Pin	Castle Nut	Spacer	Bearings	Wheel Bolt	Oil Seal
<b>HBB250B.02C</b>	GCAP52.1	M3.2X36SP	M18CN/M18CNW	M20BSFW	B30205 & B32007	M12WB24	OS42-62-7
<b>HBB250B.04C</b>	GCAP52.1	M3.2X36SP	M18CN/M18CNW	M20BSFW	B30205 & B32007	M12WB24	OS42-62-7
<b>HBB250B.07C</b>	GCAP52.1	M3.2X36SP	M18CN/M18CNW	M20BSFW	B30205 & B32007	M14WSR & M14WN	OS42-62-7

Stock Code	Description	Price Each
<b>HBB250B.02C</b>	Complete Brake Drum 5/114.3	R 1,930.00
<b>HBB250B.04C</b>	Complete Brake Drum 6/140 pcd with wheel bolts	R 1,930.00
<b>HBB250B.07C</b>	Complete Brake Drum 5/150 pcd	R 1,930.00
<b>GCAP52.1</b>	Grease Cap 52mm	R 29.00
<b>M3.2X36SP</b>	Split Pin	R 2.00
<b>M18CN/M18CNW</b>	M18 Castle Nut M18x1.5/Castle Nut Flanged M18x1.5	R 23.00 / R21.00
<b>M20BSFW</b>	Spacer 19mmx34mmx3mm	R 5.00
<b>B30205</b>	Bearing 30205	R 84.00
<b>B32007</b>	Bearing 32007	R 110.00
<b>M12WB24</b>	M12 Wheel Bolt 1,5mm	R 11.00
<b>M14WSR</b>	M14 Wheel Studs 1,5mm	R 25.00
<b>M14WN</b>	M14 Wheel Nuts 1,5mm	R 26.00
<b>OS42-62-7</b>	Oil Seal 42x62x7	R 17.00

Prices are exclusive of VAT and subject to change without prior notice. (E & OE Notice - pg103)



# Brake Drums

## 2500kg Axle

### Components

Brake Drum	Grease Cap	Split Pin	Castle Nut	Spacer	Bearings	Wheel Bolt	Oil Seal
<b>HBB250A.03C</b>	GCAP62.1	M4x40SP	M24CN/M24CNW	M24BSFW	B30206 & B30208	M16WN & M16WS	OS48-80-10
<b>HBB250A.04C</b>	GCAP62.1	M4x40SP	M24CN/M24CNW	M24BSFW	B30206 & B30208	M12WS & M12WN	OS48-80-10
<b>HBB250A.07C</b>	GCAP62.1	M4x40SP	M24CN/M24CNW	M24BSFW	B30206 & B32008	M14WSR & M14WN	OS48-80-10

Stock Code	Description	Price Each
<b>HBB250A.03C</b>	Complete Brake Drum 5/165 pcd	R 1,930.00
<b>HBB250A.04C</b>	Complete Brake Drum 6/139.7 pcd	R 1,930.00
<b>HBB250A.07C</b>	Complete Brake Drum 5/150 pcd	R 1,930.00
<b>GCAP62.1</b>	Grease Cap 62mm	R 31.00
<b>M4X40SP</b>	Split Pin	R 2.00
<b>M24CN/M24CNW</b>	M24 Castle Nut M24x1.5/Castle Nut Flanged M24x1.5	R 39.00 / R32.00
<b>M24BSFW</b>	Spacer 25mmx44mmx4mm	R 8.00
<b>B30206</b>	Bearing 30206	R 90.00
<b>B30208</b>	Bearing 30208	R 175.00
<b>M12WS</b>	M12 Wheel Studs 1,5mm	R 9.00
<b>M12WN</b>	M12 Wheel Nuts 1,5mm	R 8.00
<b>M14WSR</b>	M14 Wheel Studs 1,5mm	R 25.00
<b>M14WN</b>	M14 Wheel Nuts 1,5mm	R 26.00
<b>M16WN</b>	M16 Nuts 1,5mm	R 16.00
<b>M16WS</b>	M16 Wheel Studs 1,5mm	R 29.00
<b>OS48-80-10</b>	Oil Seal 48x80x10	R 41.00

Prices are exclusive of VAT and subject to change without prior notice. (E & OE Notice - pg103)

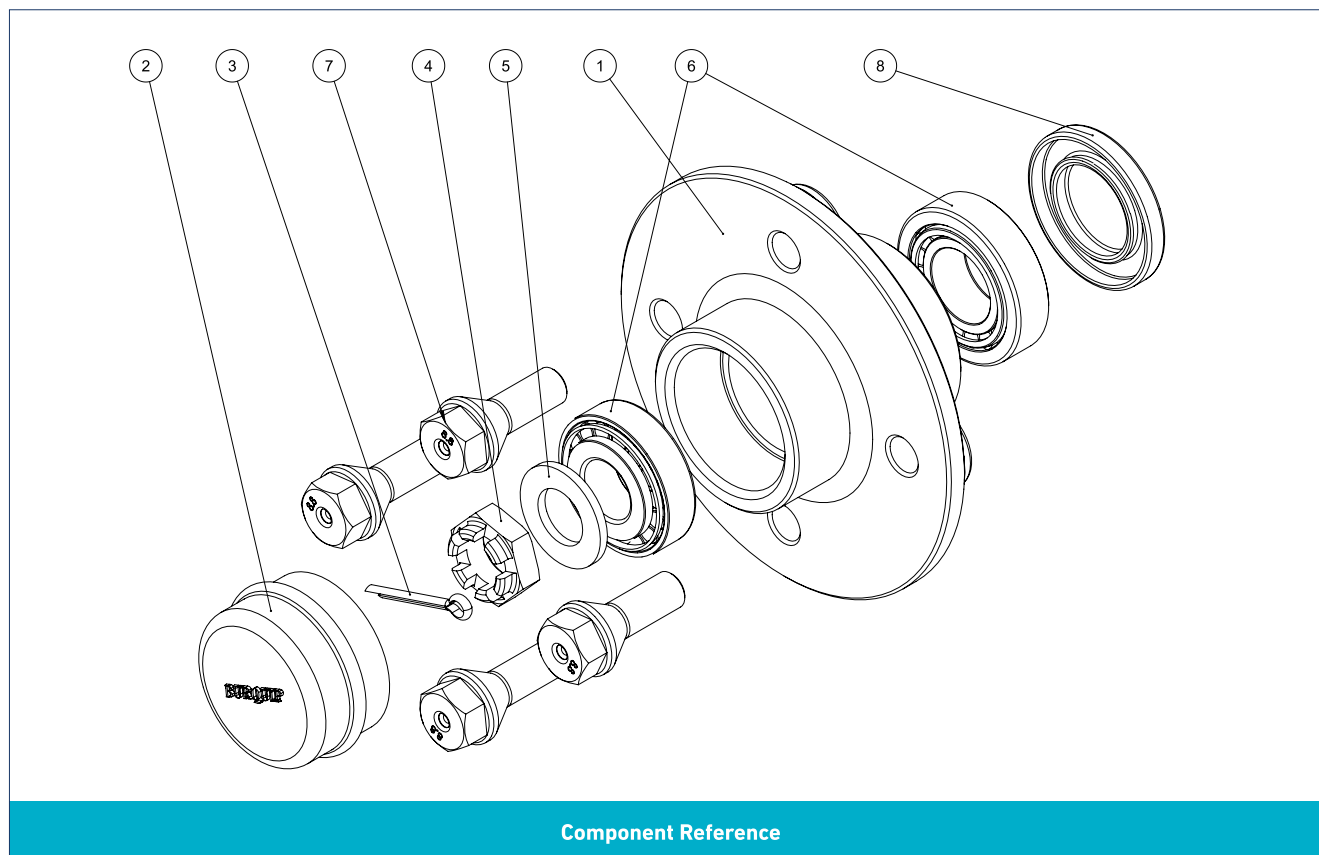


# Hubs

## 750kg Unbraked Axles

**Components**

Hub (No. 1)	Grease Cap (No. 2)	Split Pin (No. 3)	Castle Nut (No. 4)	Spacer (No. 5)	Bearings (No. 6)	Wheel Bolt (No. 7)	Oil Seal (No. 8)
HUB0450.01C	GCAP47.1	M3.2X36SP	M18CN/M18CNW	M20BSFW	B30204 & B30205	M12WB24	OS30-52-7



Component Reference

Prices are exclusive of VAT and subject to change without prior notice. (E & OE Notice - pg103)



# Hubs

## 750kg Unbraked Axles

Stock Code	Description	Price Each
<b>HUB0450.01C</b>	Complete Hub 4/100 pcd only, hub excludes spindle	R 625.00
<b>GCAP47.1</b>	Grease Cap 47mm	R 25.00
<b>M3.2x36SP</b>	M3,2mm Split Pin	R 2.00
<b>M18CN/M18CNW</b>	M18 Castle Nut M18x1.5/Castle Nut Flanged M18x1.5	R 23.00 / R21.00
<b>M20BSFW</b>	Spacer 19mmx34mmx3mm	R 5.00
<b>B30204</b>	Bearing 30204	R 79.00
<b>B30205</b>	Bearing 30205	R 84.00
<b>M12WB24</b>	M12 Wheel Bolt 1,5mm	R 11.00
<b>OS30-52-7</b>	Oil Seal 30x52x7	R 16.00

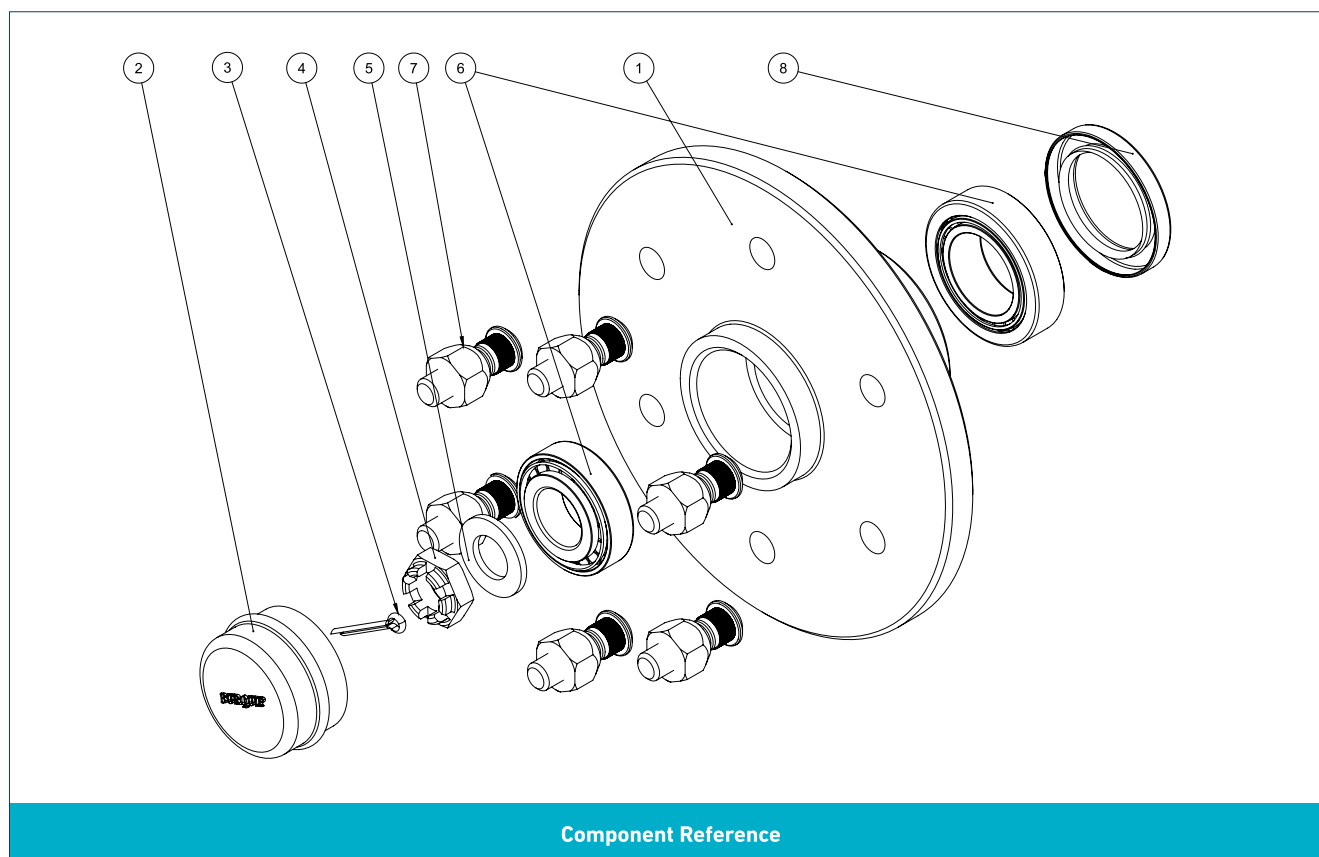


# Hubs

## 1600kg Unbraked Axles

### Components

Hub (No. 1)	Grease Cap (No. 2)	Split Pin (No. 3)	Castle Nut (No. 4)	Spacer (No. 5)	Bearings (No. 6)	Wheel Bolt (No. 7)	Oil Seal (No. 8)
HUB0800B.01C	GCAP52.1	M3.2X36SP	M18CN/M18CNW	M20BSFW	B30205 & B32007	M12WB24	OS42-62-7
HUB0800B.02C	GCAP52.1	M3.2X36SP	M18CN/M18CNW	M20BSFW	B30205 & B32007	M12WB24	OS42-62-7
HUB0800B.03C	GCAP52.1	M3.2X36SP	M18CN/M18CNW	M20BSFW	B30205 & B32007	M16WN & M16WS	OS42-62-7
HUB0800B.04C	GCAP52.1	M3.2X36SP	M18CN/M18CNW	M20BSFW	B30205 & B32007	M12WB24	OS42-62-7
HUB0800B.04SC	GCAP52.1	M3.2X36SP	M18CN/M18CNW	M20BSFW	B30205 & B32007	M12WS & M12WN	OS42-62-7
HUB0800B.07C	GCAP52.1	M3.0ARC	M18CN/M18CNW	M20BSFW	B30205 & B32007	M14WSR & M14WN	OS42-62-7



Prices are exclusive of VAT and subject to change without prior notice. (E & OE Notice - pg103)



# Hubs

## 1600kg Unbraked Axles

Stock Code	Description	Price Each
HUB0800B.01C	Complete Hub 4/100 pcd only, hub excludes spindle	R 1,100.00
HUB0800B.02C	Complete Hub 5/114.3 pcd only, hub excludes spindle	R 1,100.00
HUB0800B.03C	Complete Hub 5/165 pcd only, hub excludes spindle	R 1,100.00
HUB0800B.04C	Complete Hub 6/139.7 pcd only, hub excludes spindle	R 1,100.00
HUB0800B.04SC	Complete Hub 6/139.7 pcd only, hub excludes spindle	R 1,100.00
HUB0800B.07C	Complete Hub 5/150 pcd only, hub excludes spindle	R 1,135.00
GCAP52.1	Grease Cap 52mm	R 29.00
M3.2x36SP	M3,2mm Split Pin	R 2.00
M3.0ARC	R Clip 3.0mm	R 2.00
M18CN/M18CNW	M18 Castle Nut M18x1.5/Castle Nut Flanged M18x1.5	R 23.00 / R21.00
M20BSFW	Spacer 19mmx34mmx3mm	R 5.00
B30205	Bearing 30205	R 84.00
B32007	Bearing 32007	R 110.00
M12WB24	M12 Wheel Bolt 1,5mm	R 11.00
M12WS	M12 Wheel Studs 1,5mm	R 9.00
M12WN	M12 Wheel Nuts 1,5mm	R 8.00
M14WSR	M14 Wheel Studs 1,5mm	R 25.00
M14WN	M14 Wheel Nuts 1,5mm	R 26.00
M16WN	M16 Nuts 1,5mm	R 16.00
M16WS	M16 Wheel Studs 1,5mm	R 29.00
OS42-62-7	Oil Seal 42x62x7	R 17.00

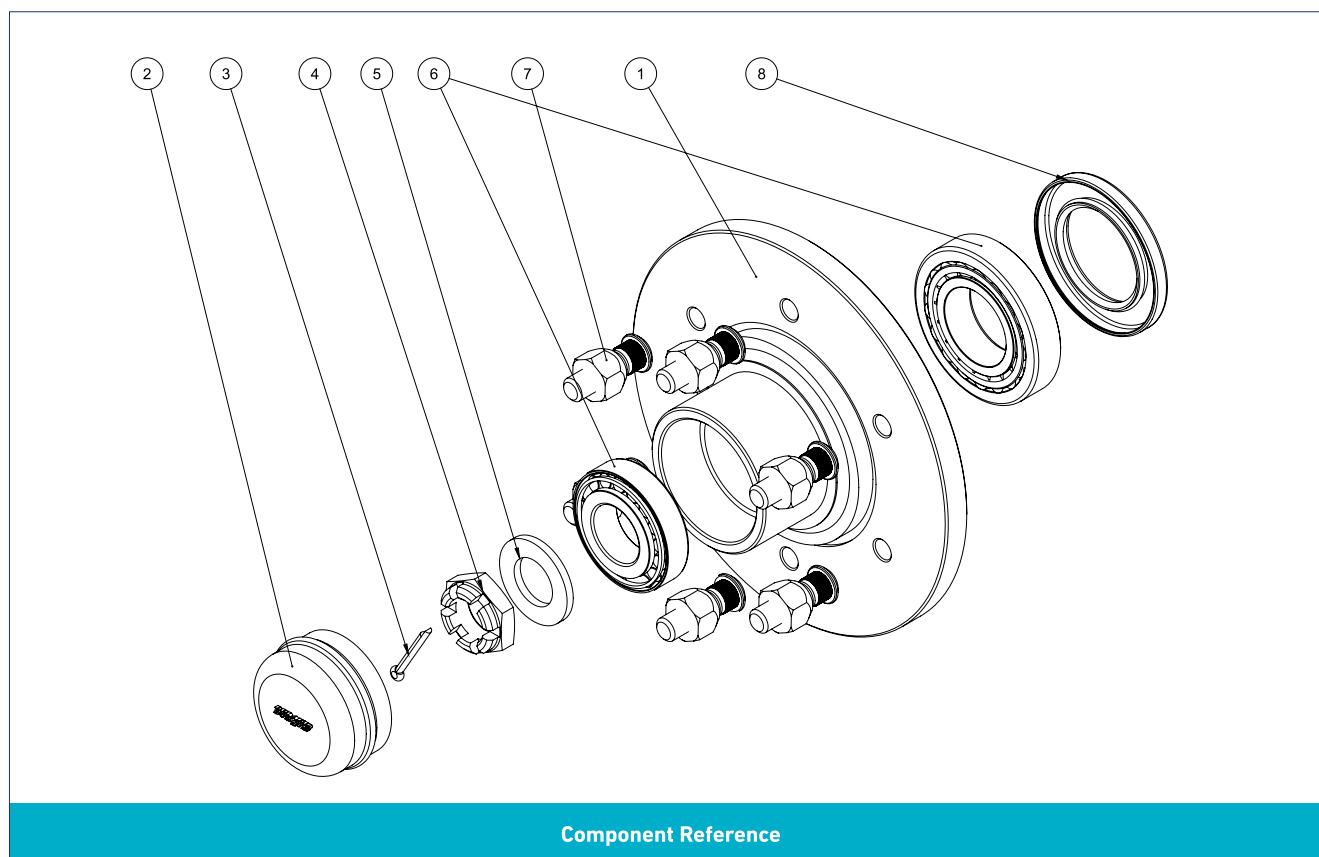


# Hubs

## 2500kg Unbraked Axles

### Components

Hub (No. 1)	Grease Cap (No. 2)	Split Pin (No. 3)	Castle Nut (No. 4)	Spacer (No. 5)	Bearings (No. 6)	Wheel Bolt (No. 7)	Oil Seal (No. 8)
HUB1250.02C	GCAP62.1	M4X40SP	M24CN/M24CNW	M24BSFW	B30206 & B30208	M12WB24	OS48-80-10
HUB1250.03C	GCAP62.1	M4X40SP	M24CN/M24CNW	M24BSFW	B30206 & B30208	M16WN & M16WS	OS48-80-10
HUB1250.04C	GCAP62.1	M4X40SP	M24CN/M24CNW	M24BSFW	B30206 & B30208	M12WB24	OS48-80-10
HUB1250.04SC	GCAP62.1	M4X40SP	M24CN/M24CNW	M24BSFW	B30206 & B30208	M12WS & M12WN	OS48-80-10
HUB1250.07C	GCAP62.1	M4X40SP	M24CN/M24CNW	M24BSFW	B30206 & B30208	M14WSR & M14WN	OS48-80-10



Prices are exclusive of VAT and subject to change without prior notice. (E & OE Notice - pg103)



# Hubs




## 2500kg Unbraked Axles

Stock Code	Description	Price Each
HUB1250.02C	Complete Hub 5/114.3 pcd, 2500kg unbraked axles	R 1,280.00
HUB1250.03C	Complete Hub 5/165 pcd, 2500kg unbraked axles	R 1,280.00
HUB1250.04C	Complete Hub 6.139.7 pcd, 2500kg unbraked axles	R 1,280.00
HUB1250.04SC	Complete Hub 6/139.7 pcd, 2500kg unbraked axles	R 1,280.00
HUB1250.07C	Complete Hub 5/150 pcd, 2500kg unbraked axles	R 1,450.00
GCAP62.1	Grease Cap 62mm	R 31.00
M4x40SP	Split Pin M4	R 2.00
M24CN/M24CNW	M24 Castle Nut M24x1.5/Castle Nut Flanged M24x1.5	R 39.00 / R32.00
M24BSFW	Spacer 25mmx44mmx4mm	R8.00
B30206	Bearing 30206	R90.00
B30208	Bearing 30208	R175.00
M12WB24	M12 Wheel Bolt 1,5mm	R11.00
M12WS	M12 Wheel Studs 1,5mm	R9.00
M12WN	M12 Wheel Nuts 1,5mm	R8.00
M14WSR	M14 Wheel Studs 1,5mm	R25.00
M14WN	M14 Wheel Nuts 1,5mm	R26.00
M16WN	M16 Nuts 1,5mm	R16.00
M16WS	M16 Wheel Studs 1,5mm	R29.00
OS48-80-10	Oil Seal 48x80x10	R41.00







## Electrical Cable

Image	Stock Code	Description	Price
	EC5C	Cable 5 Core 0.75mm Sold in 5m increments	R 145.00/5m
	EC7C	Cable 7 Core 0.75mm Sold in 5m increments	R 190.00/5m
	Q-EJB001	Electrical Junction Box	R 145.00

## Light Boxes

Image	Stock Code	Description	Price
	LB01P	Light Box 2 Lens 110	R 81.00
	LB03P	Light Box 1 Lens 110	R 51.00

Prices are exclusive of VAT and subject to change without prior notice. (E & OE Notice - pg103)



## Lights

Image	Stock Code	Description	Price
	<b>EL08</b>	Kombi light 100X95X50mm	R 48.00
	<b>ELKOM</b>	Kombi light 180X95X55mm	R 90.00
	<b>EL08LED</b>	Kombi light LED 100X100X40mm	R 235.00
	<b>ELEDC2</b>	Kombi light LED 110 round	R 250.00
	<b>EL02AS</b>	Lamp 110 Semi Sealed - Amber	R 48.00
	<b>EL02A</b>	Lamp Sealed, with gasket - Amber (SABS Approved)	R 84.00
	<b>EL02RS</b>	Lamp 110 Semi Sealed - Red	R 48.00
	<b>EL02R</b>	Lamp Sealed, with gasket - Red (SABS Approved)	R 84.00
	<b>EL02ALED19</b>	Lamp LED 110 - Amber - Gasket included	R 390.00
	<b>EL02RLED19</b>	Lamp LED 110 - Red - Gasket included	R 390.00

Prices are exclusive of VAT and subject to change without prior notice. (E & OE Notice - pg103)




## Lights

Image	Stock Code	Description	Price
	EL-DF-TRL003	Tail Light LED 105.5x97.8x36.4mm	R 160.00
	EL-DF-TRL019L	45° Side Marker Light LED 150.2X141.5X56.9mm	R 210.00
	EL-DF-TRL019R	45° Side Marker Light LED 150.2X141.5X56.9mm	R 210.00
	EL-DF-TRL020	Marker Light LED Red / White 116.8x41.7x38.1mm	R 100.00
	EL-DF-TRL95A	Tail Light LED Round 95 Diameter	R 225.00
	EL-DSF-TRL030AL	Tail Light LED - Left 164.7x79.8x35.4mm 12V - 24V	R 225.00
	EL-DSF-TRL030AR	Tail Light LED - Right 164.7x79.8x35.4mm 12V - 24V	R 225.00
	EL-ICL97	Wall or Ceiling Mount LED Light Single Lens 176x115x29mm 12V	R 145.00

Prices are exclusive of VAT and subject to change without prior notice. (E & OE Notice - pg103)



## Lights

Image	Stock Code	Description	Price
	<b>EL-ICL98</b>	Wall or Ceiling Mount LED Light Double Lens 292x116x29mm 12V	R 235.00
	<b>EL-PLL8AB</b>	Awning Lamp Amber - LED 248x87x56mm 12V - 24V	R 225.00
	<b>EL-PLL8CB</b>	Awning Lamp Clear - LED 248x87x56mm 12V - 24V	R 225.00
	<b>ELN12</b>	Number Plate Light 67.4x38.5x35.9mm 12V - 24V	R 48.00
	<b>ELN12LED</b>	Number Plate Light - LED 100% Waterproof 74.6x35.5x34mm 12V - 24V	R 115.00
	<b>EL02A-BQ</b>	Tail Lamp Sealed - Amber	R 95.00
	<b>EL02R-BQ</b>	Tail Lamp Sealed - Red	R 95.00
	<b>EL02ALED19-BQ</b>	Amber LED Light with Gasket	R 175.00

Prices are exclusive of VAT and subject to change without prior notice. (E & OE Notice - pg103)








## Lights

Image	Stock Code	Description	Price
	EL02RLED19-BQ	Red LED Light with Gasket	R 175.00
	ELEDC2-BQ	LED - Combination Light	R 185.00



## Plugs & Adaptors

Image	Stock Code	Description	Price
	E7PFMPC	7 Pin Female Plug - Metal	R 79.00
	E7PMPC	7 Pin Male Plug - Metal	R 74.00
	E7PMPPC	7 Pin Male Plug - Plastic	R 48.00
	E7PMPD3000-4000	7 Pin 3M Electric Coil	R 405.00
	E7-13	13 Pin to 7 Pin 12 Volt Adaptor	R 42.00
	E7PH	7 Pin Male Plug Holder	R 42.00

Prices are exclusive of VAT and subject to change without prior notice. (E & OE Notice - pg103)



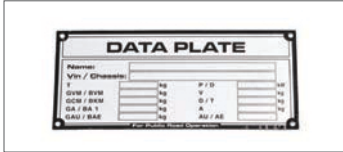


## Reflective Components

Image	Stock Code	Description	Price
	<b>EREFA</b>	Reflector Amber 70x35	R 8.00
	<b>EREFA40</b>	Refelctor Amber 90x40	R 11.00
	<b>EREFC</b>	Reflector Clear 70x35	R 8.00
	<b>EREFC40</b>	Reflector Clear 90x40	R 11.00
	<b>EREFR</b>	Reflector Red 70X30	R 8.00
	<b>EREFR40</b>	Reflector Red 90X40	R 11.00
	<b>ERETR150</b>	Reflector Red Triangle 150	R 16.00
	<b>EBQRT</b>	Reflective Tape Sold in 5m increments	R 135.00/5m
	<b>EADRT</b>	Reflective Tape - Amber Sold in 5m increments	R 270.00/5m
	<b>E3M</b>	3m Reflective Tape - Amber Sold in 5m increments	R 290.00/5m
	<b>CV1040</b>	Chevron 1040mm	R 310.00
	<b>CV1200</b>	Chevron 1200mm	R 330.00
	<b>CV1200S</b>	Chevron 1200mm - Stick On	R 250.00
	<b>CV1400</b>	Chevron 1400mm	R 375.00
	<b>CV1600</b>	Chevron 1600mm	R 385.00
	<b>CV1700</b>	Chevron 1700mm	R 395.00
	<b>CV1700S</b>	Chevron 1700mm - Stick On	R 280.00
	<b>CV1800</b>	Chevron 1800mm	R 405.00



Prices are exclusive of VAT and subject to change without prior notice. (E & OE Notice - pg103)



## Data Plate

Image	Stock Code	Description	Price
	DP001	Data Plate	R 32.00
	Z006	Plastic single disc holder	R 23.00
	Z007	Truck disc holder (Galvanised)	R 55.00

## Hand Winches

Image	Stock Code	Description	Price
	HW1760	Hand winch 800kg double gear	R 775.00
	HW2500	Hand winch 1135kg	R 855.00

Prices are exclusive of VAT and subject to change without prior notice. (E & OE Notice - pg103)





# Tie-Downs

Stock Code	Description	Length	Safe Work	Break	Price
HR50BRT01	Bolt-On Retractable Ratchet Strap	1.68m	500kg	1,500kg	R555.00
ZAC-WC-TD01	Wheel Chock Tie-Down Kit	2.74m	227kg	680kg	R545.00
HR25CB01	Smart Cam Buckle Tie-Down	3.05m	182kg	545kg	R160.00
HR25RRT01	Retractable Ratchet Tie-Down	3.05m	182kg	545kg	R399.00
HR25RT02	Owl Ratchet Tie-Down	3.05m	227kg	680kg	R200.00
HR25RT01	Ratchet Tie Down	4m	227kg	682kg	R145.00
HR100WS01	Winch Strap With Flat Hook	9.15m	2,454kg	7,364kg	R200.00
HR50RT02	Ratchet Tie-Down & Strap	12m	1,667kg	5,000kg	R240.00



HR50BRT01



ZAC-WC-TD01



HR25CB01



HR25RRT01



HR25RT02



HR25RT01



HR100WS01






HR50RT02

Prices are exclusive of VAT and subject to change without prior notice. (E & OE Notice - pg103)



## Hinges, Brackets & Fittings

Image	Stock Code	Description	Price
	Z001	Toggle catch & hook	R 90.00
	Z002	Heavy duty toggle latch	R 165.00
	Z003	Heavy duty stiker	R 39.00
	Z004	Toggle latch and link plate	R 135.00
	Z015	Anti-Luce short with nut	R 58.00
	Z016	Anti-Luce long with nut	R 69.00
	Z017	Anti-Luce weld on	R 53.00
	Z0020	Slide on hinge	R 69.00

Prices are exclusive of VAT and subject to change without prior notice. (E & OE Notice - pg103)



Image	Stock Code	Description	Price
	Z0021	Heavy duty slide on hinge	R 330.00
	Z022	Drop side hinge	R 95.00
	Z023	Spring bolt	R 58.00
	Z027	Short Double Bracket	R 79.00
	Z028	Overcentre Thin Latch Adjustable 262mm Long	R 108.00
	Z029A	Engaging Hook for Z028 - Straight	R 16.00
	Z029B	Engaging Hook for Z028 - Bent	R 13.00
	Z030A	Fastener with Spring Catch 206mm Long	R 69.00
	Z030B	Fastener with Spring Catch 105mm Long	R 58.00

Prices are exclusive of VAT and subject to change without prior notice. (E & OE Notice - pg103)



Image	Stock Code	Description	Price
	Z031A	Catch Plate for Z030 - Straight	R 17.00
	Z031B	Catch Plate for Z030 - Kink	R 21.00
	Z031C	Catch Plate for Z030 - Short Bent	R 17.00
	Z031D	Catch Plate for Z030 - Long Bent	R 24.00
	Z032	Overcentre Wide Latch 219mm Long	R 120.00
	Z033	Catch Plate for Z032	R 32.00
	Z034	Folding Seal Ring	R 15.00
	ZAC-STEP-01	Alu Entry Step - Manual	R2,500.00

Prices are exclusive of VAT and subject to change without prior notice. (E & OE Notice - pg103)



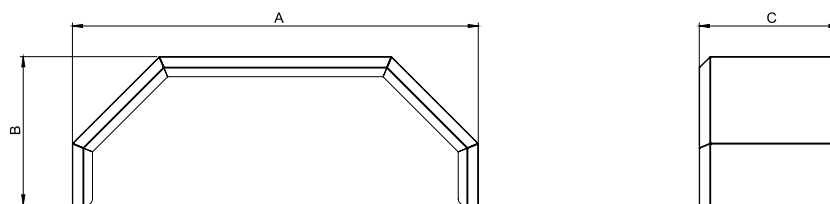
## Tail Boards

Image	Stock Code	Description	Price
	ETAIL1220LED	uPVC board with LED lights 1220mm x 152mm	R 1,120.00
	ETAIL1220	uPVC board with incandescent lights 1220mm x 152mm	R 735.00



# Mudguards

Stock Code	Description	Wheel Size	A (mm)	B (mm)	C (mm)	Price Each
MS7.13-1U	Un-galvanised single	10" to 13"	660	241	227	R 205.00
MS7.13-1G	Galvanised single	10" to 13"	660	241	227	R 480.00
MS7.13-2U	Un-galvanised tandem	10" to 13"	1378	241	227	R 345.00
MS7.13-2G	Galvanised tandem	10" to 13"	1378	241	227	R 825.00
MS7.14-1U	Un-galvanised single	14"	723	271	254	R 250.00
MS7.14-1G	Galvanised single	14"	723	271	254	R 575.00
MS7.14-2U	Un-galvanised tandem	14"	1503	241	254	R 415.00
MS7.14-2G	Galvanised tandem	14"	1503	241	254	R 960.00
MS7.15-1U	Un-galvanised single	15"	862	303	297	R 310.00
MS7.15-1G	Galvanised single	15"	862	303	297	R 750.00
MS7.15-2U	Un-galvanised tandem	15"	1649	241	297	R 499.00
MS7.15-2G	Galvanised tandem	15"	1649	241	297	R 1,150.00



MS7-series

Prices are exclusive of VAT and subject to change without prior notice. (E & OE Notice - pg103)



**E&OE NOTICE**

While we strive to provide accurate product and pricing information, unintentional pricing or typographical errors may occur. We reserve the right to correct any errors, inaccuracies or omissions and to change or update information (including, without limitation, images, information related to text, pricing, availability and product descriptions) at any time without notice.

Prices are subject to change without prior notice.

Johannesburg: 011 396 6000  
Pretoria: 012 030 1800  
Cape Town: 021 907 1900  
Durban: 031 792 1020  
Vereeniging: 016 100 6150

[information@burquip.co.za](mailto:information@burquip.co.za)



[www.burquip.co.za](http://www.burquip.co.za)