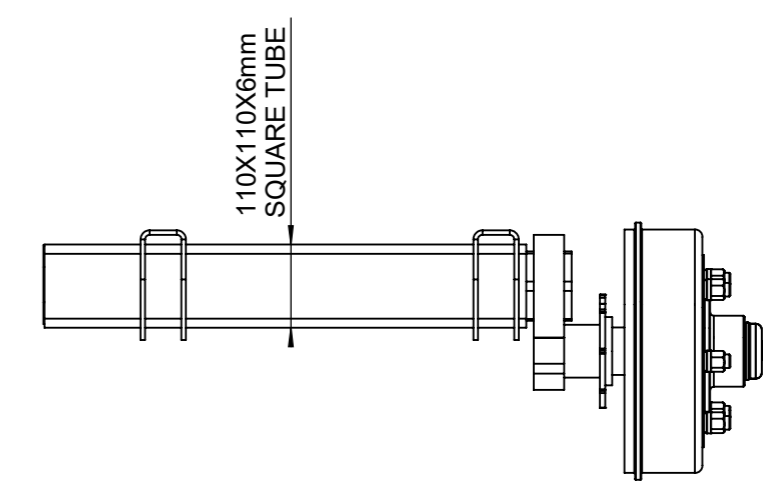
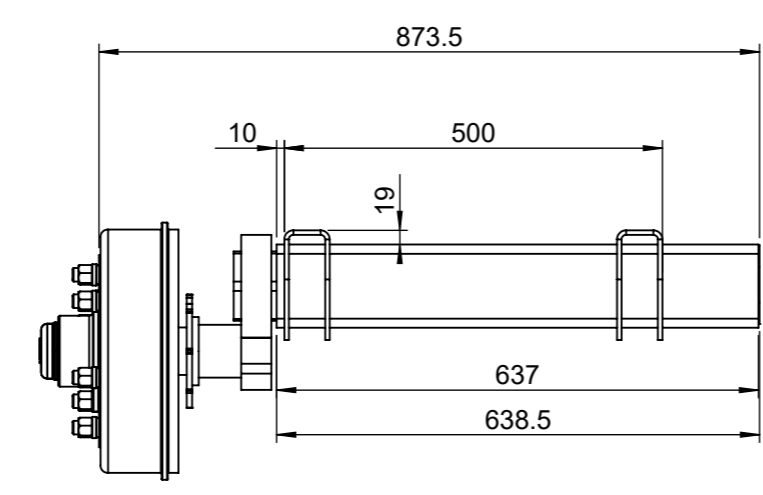


- NOTES:
- i TOE IN 0.2° TO 0.6°
  - ii CAMBER -0.6° TO -1.4°



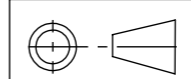
© COPYRIGHT BURQUIP INTERNATIONAL (Pty) Ltd

TITLE:



ASSUME A TOLERANCE OF ±1mm FOR DIMENSIONS WITHOUT TOLERANCES ALL DIMENSIONS IN mm UNLESS OTHERWISE SHOWN

PRODUCT: **ARC3000/3500 STUB PAIR**



SCALE: 1:10 SHEET: A3  
DRAWN BY: HILTON MILLWARD  
DATE: 2009-06-24

DRAWING NO. **ARC3000-3500L&R** SHEET 1 of 1

REV **P1**

REV	DESCRIPTION OF CHANGE
P1	RELEASED

ZONE	AUTH NO.	BY	DATE