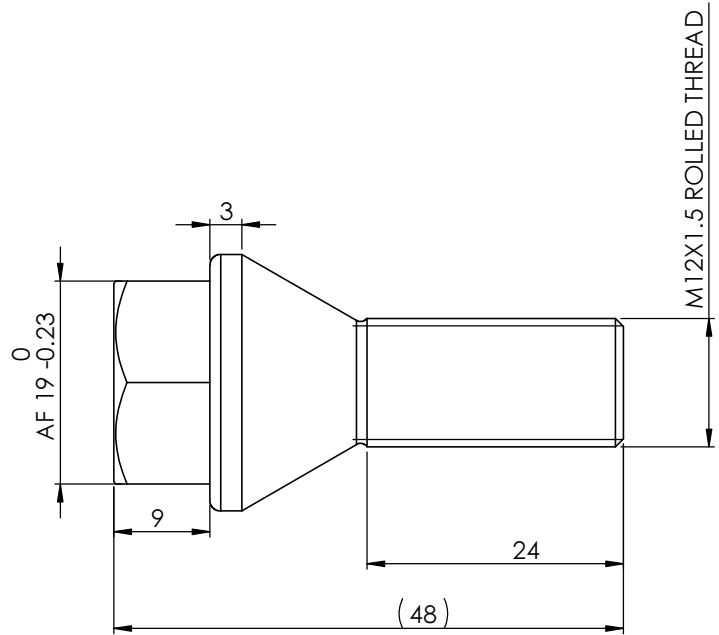


ELECTROPLATE ZINC



8.8 HIGH TENSILE COLD FORMED	
MATERIAL DESCRIPTION		MATERIAL SIZE
TITLE:		
PRODUCT: WHEEL BOLT M12X24		BURQUIP
SCALE: 2:1	SHEET: A3	
DRAWN BY: HILTON MILLWARD		M12WB24
DATE: 2001-05-10		

© BURQUIP INTERNATIONAL (Pty) Ltd

ASSUME A TOLERANCE OF ±1mm FOR DIMENSIONS WITHOUT TOLERANCES ALL DIMENSIONS IN mm UNLESS OTHERWISE SHOWN

REV	DESCRIPTION OF CHANGE	ZONE	AUTH NO.	BY	DATE
...	...				
...	...				
...	...				
...	...				