





Contents

Rubbaride™ Axles - Up to 3500kg	05
Rubbaride™ Stub Axles without brakes	05
Rubbaride™ Full Beam Axles without brakes	06
Rubbaride™ Stub Axles with drum brakes	07
Rubbaride™ Full Beam Axles with drum brakes	08
Standard High Speed Axles - Up to 3500kg	09
Standard High Speed Axles without brakes	09
Standard High Speed Axles with brakes	11
Agricultural Implement Axles	12
Full Beam Axles without brakes	12
Full Beam Axles with brakes (Flat Cam)	13
Standard High Speed Axles - 3500kg to 13000kg	14
Transmission Components	15
Bearing Kits	17
Wheels	20
High Speed Trailer & Caravan Wheels	20
Rim & Tyre Combos	28
Agricultural Tractor & Implement Wheels	32
Hydraulic Cylinders	37
Base Pin Mounted Cylinders	37
Center Trunnion Mounted Cylinders	40
Brake Cylinder Kit	44
Ball & Socket Tipping Joint	45
Tie-Rod Cylinders	46
Turntables	48
Power Take-Off Series	50
Complete PTO's - 4S	50
Complete PTO's - 6S	50
PTO Spares - 4S	51
PTO Spares - 6S	52
Couplers	53
With Brakes	53
Without Brakes	54
Tow Eyes	55



Landing Gear	56
Jockey Wheels & Clamps	56
Parking Jacks	58
Stabiliser Legs	60
Suspensions	61
Leaf Springs	61
Spring Kits	63
Spring Mounting Kits	64
Mechanical Spring Kits: 3500kg-36000kg	66
Parabolic Springs	67
U-bolts & 5 Hole Plates	68
U-bolts	68
5 Hole Plates	69
Saddles, Bolts & Hangers	70
Saddles	70
Bolts	70
Hangers	71
Wheel Studs & Nuts	72
Wheel Studs	72
Wheel Nuts	73
Nylock Nuts	73
Castle Nuts & Grease Caps	74
Caste Nuts	74
Grease Caps	75
Knott Braked Coupler Spares	76
Pressed Steel Bodies	76
Cast Iron Bodies	78
Coupler Din Eye Heads	79
Brake Mechanisms	80
BK200	80
BK250B	81
BK250A	82
Introduction to Pitch Circle Diameters (PCD)	83
Brake Drums	84
1600kg Axle	84
1800kg Axle	85
2500kg Axle	86



Hubs	87
750kg Unbraked Axle	87
1600kg Unbraked Axle	89
2500kg Unbraked Axle	91
Electrical & Reflective Components	93
Electrical Cable	93
Light Boxes	93
Lights	94
Plugs & Adaptors	97
Reflective Components	98
Body Components	99
Data Plate	99
Hand Winches	99
Tie-Downs	100
Hinges, Brackets & Fittings	101
Tail Boards	104
Mud Guards	105
Contact Details	106



Rubbaride™ Stub Axles

Without Brakes

Stock Code	Capacity	Stud Fixing	Price Per Stub
AR0550/0750L / AR0550/0750R	550kg to 750kg (Pair)	4/61/100	R 2,195.00
AR0900/1150L / AR0900/1150R	900kg to 1150kg (Pair)	Optional	R 4,380.00
AR1200/1600L / AR1200/1600R	1200kg to 1600kg (Pair)	Optional	R 4,510.00
AR1300/1800L / AR1300/1800R	1300kg to 1800kg (Pair)	Optional	R 4,510.00
AR2000/2500L / AR2000/2500R	2000kg to 2500kg (Pair)	Optional	R 8,390.00
AR3000/3500L / AR3000/3500R	3000kg to 3500kg (Pair)	6/160.8/205	R 9,995.00



When two axles are to be used in tandem, the order must state it.

Where two axles are used in tandem without a load sharing mechanism, the carrying capacity of the combination is reduced by 17%.

Prices are exclusive of VAT and subject to change without prior notice. (E & OE Notice - pg105)



Rubbaride™ Full Beam Axles Without Brakes

Stock Code	Capacity	Stud Fixing	Price Each
AR0550/0750-1	550kg to 750kg	4/61/100	R 4,195.00
AR0900/1150-1	900kg to 1150kg	Optional	R 7,995.00
AR1200/1600-1	1200kg to 1600kg	Optional	R 8,995.00
AR1300/1800-1	1300kg to 1800kg	Optional	R 8,895.00
AR2000/2500-1	2000kg to 2500kg	Optional	R 16,595.00
AR3000/3500-1	3000kg to 3500kg	6/160.8/205	R 18,295.00



When two axles are to be used in tandem, the order must state it.

Where two axles are used in tandem without a load sharing mechanism, the carrying capacity of the combination is reduced by 17%.

Prices are exclusive of VAT and subject to change without prior notice. (E & OE Notice - pg105)



Rubbaride™ Stub Axles

With Drum Brakes

Stock Code	Capacity	Stud Fixing	Brake Size	Brake Capacity	Price Per Stub
ARC0900/1150L / ARC0900/1150R	900kg to 1150kg (Pair)	Optional	200X50	1600kg	R 5,760.00
ARC1200/1600L / ARC1200/1600R	1200kg to 1600kg (Pair)	Optional	200X50	1600kg	R 5,995.00
ARC1300/1800L / ARC1300/1800R	1300kg to 1800kg (Pair)	Optional	250X40	1800kg	R 6,995.00
ARC2000/2500L / ARC2000/2500R	2000kg to 2500kg (Pair)	Optional	250X50	2500kg	R 11,295.00
ARC3000/3500L / ARC3000/3500R	3000kg to 3500kg (Pair)	Optional	250X50	2500kg	R16,995.00



ARC1200-1600L&R

When two axles are to be used in tandem, the order must state it.

Where two axles are used in tandem without a load sharing mechanism, the carrying capacity of the combination is reduced by 17%. Price excludes brake cable.

Prices are exclusive of VAT and subject to change without prior notice. (E & OE Notice - pg105)



Rubbaride™ Full Beam Axles

With Drum Brakes

Stock Code	Capacity	Stud Fixing	Brake Size	Brake Capacity	Price Each
ARC0900/1150-1	900kg to 1150kg	Optional	200X50	1600kg	R 11,295.00
ARC1200/1600-1	1200kg to 1600kg	Optional	200X50	1600kg	R 11,995.00
ARC1300/1800-1	1300kg to 1800kg	Optional	250X40	1800kg	R 13,595.00
ARC2000/2500-1	2000kg to 2500kg	Optional	250X50	2500kg	R 21,995.00
ARC3000/3500-1	3000kg to 3500kg	6/160/205	305X80	3500kg	R 32,995.00



When two axles are to be used in tandem, the order must state it.

Where two axles are used in tandem without a load sharing mechanism, the carrying capacity of the combination is reduced by 17%. Price excludes brake cable.

Prices are exclusive of VAT and subject to change without prior notice. (E & OE Notice - pg105)



Full Beam Axles Without Brakes

Stock Code	Load Capacity	Hub	Beam	H/H	Price Each
AF40A.H/H.01	900kg	4/61/100	Ø 40mm	Up to 1250mm	R 1,755.00
AF40A.H/H.01	900kg	4/61/100	Ø 40mm	1251mm to 1450mm	R 1,795.00
AF40A.H/H.01	900kg	4/61/100	Ø 40mm	1480mm to 1650mm	R 1,925.00
AF40A.H/H.01	900kg	4/61/100	Ø 40mm	1675mm to 1805mm	R 1,975.00
AF40A.H/H.01	900kg	4/61/100	Ø 40mm	1850mm to 2000mm	R 2,095.00
AF40A.H/H.01	900kg	4/61/100	Ø 40mm	2001mm to 2100mm	R 2,195.00
AF40A.H/H.01	900kg	4/61/100	Ø 40mm	2101mm to 2150mm	R 2,195.00
AF40A.H/H.01	900kg	4/61/100	Ø 40mm	2151mm to 2200mm	R 2,315.00
AF40A.H/H.01	900kg	4/61/100	Ø 40mm	2201mm to 2300mm	R 2,375.00
AF45A.H/H	1600kg	Optional	□ 45mm	Up to 1420mm	R 2,825.00
AF45A.H/H	1600kg	Optional	□ 45mm	1421mm to 1450mm	R 2,925.00
AF45A.H/H	1600kg	Optional	□ 45mm	1451mm to 1575mm	R 2,995.00
AF45A.H/H	1600kg	Optional	□ 45mm	1576mm to 1805mm	R 3,075.00
AF45A.H/H	1600kg	Optional	□ 45mm	1805mm to 1850mm	R 3,095.00
AF45A.H/H	1600kg	Optional	□ 45mm	1851mm to 1940mm	R 3,125.00
AF45A.H/H	1600kg	Optional	□ 45mm	1941mm to 2040mm	R 3,195.00
AF45A.H/H	1600kg	Optional	□ 45mm	2041mm to 2100mm	R 3,325.00
AF45A.H/H	1600kg	Optional	□ 45mm	2101mm to 2200mm	R 3,395.00
AF45A.H/H	1600kg	Optional	□ 45mm	2201mm to 2250mm	R 3,425.00
AF45A.H/H	1600kg	Optional	□ 45mm	2251mm to 2350mm	R 3,595.00



When two axles are to be used in tandem, the order must state it.

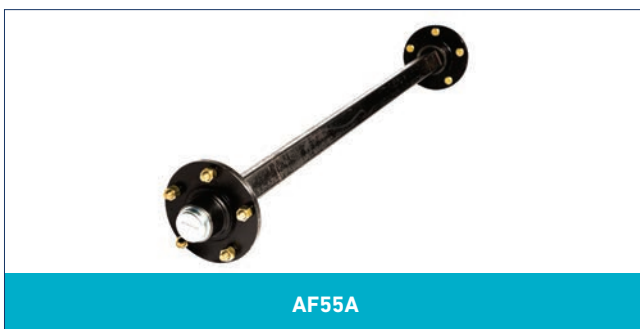
Where two axles are used in tandem without a load sharing mechanism, the carrying capacity of the combination is reduced by 17%.

Prices are exclusive of VAT and subject to change without prior notice. (E & OE Notice - pg105)



Full Beam Axles Without Brakes

Stock Code	Load Capacity	Hub	Beam	H/H	Price Each
AF50A.H/H	2500kg	Optional	□ 50mm	Up to 1740mm	R 3,795.00
AF50A.H/H	2500kg	Optional	□ 50mm	1801mm to 1950mm	R 3,975.00
AF50A.H/H	2500kg	Optional	□ 50mm	1951mm to 2050mm	R 4,175.00
AF50A.H/H	2500kg	Optional	□ 50mm	2051mm to 2140mm	R 4,275.00
AF50A.H/H	2500kg	Optional	□ 50mm	2141mm to 2400mm	R 4,425.00
AF55A.H/H	3000kg	Optional	□ 55mm	Up to 1675mm	R 4,295.00
AF55A.H/H	3000kg	Optional	□ 55mm	1676mm to 2300mm	POR
AF60A.H/H.05	4000kg	6/160/205	□ 60mm	Up to 1700mm	R 6,395.00
AF60A.H/H.05	4000kg	6/160/205	□ 60mm	1701mm to 2100mm	R 6,825.00
AF70A.H/H.05	6000kg	6/160.8/205	□ 70mm	Up to 1650mm	R 6,995.00
AF70A.H/H.05	6000kg	6/160.8/205	□ 70mm	1651mm to 1675mm	R 6,995.00
AF70A.H/H.05	6000kg	6/160.8/205	□ 70mm	1676mm to 1800mm	R 7,575.00
AF70A.H/H.05	6000kg	6/160.8/205	□ 70mm	1801mm to 1950mm	R 7,575.00
AF70A.H/H.05	6000kg	6/160.8/205	□ 70mm	1951mm to 2200mm	R 7,575.00



When two axles are to be used in tandem, the order must state it.

Where two axles are used in tandem without a load sharing mechanism, the carrying capacity of the combination is reduced by 17%.

Prices are exclusive of VAT and subject to change without prior notice. (E & OE Notice - pg105)



Full Beam Axles With Brakes

Stock Code	Load Capacity	Hub	Beam	Brake	Brake Capacity	H/H	Price Each
AFC45A.H/H	1600kg	Optional	□ 45mm	200x50	1600kg	Up to 1500mm	R 5,895.00
AFC45A.H/H	1600kg	Optional	□ 45mm	200x50	1600kg	1501mm to 1675mm	R 5,995.00
AFC45A.H/H	1600kg	Optional	□ 45mm	200x50	1600kg	1676mm to 1965mm	R 6,295.00
AFC45A.H/H	1600kg	Optional	□ 45mm	200x50	1600kg	1966mm to 2200mm	R 6,395.00
AFC45A.H/H	1600kg	Optional	□ 45mm	200x50	1600kg	2201mm to 2360mm	R 6,495.00
AFC50B.H/H	1800kg	Optional	□ 50mm	250x40	1800kg	Up to 1600mm	R 8,895.00
AFC50B.H/H	1800kg	Optional	□ 50mm	250x40	1800kg	1601mm to 1940mm	R 9,195.00
AFC50B.H/H	1800kg	Optional	□ 50mm	250x40	1800kg	1941mm to 2100mm	R 9,395.00
AFC50B.H/H	1800kg	Optional	□ 50mm	250x40	1800kg	2101mm to 2320mm	R 9,595.00
AFC50A.H/H	2500kg	Optional	□ 50mm	250x50	2500kg	Up to 1940mm	R 9,395.00
AFC50A.H/H	2500kg	Optional	□ 50mm	250x50	2500kg	1941mm to 2000mm	R 9,995.00
AFC50A.H/H	2500kg	Optional	□ 50mm	250x50	2500kg	2001mm to 2350mm	R 9,995.00
AFC55A.H/H	3000kg	Optional	□ 55mm	250x50	2500kg	Up to 2300mm	R 10,495.00
AFC60A.H/H	3500kg	6/160/205	□ 60mm	305x80	3500kg	Up to 2100mm	POR



When two axles are to be used in tandem, the order must state it.

Where two axles are used in tandem without a load sharing mechanism, the carrying capacity of the combination is reduced by 17%.

Prices are exclusive of VAT and subject to change without prior notice. (E & OE Notice - pg105)



Full Beam Axles

Without Brakes

Stock Code	Load Capacity	Hub	Beam	H/H	Price Each
AF55A.H/H	3000kg	Optional	□ 55mm	Up to 1675mm	R 4,295.00
AF55A.H/H	3000kg	Optional	□ 55mm	1676mm to 2300mm	POR
AF60A.H/H.05	4000kg	6/160/205	□ 60mm	Up to 1700mm	R 6,395.00
AF60A.H/H.05	4000kg	6/160/205	□ 60mm	1701mm to 2100mm	R 6,825.00
AF70A.H/H.05	6000kg	6/160.8/205	□ 70mm	Up to 1650mm	R 6,995.00
AF70A.H/H.05	6000kg	6/160.8/205	□ 70mm	1651mm to 1675mm	R 6,995.00
AF70A.H/H.05	6000kg	6/160.8/205	□ 70mm	1676mm to 1800mm	R 7,575.00
AF70A.H/H.05	6000kg	6/160.8/205	□ 70mm	1801mm to 1950mm	R 7,575.00
AF70A.H/H.05	6000kg	6/160.8/205	□ 70mm	1951mm to 2200mm	R 7,575.00
AF80C	8000kg	8/220/275	□ 80mm	1800mm	R 11,595.00
AF80C	8000kg	8/220/275	□ 80mm	2150mm	R12,495.00
AF90C	10000kg	10/275/335	□ 90mm	1800mm	R 17,495.00
AF100C.H/H	14000kg	10/275/335	□ 100mm	Up to 1850mm	R 21,390.00
AF100C.H/H	14000kg	10/275/335	□ 100mm	1851mm to 2050mm	R 22,595.00
AF100C.H/H	14000kg	10/275/335	□ 100mm	2051mm to 2200mm	R 22,695.00
AF100C.H/H	14000kg	10/275/335	□ 100mm	2201mm to 2250mm	R 22,895.00
AF100C.H/H	14000kg	10/275/335	□ 100mm	2251mm to 2300mm	R 22,995.00
AF100C.H/H	14000kg	10/275/335	□ 100mm	2301mm to 2700mm	R 25,595.00
AF100C.H/H	14000kg	10/275/335	□ 100mm	2701mm to 3300mm	R 25,595.00
AF127C.H/H	17000kg	10/275/335	∅ 127mm	Up to 2050mm	R 22,995.00
AF127C.H/H	17000kg	10/275/335	∅ 127mm	2051mm to 2200mm	R 23,295.00
AF127C.H/H	17000kg	10/275/335	∅ 127mm	2201mm to 2300mm	R 23,595.00
AF150C.H/H	17000kg	10/275/335	□ 150mm	Up to 2300mm	R 35,495.00
AF150C.H/H	17000kg	10/275/335	□ 150mm	2301mm to 3000mm	R 41,295.00

Prices are exclusive of VAT and subject to change without prior notice. (E & OE Notice - pg105)



Full Beam Axles With Brakes (Flat Cam)

Stock Code	Load Capacity	Hub	Beam	H/H	Brake Size	Price Each
AFB70C	6000kg	6/160.8/205	□ 70mm	1700mm	300X60	R 13,995.00
AFB70C	6000kg	6/160.8/205	□ 70mm	1800mm	300X60	R 14,595.00
AFB80C	8000kg	8/220/275	□ 80mm	1800mm	350X60	R 20,995.00
AFB90C	10000kg	10/275/335	□ 90mm	1800mm	400X80	R 27,595.00
AFB100C	14000kg	10/275/335	□ 100mm	2050mm	400X80	R 33,495.00



Price excludes brake cable.

Prices are exclusive of VAT and subject to change without prior notice. (E & OE Notice - pg105)



Full Beam Axles With Brakes (S-CAM)

Stock Code	Load Capacity	Hub	Beam	H/H	Brake Size	Price Each
AFB70AS6 Includes Manual Slack Adjusters	3500kg	6/160.8/205 Stud Mount	□ 70mm	1820mm Special: On Request	310X80	R 20,995.00
AFB70AS6A Includes Automatic Slack Adjusters	3500kg	6/160.8/205	□ 70mm	1820mm Special: On Request	310X80	R20,010.00
AFB70AS6ABS Includes ABS, Automatic Slack Adjusters	3500kg	6/160.8/205 Stud Mount	□ 70mm	1820mm Special: On Request	310X80	R 25,995.00
AFB80CS8ABS Includes ABS, Automatic Slack Adjusters	5000kg	8/220/275 Stud Mount	□ 80mm	1820mm	300X135	R 27,495.00
AFB80CS8ABS.2150 Includes ABS, Automatic Slack Adjusters	5000kg	8/220/275 Stud Mount	□ 80mm	2150mm	300X135	R 27,995.00
AFB127CS10.1920 Includes Automatic Slack Adjusters	13000kg	10/280/335 Spigot Mount*	Ø127mm	1920mm	420X180	R 36,995.00
AFB127CS10ABS.1920 Includes ABS, Automatic Slack Adjusters	13000kg	10/280/335 Spigot Mount*	Ø127mm	1896mm	420X180	R 37,995.00

Optional extras

Stock Code	Description	Price Each
M22WS.122	Longer studs for aluminium rim fitment (20 required per axle)	R77.00



AFB127CS10ABS.1920

Prices are exclusive of VAT and subject to change without prior notice. (E & OE Notice - pg105)



Transmission Components

Image	Stock Code	Description	Price
	BC01	Equaliser bracket tandem	R 210.00
	BC02	Equaliser bracket single	R 85.00
	BCK1140 BCK1440 BCK1740	Bell Inside Diameter: 18.5mm Brake cable 1140mm steel Brake cable 1440mm steel Brake cable 1740mm steel	R 215.00 R 215.00 R 215.00
	BCK1140S BCK1440S BCK1740S	Bell Inside Diameter: 18.5mm Brake cable 1140mm stainless steel Brake cable 1440mm stainless steel Brake cable 1740mm stainless steel	R 330.00 R 330.00 R 330.00
	BCALK1120 BCALK1350 BCALK1650	ALKO Spare Part Bell ID: 23.5mm Brake cable 1120mm steel Brake cable 1350mm steel Brake cable 1650mm steel	R 215.00 R 215.00 R 215.00
	BCK1168 BCK1468 BCK1745	160/200/250gsm Bell ID: 20.0mm Brake cable 1168mm steel Brake cable 1468mm steel Brake cable 1745mm steel	R 310.00 R 310.00 R 330.00
	M10RB	M10 threaded rod (3 meter lengths only)	R115.00

Prices are exclusive of VAT and subject to change without prior notice. (E & OE Notice - pg105)

**M10X36DN**

Dome nut

R29.00

**CHBL01**

Hand brake lever

R 875.00



Bearing Kits

Kit	Components	Description	Qty	ID (mm)	OD (mm)	Grease Cap (i)	Application	Price Each
BKIT01	B30204	Bearing 30204	1	20.0	47.0	Ø 47mm	Burquip: AF40A AF38A	R 165.00
	B30205	Bearing 30205	1	25.0	52.0			
	OS30-52-7	Seal 30-52-7	1	30.0	52.0			
	M3.2X36SP	Split Pin 3.2X36	1	-	-			
BKIT02	B30205	Bearing 30205	1	25.0	52.0	Ø 52mm	Burquip: AF/AFC45A Pre- 2010 AF/AFC40A-1 AF/AFC38A-1	R 215.00
	B30206	Bearing 30206	1	30.0	62.0			
	OS38-62-7	Seal 38-62-7	1	38.0	62.0			
	M3.2X36SP	Split Pin 3.2X36	1	-	-			
BKIT03	B30206	Bearing 30206	1	30.0	62.0	Ø 62mm	Burquip: AF/AFC50A AF/AFC55A AFC50E	R 295.00
	B30208	Bearing 30208	1	40.0	80.0			
	OS48-80-10	Seal 48-80-10	1	48.0	80.0			
	M4X40SP	Split Pin 4X40	1	-	-			
BKIT04	B30205	Bearing 30205	1	25.0	52.0	Ø 52mm	Burquip: AF/AFC45A Post-2010 AF50C AFC50B	R 245.00
	B32007	Bearing 32007	1	35.0	62.0			
	OS42-62-7	Seal 42-62-7	1	42.0	62.0			
	M3.2X36SP	Split Pin 3.2X36	1	-	-			
BKIT05	B44649\10	Bearing 44610/49	1	27.0	50.0	Ø 50mm	Venter: 40mm Unbraked Axle 4/100 Rubax: Rheno Hub	R 250.00
	B67048\10	Bearing 67048/10	1	31.7	59.1			
	OS40-60-10	Seal 40-60-10	1	40.0	60.0			
	M4X40SP	Split Pin 4X40	1	-	-			
BKIT06	B44649\10	Bearing 44610/49	2	27.0	50.0	Ø 50mm	Venter: 40mm Square Unbraked 4/100 Mini Hub	R 180.00
	OS38-52-7	Bearing 38-52-7	1	38.0	52.0			
	M4X40SP	Spit Pin 4x40	1	-	-			

Prices are exclusive of VAT and subject to change without prior notice. (E & OE Notice - pg105)



Kit	Components	Description	Qty	ID (mm)	OD (mm)	Grease Cap (i)	Application	Price Each
BKIT07	B11749\10	Bearing 11749/10	1	17.0	40.0	Ø 48mm	Trailco: 40mm Braked Axle 40mm Unbraked Axle	R 185.00
	B45449\10	Bearing 45449/10	1	29.0	50.3			
	OS38-52-7	Seal 38-52-7	1	38.0	52.0			
	M3.2X36SP	Split Pin 3.2X36	1	-	-			
BKIT08	B11949\10	Bearing 11949/10	1	19.0	45.2	Ø 48mm	Trailco: 45mm Braked/ Unbraked Axle 5/114.3 or 4/100	R 195.00
	B67048\10	Bearing 67048/10	1	31.7	59.1			
	OS42-62-7	Seal 42-62-7	1	42.0	62.0			
	M3.2X36SP	Split Pin 3.2X36	1	-	-			
BKIT09	B32005	Bearing 32005	1	25.0	47.0	Ø 48mm	Trailco: 45mm Braked 6/139.7 50mm Round Unbraked 9" Braked Axle Short Nose	R 225.00
	B32007	Bearing 32007	1	35.0	62.0			
	OS42-62-7	Seal 42-62-7	1	42.0	62.0			
	M4X40SP	Split Pin 4X40	1	-	-			
BKIT10	B32006	Bearing 32006	1	30.0	55.0	Ø 55mm	Trailco: 50mm Square Unbraked 9" Braked Axle Long Nose	R 295.00
	B32008	Bearing 32008	1	40.0	68.0			
	OS45-72-10	Seal 45-72-10	1	45.0	72.0			
	M3.2X36SP	Split Pin 3.2X36	1	-	-			



Prices are exclusive of VAT and subject to change without prior notice. (E & OE Notice - pg105)



Kit	Components	Description	Qty	ID (mm)	OD (mm)	Grease Cap (i)	Application	Price Each
BKIT11	B44649\10	Bearing 44649/10	1	26.9	50.2	Ø 50mm	Venter 45SQ	R 295.00
	B48548\10	Bearing 48548/10	1	34.9	65.0			
	OS50-65-8	Seal 50-65-8	1	50.0	65.0			
	M4X40SP	Split Pin 4X40	1	-	-			
BKIT12	B30208	Bearing 30208	1	40.0	80.0	Ø 80mm	AF60A	R 385.00
	B30211	Bearing 30211	1	55.0	100.0			
	OS70-100-13	Seal 70-100-13	1	70.0	100.0			
	M5X70SP	Split Pin 5X70	1	-	-			
BKIT13	B30209	Bearing 30209	1	45.0	85.0	Ø 85mm	AF70A	R 415.00
	B30212	Bearing 30212	1	60.0	110.0			
	OS68-110-13	Seal 68-110-13	1	68.0	110.0			
	M5X70SP	Split Pin 5X70	1	-	-			



BKIT13

Prices are exclusive of VAT and subject to change without prior notice. (E & OE Notice - pg105)



High Speed Trailer & Caravan Wheels 10" Rims

Stock Code	Type	Description	Stud Fixing	Off Set	Price
W10-4.5B-01	4.5B x 10	White spoked (SDC)	4/67/100	-5mm	R 585.00





High Speed Trailer & Caravan Wheels 13" Rims

Stock Code	Type	Description	Stud Fixing	Off Set	Price
W13-4.5J-01I	4.5J x 13	White spoked (SDC)	4/67/100	0mm	R 495.00
W13-4.5J-02I	4.5J x 13	White spoked (SDC)	5/72.5/114.3	0mm	R 495.00
W13-4.5J-01G	4.5J x 13	Galvanised spoked (SDC)	4/67/100	0mm	R 725.00
W13-4.5J-01IS	4.5J x 13	Silver spoked (SDC)	4/67/100	0mm	R 495.00





High Speed Trailer & Caravan Wheels 14" Rims

Stock Code	Type	Description	Stud Fixing	Off Set	Price
W14-6.0J-01I	6.0J x 14	White spoked (SDC)	4/67/100	14mm	R 675.00
W14-6.0J-02I	6.0J x 14	White spoked (SDC)	5/83.5/114.3	14mm	R 675.00
W14-6.0J-02G	6.0J x 14	Galvanised spoked (SDC)	5/83.5/114.3	14mm	R 925.00
W14-6.0J-02IS	6.0J x 14	Silver spoked (SDC)	5/83.5/114.3	14mm	R 675.00
W14-6.0J-04I	6.0J x 14	White spoked (SDC)	6/108.9/139.7	14mm	R 675.00
W14-6.0J-04G	6.0J x 14	Galvanised spoked (SDC)	6/108.9/139.7	14mm	R 925.00





High Speed Trailer & Caravan Wheels 15" Rims

Stock Code	Type	Description	Stud Fixing	Off Set	Price
W15-7.0J-02I	7.0J x 15	White spoked (SDC)	5/83.5/114.3	3mm	R 925.00
W15-7.0J-04I	7.0J x 15	White spoked (SDC)	6/108.9/139.7	0mm	R 925.00
W15-7.0J-04G	7.0J x 15	Galvanised spoked (SDC)	6/108.9/139.7	0mm	R 1,295.00
W15-7.0J-04IB	7.0J x 15	Black spoked (SDC)	6/108.9/139.7	0mm	R 925.00
W15-7.0J-04IS	7.0J x 15	Silver spoked (SDC)	6/108.9/139.7	0mm	R 925.00





High Speed Trailer & Caravan Wheels 16" Rims

Stock Code	Type	Description	Stud Fixing	Off Set	Price
W16-7.0J-04I	7.0J x 16	White spoked (SDC)	6/108.9/139.7	5mm	R 1,275.00
W16-7.0J-04IS	7.0J x 16	Silver spoked (SDC)	6/108.9/139.7	5mm	R 1,275.00
W16-5.5B-03	5.5B x 16	Black solid (SDC)	5/110/165.1	0mm	R 1,295.00
W16-6.0G-03C	6.0G x 16	2 piece (SDC)	5/110/165.1	0mm	R 1,595.00
W16-6.0G-05DC	6.0G x 16	2 piece dual (SDC)	6/161/205	130mm	R 1,595.00
W16-6.5H-05C	6.5H x 16	2 piece (SDC)	6/161/205	0mm	R2,180.00
W16-7.0-05C	7.0 x 16	2 piece (Flatbase)	6/161/205	0mm	R 2,275.00
W16-7.0-06C	7.0 x 16	2 piece (Flatbase)	8/221/275	0mm	R 2,275.00



W16-5.5B-03



W16-6.0G-05DC



W16-6.5H-05C



W16-7.0-06C

Prices are exclusive of VAT and subject to change without prior notice. (E & OE Notice - pg105)



High Speed Trailer & Caravan Wheels

17.5" Rims

Stock Code	Type	Description	Stud Fixing	Off Set	Price
W17.5-6.75-05I	6.75 x 17.5	SDC	6/161/205	0mm	R2,850.00
W17.5-6.75HC-06I	6.75x 17.5	Dual SDC	8/221/275	143mm	R1,870.00



W17.5-6.75-05



High Speed Trailer & Caravan Wheels 20" Rims

Stock Code	Type	Description	Stud Fixing	Off Set	Price
W20-7.5V-05C	7.5V x 20	2 piece (Flatbase)	6/161/205	0mm	R2,540.00
W20-7.5V-06C	7.5V x 20	2 piece (Flatbase)	8/221/275	0mm	R2,540.00



W20-7.5V-05C



W20-7.5V-06C



High Speed Trailer & Caravan Wheels

22.5" Rims

Stock Code	Type	Description	Stud Fixing	Off Set	Price
W22.5-9.00-10	9.00 x 22.5	Spigot Mount Dual SDC	10/281/335	175mm	R2,595.00
W22.5-9.00-10T	9.00 x 22.5	Stud Mount Dual SDC	10/281/335	175mm	R2,595.00
W22.5-11.75-10	11.75 x 22.5	Super Single (SDC)	10/281/335	0mm	R3,500.00



W22.5-9.00-10



W22.5-11.75-10



Rim & Tyre Combos

13" Combos

Stock Code	Tyre Size	Rim Description	Ply Rating	Load Rating	Overall Ø	Stud Fixing	Price
WT13-155-01	155/80 x 13	4.5J x 13 White	6	437kg	578mm	4/67/100	R1,095.00
WT13-155-01G	155/80 x 13	4.5J x 13 Galvanised	6	437kg	578mm	4/67/100	R1,275.00
WT13-155-02	155/80 x 13	4.5J x 13 White	6	437kg	578mm	5/72.5/114.3	R1,095.00



WT13-155-01



WT13-155-02



Rim & Tyre Combos

14" Combos

Stock Code	Tyre Size	Rim Description	Ply Rating	Load Rating	Overall Ø	Stud Fixing	Price
WT14-195-01	195R14C	6.0J x 14 White	8	900kg	668mm	4/67/100	R1,895.00
WT14-195-02	195R14C	6.0J x 14 White	8	900kg	668mm	5/83.5/114.3	R1,895.00
WT14-195-02G	195R14C	6.0J x 14 Galvanised	8	900kg	668mm	5/83.5/114.3	R2,075.00
WT14-195-04	195R14C	6.0J x 14 White	8	900kg	668mm	6/108.9/139.7	R1,895.00
WT14-195-04G	195R14C	6.0J x 14 Galvanised	8	900kg	668mm	6/108.9/139.7	R2,075.00



WT14-195-01



Rim & Tyre Combos

15" Combos

Stock Code	Tyre Size	Rim Description	Ply Rating	Load Rating	Overall Ø	Stud Fixing	Price
WT15-225-04G	225/70R15C	7.0J x 15 Galvanised	8	1120kg	697mm	6/108.9/139.7	R2,575.00
WT15-225-04	225/70R15C	7.0J x 15 White	8	1120kg	697mm	6/108.9/139.7	R2,295.00



WT15-225-04



Rim & Tyre Combos

16" Combos

Stock Code	Tyre Size	Rim Description	Ply Rating	Load Rating	Overall Ø	Stud Fixing	Price
WT16-7.50-6.5H-05	7.50 x 16	6.5H x 16 Black 2 PC	12	1400kg	808mm	6/161/205	R3,370.00
WT16-7.50-6.0G-03	7.50 x 16	6.0G x 16 Black 2 PC	12	1400kg	808mm	5/110/165.1	R3,220.00



WT16-7.50-6.5H-05



Agricultural Tractor & Implement Wheels

14" Rims

Stock Code	Type	Description	Stud Fixing	Off Set	Price
W14-5.0J-03L	5.0J x 14	SDC	5/110/165.1	0mm	R1,110.00



W14-5.0J-03L



Agricultural Tractor & Implement Wheels

15" Rims

Stock Code	Type	Description	Stud Fixing	Off Set	Price
W15-6.0J-03L	6.0J x 15	SDC	5/110/165.1	0mm	R 1,375.00
W15-8.0W-03L	8.0W x 15	SDC	5/110/165.1	0mm	R1,780.00
W15-8.0W-05L	8.0W x 15	SDC	6/161/205	0mm	R1,780.00





Agricultural Tractor & Implement Wheels

15.5" Rims

Stock Code	Type	Description	Stud Fixing	Off Set	Price
W15.5-13.0-05L	13.0 x 15.5	SDC	6/161/205	0mm	R3,370.00



W15.5-13.0-05L



Agricultural Tractor & Implement Wheels 16" Rims

Stock Code	Type	Description	Stud Fixing	Off Set	Price
W16-8.0W-05L	8.0W x 16	SDC	6/161/205	0mm	R 3,185.00



W16-8.0W-05L



Agricultural Tractor & Implement Wheels

18" Rims

Stock Code	Type	Description	Stud Fixing	Off Set	Price
W18-9.0-05L	9.0 x 18	SDC	6/161/205	0mm	R2,295.00
W18-11.0-05L	11.0 x 18	SDC	6/161/205	0mm	R2,795.00
W18-11.0-06L	11.0 x 18	SDC	8/221/275	0mm	R2,995.00



W18-11.0-05L



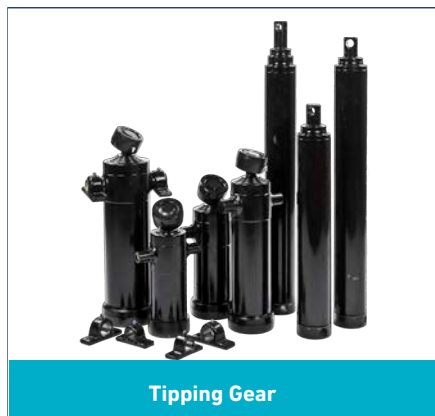
W18-11.0-06L



Hydraulic Cylinders

Base Pin Mounted Cylinders (Tipping)

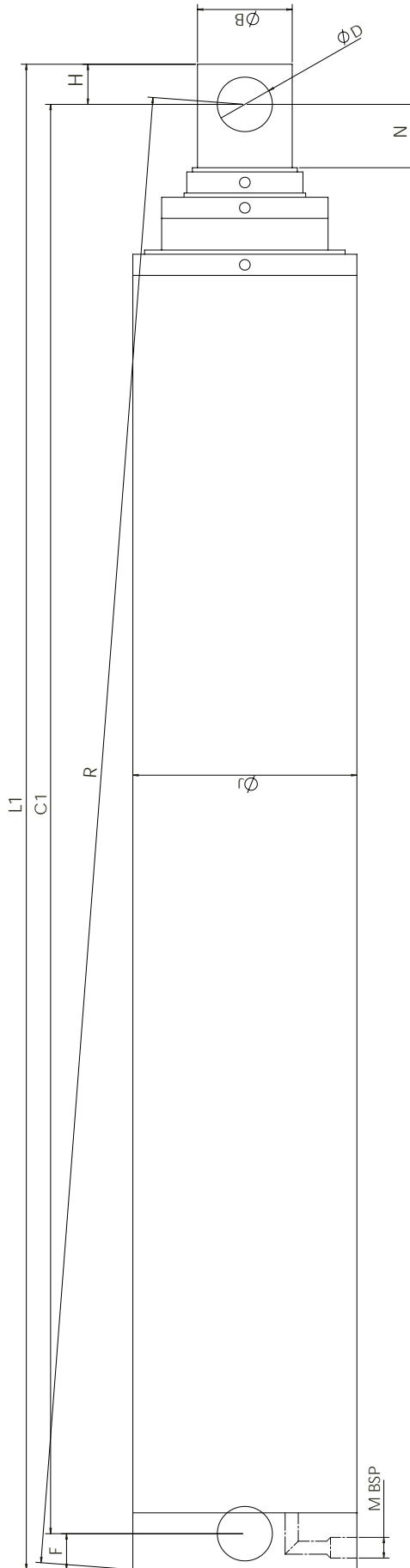
Stock Code	Thrust (100 bar)	Stages	Closed Centers	Stroke	Pin Hole Ø	Barrel Ø	Price Each
DW265	7.3 / 3.9	2	673mm	969mm	25.80mm	105mm	R 6,475.00
DW345	7.3 / 3.9	2	876mm	1375mm	25.80mm	105mm	R 6,795.00
DW365	7.3 / 4.6 / 3.1	3	924mm	1993mm	25.80mm	105mm	R 9,995.00
DW385	9.3 / 6.3	2	914mm	1403mm	32.50mm	120mm	R 8,895.00
DW265CL	6.4 / 3.9	2	673mm	969mm	25.80mm	105mm	R 6,995.00
DW345CL	6.4 / 3.9	2	876mm	1375mm	25.80mm	105mm	R 7,995.00
DW365CL	6.4 / 3.9 / 2	3	924mm	1993mm	25.80mm	105mm	R 10,995.00
DW385CL	8 / 5.1	2	914mm	1403mm	32.50mm	120mm	R 9,995.00
DW626C	9.3 / 6.3	2 (Chromed)	775mm	1075mm	31.75mm	120mm	R 13,195.00
DW1111C	13/9/5	3 (Chromed)	1245mm	2821mm	31.75mm	120mm	R 17,595.00



Prices are exclusive of VAT and subject to change without prior notice. (E & OE Notice - pg105)



Base Pin Mounted Cylinders (Tipping)



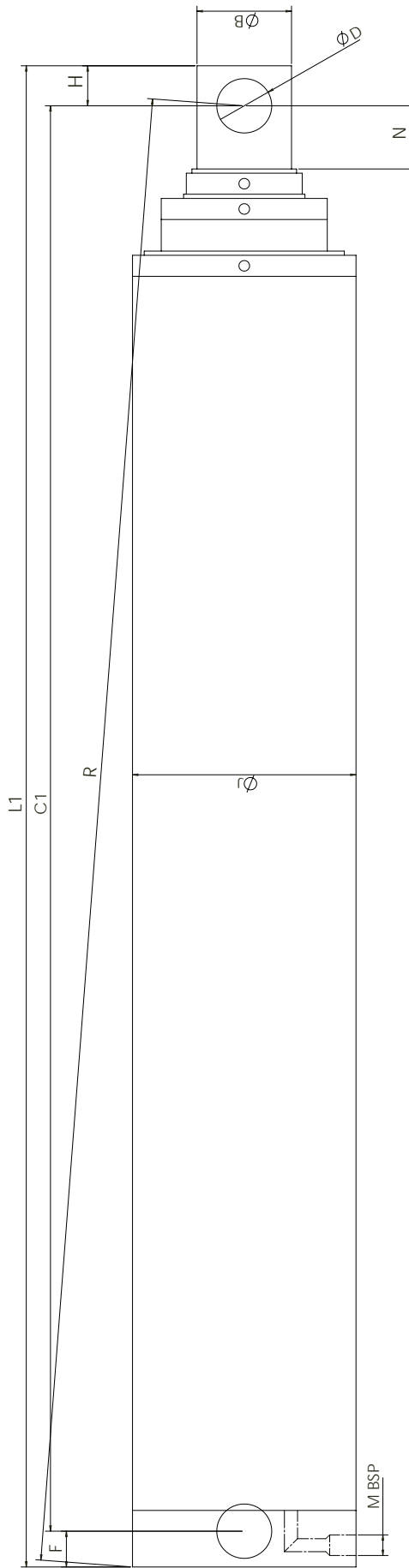
Piston Diameters & Thrust at 100 bar

Stock Code	Stages	Ø60.30	Ø69.85	Ø76.20	Ø88.90	Ø95.25	Ø107.95	9330kg	Mass	Oil Vol	Seal Kit Code	ØB (mm)	C1 (mm)	ØD (mm)	F (mm)	H (mm)	N (mm)	ØJ (mm)	L1	M	R
DW265	2		●			●			24.5kg	4.5ℓ	DWSK265	44.45	673	25.8	20	19	45	105	712	1/2"	695
DW345	2		●			●			31.0kg	7.6ℓ	DWSK265	44.45	876	25.8	20	19	45	105	915	1/2"	898
DW365	3	●				●			38.0kg	9.8ℓ	DWSK365	44.45	924	25.8	20	19	72	105	963	1/2"	946
DW626C	2				●		●		38.0kg	8.4	DWSK626	50.80	775	32.5	22	22	75	120	819	1/2"	800
DW385	2				●		●		41.0kg	10.9ℓ	DWSK626	50.80	914	32.5	22	22	50	120	958	1/2"	938
DW1111C	3		●		●		●		43.2kg	18.6ℓ	DWSK1111	50.0	1245	31.75	22	22	109	120	1289	1/2"	1268

Prices are exclusive of VAT and subject to change without prior notice. (E & OE Notice - pg105)



Base Pin Mounted Cylinders (Tipping)



Piston Diameters & Thrust at 100 bar

Stock Code	Stages	Ø50	200kg	Ø70	392kg	Ø80	512kg	Ø90	854kg	Ø100	800kg	Mass	Oil Vol	Seal Kit Code	ØB (mm)	C1 (mm)	ØD (mm)	F (mm)	H (mm)	N (mm)	ØJ (mm)	L1	M	R
DW265CL	2			●	●			●				25.8kg	4.5ℓ	DWSK265CL	44.45	673	25.8	20	19	45	105	712	1/2"	695
DW345CL	2			●	●	●		●				32.8kg	7.6ℓ	DWSK265CL	44.45	876	25.8	20	19	45	105	915	1/2"	898
DW365CL	3	●		●	●	●		●				40.8kg	9.8ℓ	DWSK365CL	44.45	924	25.8	20	19	72	105	963	1/2"	946
DW385CL	2					●				●		44.1kg	10.9ℓ	DWSK626CL	50.80	914	32.5	22	22	50	120	958	1/2"	938

Prices are exclusive of VAT and subject to change without prior notice. (E & OE Notice - pg101)



Center Trunnion Mounted Cylinders (Tipping)

Stock Code	Thrust (100bar)	Stages	Stroke	Trunnions	Price Each
DD3032G	6/4/2	3	700mm	DDT35	R 8,495.00
DD3044G	8/6/4/2	4	1050mm	DDT40	R 11,895.00
DD3047G	8/6/4/2	4	1510mm	DDT40	R 12,795.00
DD3055G	12/8/6/4/2	5	2150mm	DDT45	R 18,995.00
DD4050G	16/12/8/6/3	5	1900mm	DDT50	R 24,995.00
DD4052G	21/16/12/8/6	5	2100mm	DDT50	R 30,995.00

NOTES:

- Maximum operating pressure: 180 bar (2600PSI).
- Prices include two (2) trunnion brackets.
- **Guarantee only valid if cylinder is used with a cradle.**

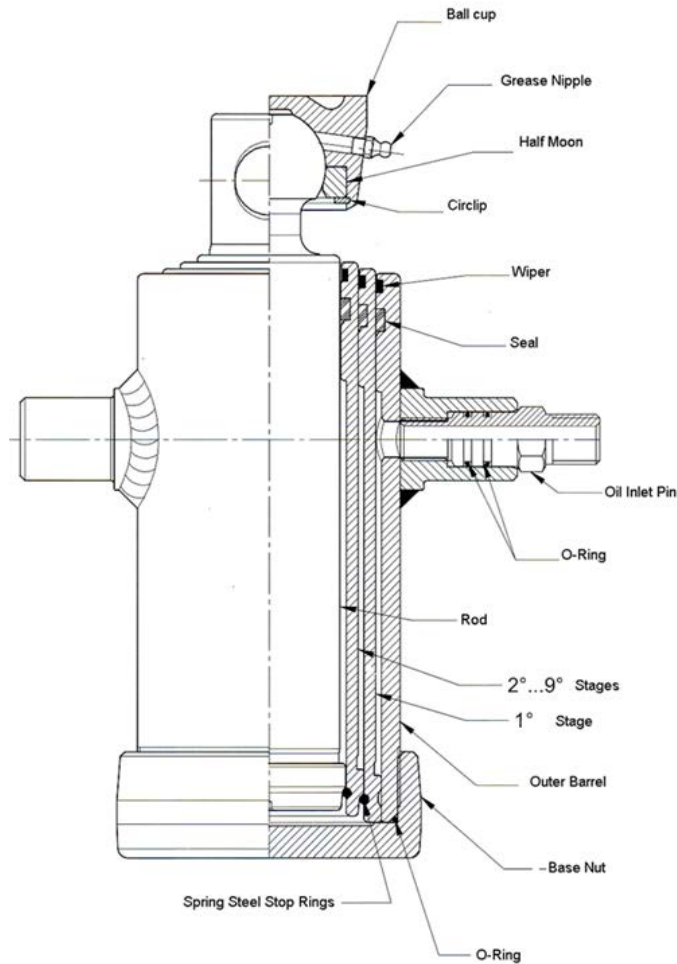
Cradles for Center Trunnion Mounted Cylinders (Tipping)

SUPPORTED CYLINDERS

Stock Code	DD3032	DD3044	DD3047	DD3055	DD4050	DD4052	Trunnions	Price Each
DDC2	●						DDT40	R 2,395.00
DDC3		●	●				DDT40	R 2,495.00
DDC4				●			DDT50	R 3,195.00
DDC5					●		DDT50	R 7,595.00
DDC6						●	DDT50	R 8,795.00



Center Trunnion Mounted Cylinders (Tipping) : Specifications

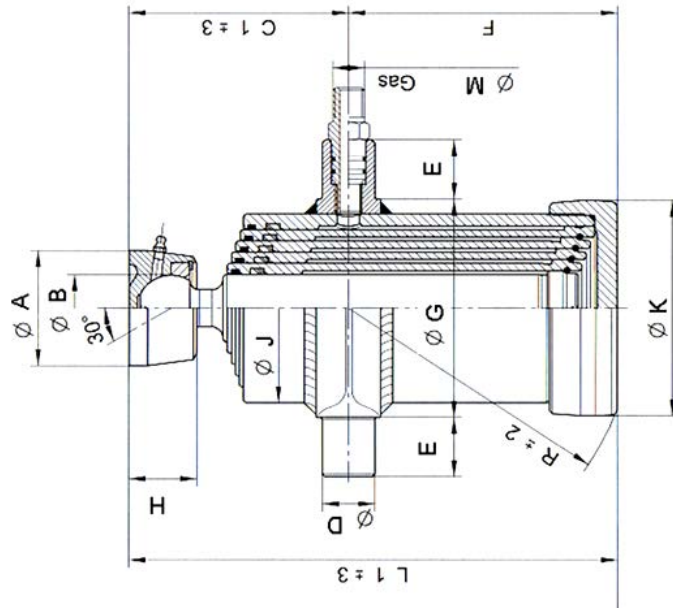


Stock Code	Mass	Oil Vol.	Ball Joint Code	Hyd. Fitt. Code	Seal Kit Code	Cradle Code	Trunnion Code	Individual Stage Length
DD3032	26.0kg	3.3ℓ	DDBJ55	DDHF1/2	DDSK3032	DDC2	DDT35	300mm
DD3044	33.5kg	6.2ℓ	DDBJ55	DDHF1/2	DDSK3044/47	DDC3	DDT40	335mm
DD3047	43.0kg	8.8ℓ	DDBJ55	DDHF1/2	DDSK3044/47	DDC3	DDT40	450mm
DD3055	67.0kg	15.5ℓ	DDBJ55	DDHF1/2	DDSK3055	DDC4	DDT45	500mm
DD4050	81.5kg	18.2ℓ	DDBJ65	DDHF3/4	DDSK4050/51	DDC5	DDT50	450mm
DD4052	94.5kg	28.2ℓ	DDBJ65	DDHF3/4	DDSK4052	DDC6	DDT50	500mm

Prices are exclusive of VAT and subject to change without prior notice. (E & OE Notice - pg105)



Center Trunnion Mounted Cylinders (Tipping)



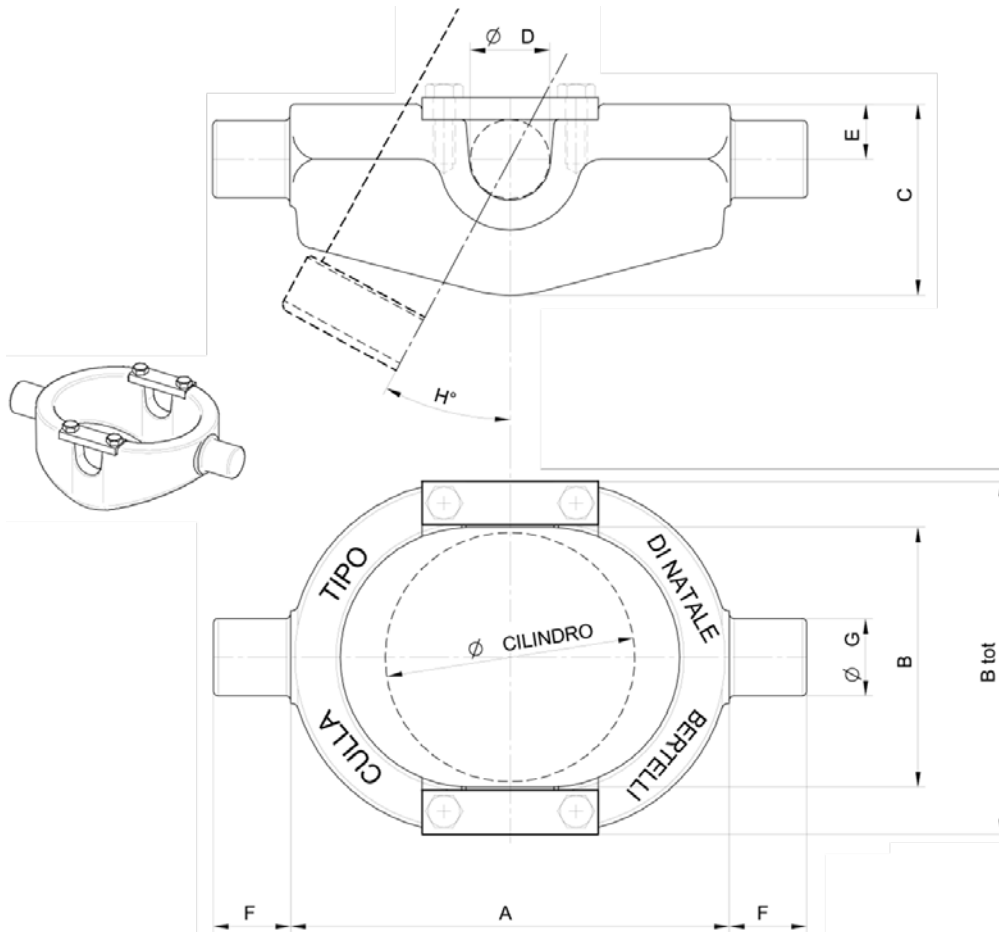
Stock Code	ØA (mm)	ØB (mm)	C1 (mm)	ØD (mm)	E (mm)	F (mm)	ØG (mm)	H (mm)	ØJ (mm)	ØK (mm)	L1 (mm)	M BSP GAS	R (mm)
DD3032	95	55	147	35	40	250	135	55	112	128	397	1/2"	260
DD3044	95	55	157	40	40	280	150	55	124	144	437	1/2"	290
DD3047	95	55	157	40	40	395	150	55	124	144	552	1/2"	405
DD3055	95	55	165	45	45	445	175	55	152	172	610	1/2"	455
DD4050	107	65	245	50	45	320	210	60	170	200	565	3/4"	335
DD4052	107	65	245	50	45	370	230	60	190	220	615	3/4"	390

Piston Diameters (mm) & Thrust at 180 bar

Stock Code	Stages	Stroke	Ø61	Ø68	Ø76	Ø88	Ø91	Ø107	Ø126	Ø145	Ø165
DD3032	3	683mm	●		●		●				●
DD3044	4	1050mm	●		●		●	●			
DD3047	4	1510mm	●		●		●	●			
DD3055	5	2130mm	●		●		●	●	●		
DD4050	5	1870mm		●				●	●	●	
DD4052	5	2100mm									●

Prices are exclusive of VAT and subject to change without prior notice. (E & OE Notice - pg105)

Cradles for Center Trunnion Mounted Cylinder (Tipping)



Stock Code	A (mm)	B (mm)	B tot (mm)	C (mm)	ØD (mm)	E (mm)	F (mm)	ØG (mm)	H	ØCil. (mm)	Load	Mass
DDC2	230	135	195	97	35	28	40	40	30°	112	10T	9.0kg
DDC3	230	155	215	107	40	31	40	40	30°	121	16T	10.5kg
DDC4	230	185	240	125	45	40	45	50	30°	150	20T	15.0kg
DDC5	330	215	290	165	50	45	55	50	30°	170	22T	22.0kg
DDC6	330	235	310	205	50	65	55	50	30°	190	23T	29.0kg

Prices are exclusive of VAT and subject to change without prior notice. (E & OE Notice - pg105)

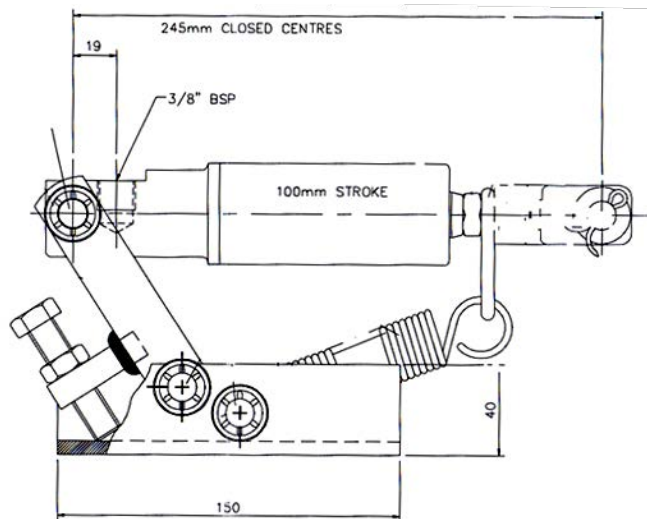


Brake Cylinder Kit

Stock Code	Description	Price Each
DW366	Hydraulic brake cylinder for axle braking - low speed	POR

NOTES:

The cylinder should be parallel $\pm 5^\circ$ to the base plate when connected to the brake lever of the axle in order to achieve the correct spring preload.

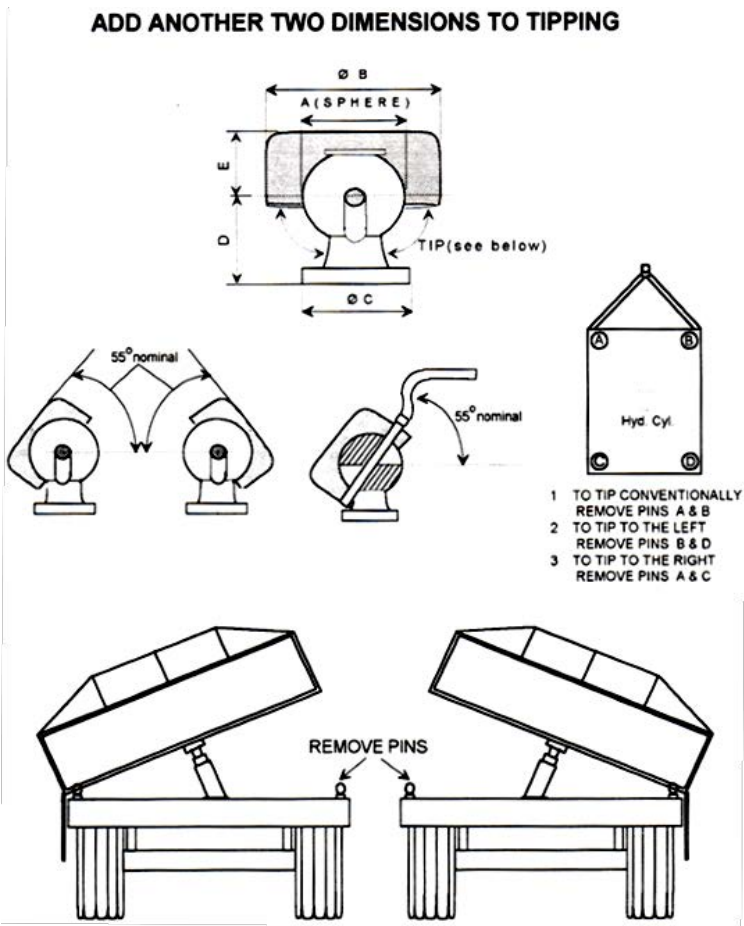


DW366



Ball & Socket Tipping Joint

Stock Code	Max Load	ØA (mm)	ØB (mm)	ØC (mm)	D	E	Tipping Angle	Price Each
DTBS01	5000kg	77.5	104	66	69	45	55° (nominal)	R1,110.00



Prices are exclusive of VAT and subject to change without prior notice. (E & OE Notice - pg105)



Tie-Rod Cylinders

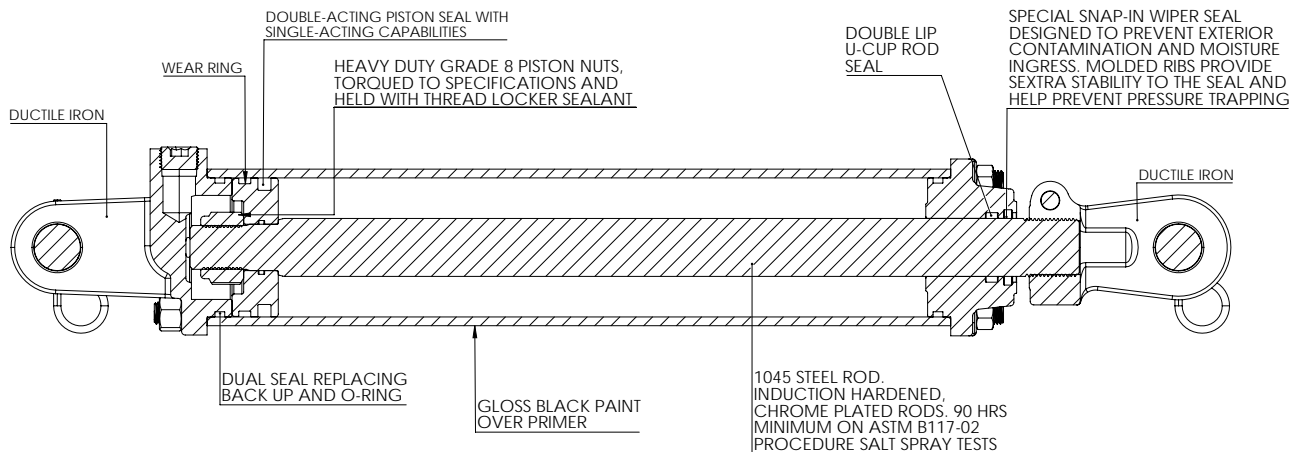
Stock Code	Description	Price Each
DC2-2006TR	Tie-rod cylinder - 2006TR	R 1,535.00
DC2-2008-ASAE-TR	Tie-rod cylinder - 2008-ASAE-TR	R 1,650.00
DC2-2010TR	Tie-rod cylinder - 2010TR	R 1,650.00
DC2-2018TR	Tie-rod cylinder - 2018TR	R 2,005.00
DC2-3006TR	Tie-rod cylinder - 3006TR	R 1,895.00
DC2-3008-ASAE-TR	Tie-rod cylinder - 3008-ASAE-TR	R2,130.00
DC2-3010TR	Tie-rod cylinder - 3010TR	R 2,050.00
DC2-3012TR	Tie-rod cylinder - 3012TR	R 2,075.00
DC2-3014TR	Tie-rod cylinder - 3014TR	R 2,195.00
DC2-3016TR	Tie-rod cylinder - 3016TR	R 2,225.00
DC2-3018TR	Tie-rod cylinder - 3018TR	R 2,335.00
DC2-3020TR	Tie-rod cylinder - 3020TR	R 2,495.00
DC2-3024TR	Tie-rod cylinder - 3024TR	R 2,555.00
DC2-3030TR	Tie-rod cylinder - 3030TR	R 3,335.00
DC2-3036TR	Tie-rod cylinder - 3036TR	R 3,730.00
DC2-4010TR	Tie-rod cylinder - 4010TR	R 3,395.00
DC2-4012TR-2	Tie-rod cylinder - 4012TR	R 3,595.00
DC2-4018TR	Tie-rod cylinder - 4018TR	R 4,100.00
DC2-4024TR	Tie-rod cylinder - 4024TR	R 4,715.00
DC2-4030TR	Tie-rod cylinder - 4030TR	R 5,240.00
DC2-4036TR	Tie-rod cylinder - 4036TR	R 5,765.00
DC2-3010TR-1.5	Tie-rod cylinder - 3010TR	R 2,240.00
DC2-3012TR-1.5	Tie-rod cylinder - 3012TR	R 2,385.00
DC2-3018TR-1.5	Tie-rod cylinder - 3018TR	R 2,765.00
DC2-3024TR-1.5	Tie-rod cylinder - 3024TR	R 3,050.00
DC2-3028TR-1.5	Tie-rod cylinder - 3028TR	R 3,265.00

Prices are exclusive of VAT and subject to change without prior notice. (E & OE Notice - pg105)



Specifications

Stock Code	Rod Diameter	Bore (mm)	Stroke (mm)	Closed Center (mm)	Open Center (mm)	Max Load (kg)	Pressure (bar)
DC2-2006TR	1.125" / 28.575mm	50	155	413	568	3510	172
DC2-2008-ASAE-TR	1.125" / 28.575mm	50	205	514	719	3560	172
DC2-2010TR	1.125" / 28.575mm	50	255	514	769	3560	172
DC2-2018TR	1.125" / 28.575mm	50	455	718	1173	3560	172
DC2-3006TR	1.25" / 31.75mm	76	155	413	568	8015	172
DC2-3008-ASAE-TR	1.25" / 31.75mm	76	205	514	719	8015	172
DC2-3010TR	1.25" / 31.75mm	76	255	514	769	8015	172
DC2-3012TR	1.25" / 31.75mm	76	305	565	870	8015	172
DC2-3014TR	1.25" / 31.75mm	76	355	616	971	8015	172
DC2-3016TR	1.25" / 31.75mm	76	405	667	1072	8015	172
DC2-3018TR	1.25" / 31.75mm	76	455	718	1173	5750	123
DC2-3020TR	1.25" / 31.75mm	76	510	768	1278	4890	105
DC2-3024TR	1.25" / 31.75mm	76	610	870	1480	3650	78
DC2-3030TR	1.5" / 38.1mm	76	765	1022	1787	6000	129
DC2-3036TR	1.5" / 38.1mm	76	915	1175	2090	3730	80
DC2-4010TR	1.5" / 38.1mm	101	255	514	769	14250	172
DC2-4012TR	2" / 50.8mm	101	305	565	870	14250	172



All cylinders tested at 207 bar.

Prices are exclusive of VAT and subject to change without prior notice. (E & OE Notice - pg105)

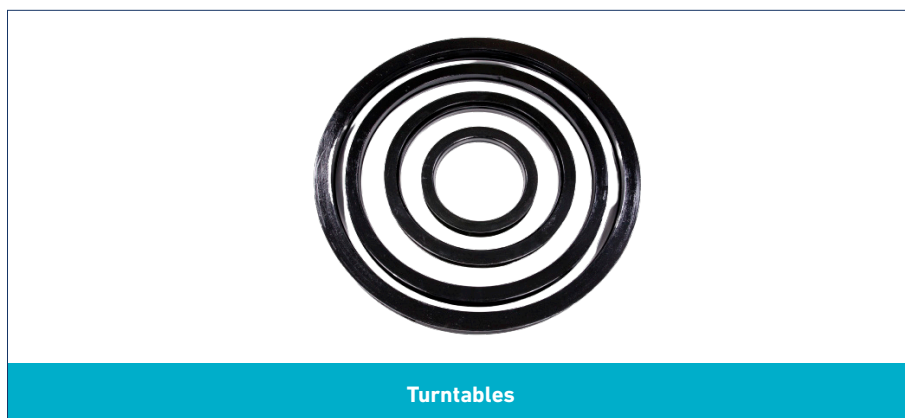


Turntables

Stock Code	Max Load	Speed Rating	Outside Ø	Inner Ø	Height	Price Each
TL1-0400	400kg	Up to 25km/h	400mm	300mm	55mm	R2,195.00
TL1-0650	1 100kg	Up to 40km/h	650mm	550mm	55mm	R2,995.00
TL2-0900	3 500kg	Up to 40km/h	900mm	780mm	65mm	R3,995.00
TL2-1050	5 000kg	Up to 40 km/h	1050mm	925mm	70mm	R 4,695.00
TL3-1100	6 500kg	Up to 40km/h	1100mm	970mm	80mm	R4,995.00
TL4-1100T	12 000kg	Up to 105km/h	1100mm	949mm	90mm	R 8,395.00
TL5-1100	10 000kg	Up to 40km/h	1100mm	950mm	90mm	R 7,635.00
TL6-1100DT	20 000kg	Up to 105km/h	1100mm	940mm	92mm	R9,995.00

NOTES:

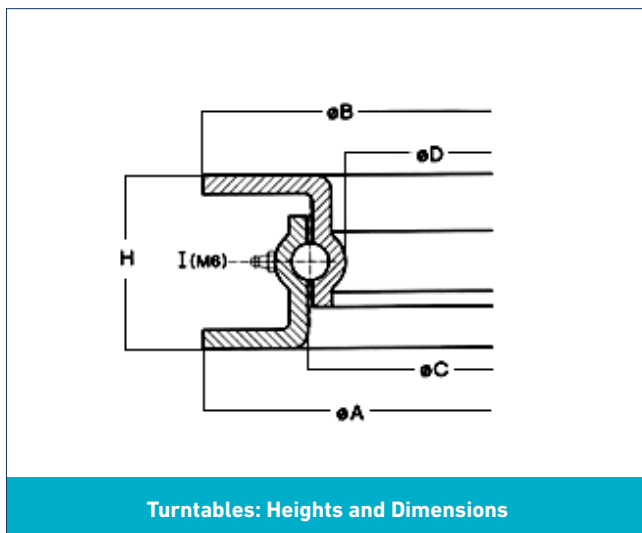
- Guarantee will be void if ANY welding is done on turntables.



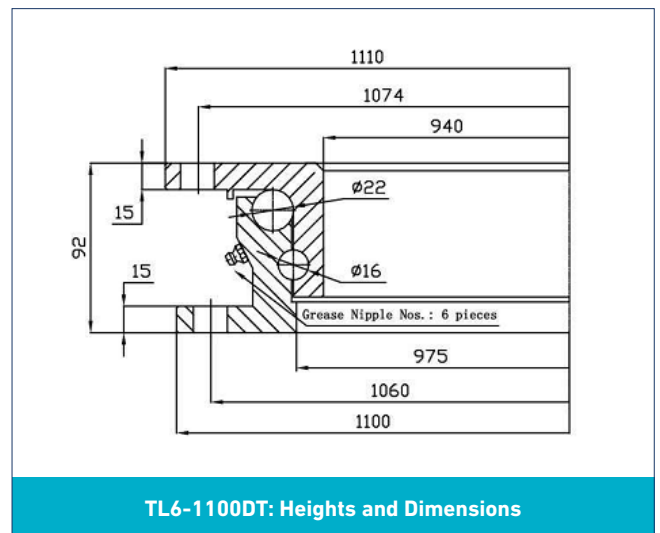


Heights and dimensions

Stock Code	Ø A (mm)	Ø B (mm)	Ø C (mm)	Ø D (mm)	H (mm)	Ball Ø (mm)	Min. No. Mounting Bolts	Mounting Bolt Grade 8.8 (min)
TL1-0400	400	400	325	300	55	12.7	4	M12
TL1-0650	650	650	580	550	55	12.7	6	M12 or M14
TL2-0900	900	900	805	780	70	12.7	6	M14 or M16
TL2-1050	1050	1050	956	925	70	14.5	6	M14 or M16
TL3-1100	1100	1100	1000	970	80	16	8	M14 or M16
TL4-1100T	1100	1111	983	949	90	22	8	M18
TL5-1100	1100	1100	985	950	90	22.2	10	M14 or M16
TL6-1100DT	1100	1110	975	940	92	16 & 22	8	M18



Turntables: Heights and Dimensions



TL6-1100DT: Heights and Dimensions



Complete PTO's 4S

Stock Code	Description	Price Each
PTO-T4S-YS-01B-01B.1000	T4 PTO Shaft 01B-01B 1000mm	R 1,595.00
PTO-T4S-YS-01B-01B.1200	T4 PTO Shaft 01B-01B 1200mm	R 1,595.00
PTO-T4S-YS-01B-01B.1500	T4 PTO Shaft 01B-01B 1500mm	R 1,895.00
PTO-T4S-YS-01B-FFV1.1000	T4 PTO Shaft 01B-FFV1 1000mm	R 2,595.00
PTO-T4S-YS-01B-FFV1.1200	T4 PTO Shaft 01B-FFV1 1200mm	R 2,695.00
PTO-T4S-YS-01B-FFV1.1500	T4 PTO Shaft 01B-FFV1 1500mm	R 2,895.00

Complete PTO's 6S

Stock Code	Description	Price Each
PTO-T6S-YS-01B-01B.1000	T6 PTO Shaft 01B-01B 1000mm	R 2,295.00
PTO-T6S-YS-01B-01B.1200	T6 PTO Shaft 01B-01B 1200mm	R 2,195.00
PTO-T6S-YS-01B-01B.1500	T6 PTO Shaft 01B-01B 1500mm	R 2,195.00
PTO-T6S-YS-01B-FFV2.1000	T6 PTO Shaft 01B-FFV2 1000mm	R 3,195.00
PTO-T6S-YS-01B-FFV2.1200	T6 PTO Shaft 01B-FFV2 1200mm	R 3,695.00
PTO-T6S-YS-01B-FFV2.1500	T6 PTO Shaft 01B-FFV2 1500mm	R 3,695.00



PTO's - Spares

4S

Stock Code	Description	Price Each
PTOTP55X8	Tension Pin 55x8 S4 i/tube	R11.00
PTOTP60X8	Tension Pin 60x8 S4 o/tube	R3.00
PT04S-S-B47	S4 in/shield bearing	R 15.00
PT04S-S-B54	S4 out/shield bearing	R 15.00
PT04S-S-YS-INCONC-FFV	S4 inner shield cone YS for FFV	R 55.00
PT04S-S-YS-INCONC	S4 inner shield cone YS	R 55.00
PT04S-S-YS-OUTCONC	S4 outer shield cone YS	R 55.00
PT04S.01	Cross journal 74.6x27 S4	R 110.00
PT04S.07	T4 i/tube yoke 92x36.1	R 275.00
PT04S.0501B	S4 Splined QR yoke 108	R 225.00
PT04S.SB	S4 Shear bolt clutch 1480Nm	R 455.00
PT04S.RA1	S4 Overrun clutch 2400Nm	R545.00



PTO-T4S-YS-01B.1000

Prices are exclusive of VAT and subject to change without prior notice. (E & OE Notice - pg105)



PTO's - Spares

6S

Stock Code	Description	Price Each
PTOTP70X10	Tension Pin 70x10 S6 i/tube	R 16.00
PTOTP80X10	Tension Pin 80x10 S6 o/tube	R 17.00
PT06S-S-B59.5	S6 in/shield bearing	R 21.00
PT06S-S-B68.5	S6 out/shield bearing	R 21.00
PT06S.FFV2.006	Clutch 6S-bushing	R 35.00
PT06S.FFV2.003	Clutch 6S-friction plate	R 55.00
PT06S.FFV2.002	Clutch 6S-internal disc	R 70.00
PT06S.FFV2.001	Clutch S6-pressure plate	R 73.00
PT06S-S-YS-INCONCONE	S6 inner shield cone Cat III	R 115.00
PT06S-S-YS-OUTCONE	S6 outer shield cone Cat III	R 110.00
PT06S-S-YS-INCONCONE-FFV	S6 inner shield cone YS for FFV	R 105.00
PT06S.05A35	S6 plain bore yoke - 35 / 13mm pin hole	R 215.00
PT06S.FFV2.004	Clutch 6S-hub	R 430.00
PT06S.SB	S6 shear bolt clutch 2100Nm	R 795.00
PT06S.FFV2	S6 friction clutch 2 disc 1200Nm	R 1,595.00
PT06SWA.0513B	S6 wide angle joint CPTC	R 3,295.00

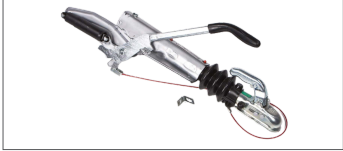







PTO-T6S-YS-01B-FFV2.1000

Prices are exclusive of VAT and subject to change without prior notice. (E & OE Notice - pg105)


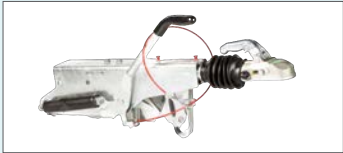
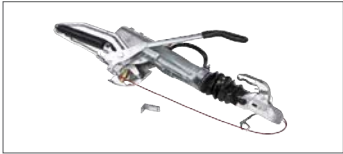



Couplers With Brakes




Image	Stock Code	Capacity	Head	Body Type	Price
	CBK1300B	1300kg	50mm Ball	Delta	R4,440.00
	CBK2000BM	1100kg to 2000kg	50mm Ball	Mono - 80x80	R5,540.00
	CBK2000C	1100kg to 2000kg	50mm Ball	Delta	R4,210.00
	CBK2000D	1100kg to 2000kg	40mm Din Eye	Delta	R5,880.00
	CBK2000E	1100kg to 2000kg	50mm Ball	Delta- Short Lever	R4,440.00
	CBK2700B	1600kg to 2700kg	50mm Ball	Delta	R 4,795.00
	CBK2700D	1600kg to 2700kg	40mm Din Eye	Delta	R 6,895.00

Prices are exclusive of VAT and subject to change without prior notice. (E & OE Notice - pg105)



Image	Stock Code	Capacity	Head	Body Type	Price
	CBK3000B	2000kg to 3000kg	50mm Ball	Delta	R 6,595.00
	CBK3000BM1	2000kg to 3000kg	50mm Ball	Mono - 80x80	R9,695.00
	CBK3500B	2700kg to 3500kg	50mm Ball	Delta	R 8,275.00
	CBK3500D	2700kg to 3500kg	40mm Din Eye	Delta	R10,750.00








Without Brakes

Image	Stock Code	Capacity	Head	Body Type	Price
	CUK0750	750kg	50mm Ball	Straight	R 475.00
	CUK2700	2700kg	50mm Ball	Straight	R 895.00
	CBKL01	Coupler Lock (Knott)			R 85.00

Prices are exclusive of VAT and subject to change without prior notice. (E & OE Notice - pg105)



Tow Eyes

Image	Stock Code	Capacity	Head	Body Type	Price
	C01132	6000kg Low Speed	35mm Eye	Tow Eye	R 1,195.00
	C07926	6000kg Low Speed	50mm Eye	Tow Eye	R1,095.00
	C07933	10 000kg Low Speed	40mm Eye	Tow Eye	R 995.00
	C07202	2 700kg <40km/h 2 400kg >40km/h	50mm Eye	Bolt-on Tow Eye	R4,495.00
	C07217	14 000kg Low Speed	50mm	Bolt-on Tow Eye	R 2,495.00
	C07206	30000kg Low Speed	50mm Eye	Bolt-on Tow Eye	R4,595.00
	C07230	3 000kg >km/h	40mm Eye	Bolt-on Tow Eye	R3,295.00

Prices are exclusive of VAT and subject to change without prior notice. (E & OE Notice - pg105)



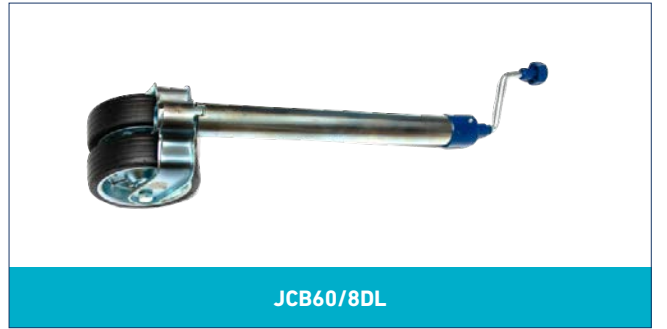
Jockey Wheels & Clamps

Stock Code	Description	Max Load	Stroke	Shaft Ø	Wheel	Price Each
JCB42/5.5S	Jockey Wheel	100kg	200mm	42mm	5.5" Steel Single	R 575.00
JCB48/8SL	Jockey Wheel	150kg	300mm	48mm	8" Steel Single	R 725.00
JCB60/8SL	Jockey Wheel	300kg	300mm	60mm	8" Steel Single	R 1,075.00
JCB60/8DL	Jockey Wheel	300kg	300mm	60mm	8" Steel Double	R 1,395.00
J0028	Jockey Wheel	550kg	300mm	57mm	210mm x 75mm	R 1,995.00
JCC42	Pressed Clamp	-	-	42mm	-	R 95.00
JCC48	Pressed Clamp	-	-	48mm	-	R135.00
JCB48	Cast Clamp	-	-	48mm	-	R 170.00
JCC60	Pressed Clamp	-	-	60mm	-	R 225.00
JC48/P700	Prop Stand	150kg	-	48mm	Flat Plate	R 195.00





JCB60/8SL



JCB60/8DL



J0028



JCC42



JCC48



JCB48



JCC60



JC48/P700



Parking Jacks

Stock Code	Outer Tube	Inner Tube	Stroke	Mass	Load	Total Length	Price Each
J0013	∅ 48mm	∅ 42mm	195mm	3.0kg	150kg	500mm	R 475.00
J0007	□ 60mm	□ 50mm	255mm	6.0kg	600kg	590mm	R 1,195.00
J0005	□ 60mm	□ 50mm	350mm	7.0kg	800kg	565mm	R1 325.00
J0012	∅ 57mm	∅ 50mm	350mm	5.6kg	900kg	540mm	R 1,095.00
J0017	∅ 51mm	∅ 45mm	250mm	5.6kg	900kg	430mm	R 1,175.00
J0010	□ 80mm	□ 70mm	300mm	13.0kg	1200kg	670mm	R 1,295.00
J0018	∅ 57mm	∅ 50mm	370mm	6.5kg	1300kg	560mm	R 1,375.00
J0006	□ 70mm	□ 60mm	350mm	8.4kg	1500kg	565mm	R1,575.00
J0009	□ 70mm	□ 60mm & □ 50mm	710mm	12.5kg	1500kg	595mm	R 2,195.00
J0014	□ 80mm	□ 70mm & □ 60mm	576mm	21.0kg	2500kg	685mm	R 2,595.00
J0008	□ 70mm	□ 60mm	300mm	12.6kg	3000kg	620mm	R1,750.00
J0015	□ 70mm	□ 60mm	200mm	16.5kg	4000kg	485mm	R 2,995.00
J0016	□ 70mm	□ 60mm	170mm	13.8kg	6000kg	460mm	R 2,795.00
J0021	Bush for J0017 and J0018 parking stands						R 115.00



Prices are exclusive of VAT and subject to change without prior notice. (E & OE Notice - pg105)



J0005 / J0006



J0012



J0017



J0010



J0018



J0009



J0014

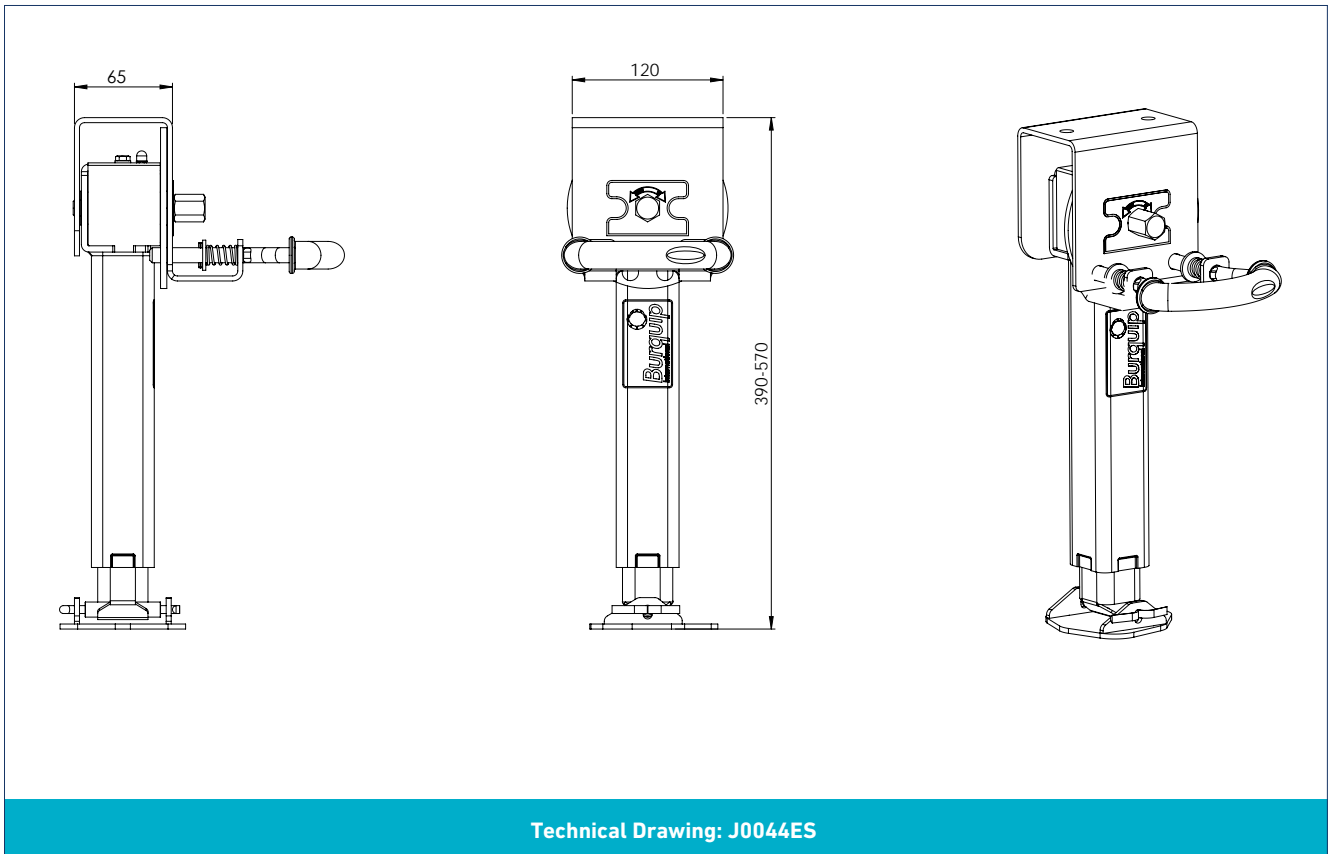


J0008



Stabiliser Legs

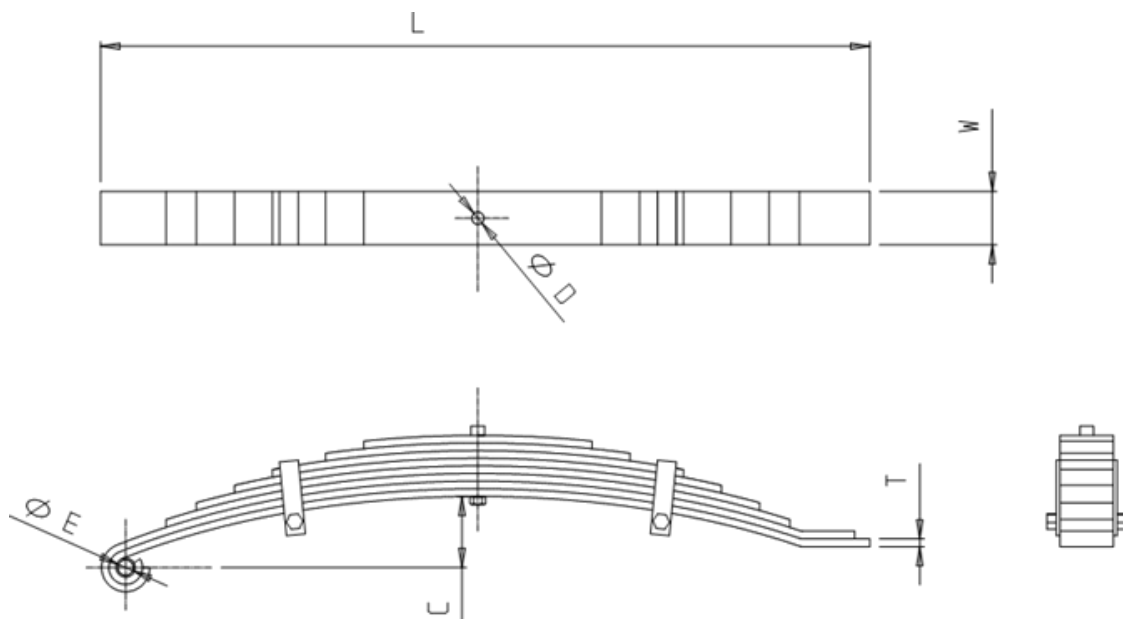
Stock Code	Stroke Length	Retracted Length	Extended Length	Mass	Linear Load Capacity	Price Each
J0044ES	180mm	380mm	560mm	6.3kg	500kg	R745.00
J0044E	290mm	520mm	810mm	6.9kg	500kg	R815.00
J0044L	430mm	690mm	1120mm	8.9kg	500kg	R885.00



Prices are exclusive of VAT and subject to change without prior notice. (E & OE Notice - pg105)

Leaf Springs

Stock Code	No. of Blades	C (mm)	ØD (mm)	ØE (mm)	L (mm)	T (mm)	W (mm)	Max Load/Pair	Rate (kg/mm)	Price Each
S03/27	3	80	12.5	12.5	685	6	44.5	560kg	3.44	R 305.00
S04/27	4	80	12.5	12.5	685	6	44.5	750kg	4.688	R 365.00
S05/27	5	80	12.5	12.5	685	6	44.5	950kg	5.936	R 415.00
S06/27	6	80	12.5	12.5	685	6	44.5	1 150kg	7.188	R 480.00
S07/27	7	80	12.5	12.5	685	6	44.5	1 350kg	8.438	R 510.00
S08/27	8	80	12.5	12.5	685	6	44.5	1 500kg	9.725	R 555.00
S10/27	10	80	12.5	12.5	685	6	44.5	1 800kg	11.25	R 675.00
S08/36	8	80	12.5	12.5	1020	8	50	2 000kg	12.5	R1,190.00
S10/36	10	80	12.5	12.5	1020	8	50	2 500kg	15.625	R 1,395.00
S05/40	5	95	16	20	1100	10	70	3 000kg	15.79	R 1,675.00
S08/40	8	95	16	20	1100	10	70	4 000kg	21.053	R 2,395.00
S12/40	12	95	16	20	1100	10	70	6 000kg	31.579	R 2,895.00
S13/40	13	95	16	20	1100	10	70	8 000kg	42.105	R 2,995.00



Prices are exclusive of VAT and subject to change without prior notice. (E & OE Notice - pg105)



Prices are exclusive of VAT and subject to change without prior notice. (E & OE Notice - pg105)



Spring Kits

Stock Code	No. of Blades	Max Load/Pair	Length	Blade Size (mm)	Supported Axle	Price Each
SKIT3000	5	3 000kg	1100mm	70 x 10	□ 55	R 2,495.00
SKIT4000	8	4 000kg	1100mm	70 x 10	□ 60	R 3,295.00
SKIT6000	12	6 000kg	1100mm	70 x 10	□ 70	R 3,795.00
SKIT8000	13	8 000kg	1100mm	70 x 10	□ 80	R 3,895.00





Spring Mounting Kits

Stock Code	Supported Axle	Spring Width	U-Bolts	Plate	Hanger Set	Price Each
TC40R44.5G	∅ 40mm	44.5mm	SU40R	S5HP40	SH45	R 182.00
TC40S44.5G	□ 40mm	44.5mm	SU40S	S5HP40	SH45	R 165.00
TC45S44.5G	□ 45mm	44.5mm	SU45S	S5HP45	SH45	R 225.00
TC50S50G	□ 50mm	50.0mm	SU50S	S5HP50	SH50	R 235.00

Spring Mounting Kit Components

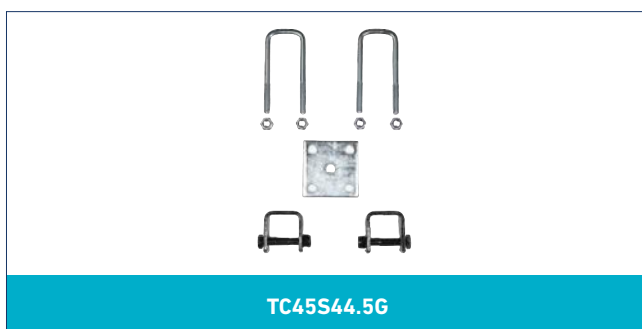
1 X 5 hole plate

2 x U-bolts & nuts

1 x Hanger Bracket

1 X Slipper Bracket

1 x Saddle (TC40R44.5G Only)

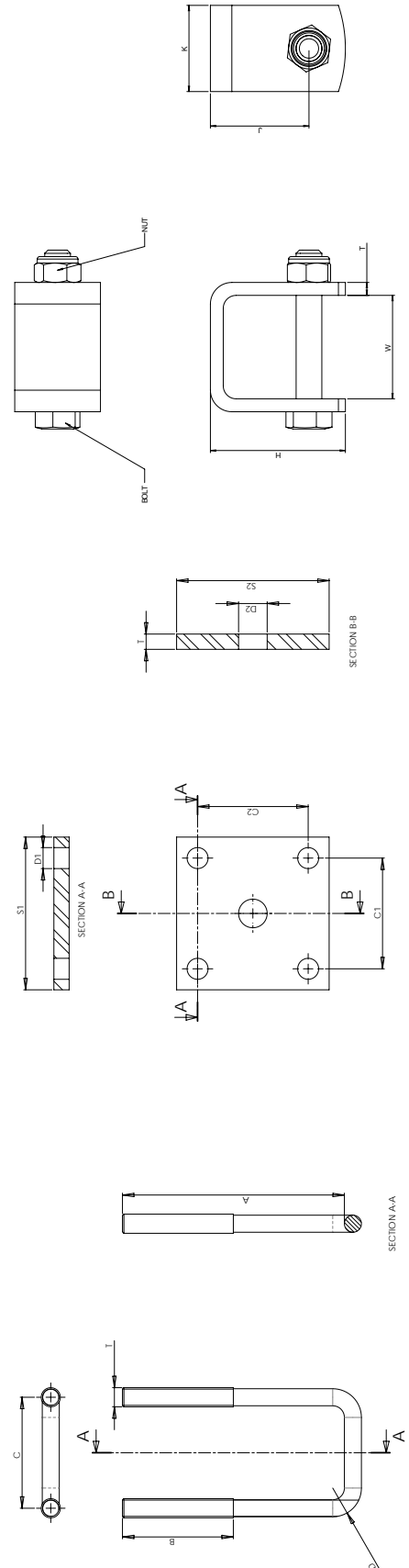


Prices are exclusive of VAT and subject to change without prior notice. (E & OE Notice - pg105)



Spring Mounting Kits Components

Stock Code	U-Bolt (mm)				Radius	Plate (mm)								Hanger (mm)						
	A	B	C	D		T	C1	C2	d1	D2	S1	S2	t	Bolt	Nut	H	J	K	t1	W
TC40R44.5G	131	68	58	58	M10	24.5	58	58	11	15	90	80	8	M12X75G	M12NY	63	46	40	6	48
TC40S44.5G	116	58	58	5	M10		58	58	11	15	90	80	8	M12X75G	M12NY	63	46	40	6	48
TC45S44.5G	128	50	61	5	M12		61	61	13	15	90	90	10	M12X75G	M12NY	63	46	40	6	48
TC50S50G	169	80	67	5	M12		67	67	13	16	100	100	10	M12X90G	M12NY	75	58	40	6	55
SKIT3000	150	55	77	5	M16		92	77	18	25	125	120	10	M20X120G	M20NY	80	56	90	6	75
SKIT4000	185	55	82	5	M16		92	82	18	25	125	125	10	M20X120G	M20NY	80	56	90	6	75
SKIT6000	240	55	92	5	M16		97	92	18	25	140	140	10	M20X120G	M20NY	80	56	90	6	75
SKIT8000	270	55	102	5	M16		102	92	18	25	140	140	10	M20X120G	M20NY	80	56	90	6	75



Prices are exclusive of VAT and subject to change without prior notice. (E & OE Notice - pg105)

Mechanical Spring Kits

3 500kg - 36 000kg

Stock Code	No. of Blades	Max Load	Orientation	Blade Size (mm)	Supported Axle	Price Each
SKIT3500-1	7	3 000kg	Overslung Single	70 x 10	□ 70	R6,995.00
SKIT3500-2	7	7 000kg	Overslung Tandem	70 x 10	□ 70	R 16,295.00
SKIT5000-1	6	5 000kg	Overslung Single	76 x 10	□ 80	R9,170.00
SKIT5000-2	6	10 000kg	Overslung Tandem	76 x 10	□ 80	R22,510.00
SKIT90000-1	7	9 000kg	Overslung Single	76 x 16	Ø 127mm	R18,010.00
SKIT90000-2	7	18 000kg	Overslung Tandem	76 x 16	Ø 127mm	R35,440.00
SKIT90000-3	7	27 000kg	Overslung Tridem	76 x 16	Ø 127mm	R53,270.00
SKIT9000U-1	7	9 000kg	Underslung Single	76 x 16	Ø 127mm	R18,260.00
SKIT9000U-2	7	18 000kg	Underslung Tandem	76 x 16	Ø 127mm	R36,270.00
SKIT9000U-3	7	27 000kg	Underslung Tridem	76 x 16	Ø 127mm	R55,020.00
SKIT9000U-4	7	36 000kg	Underslung Quadrem	76 x 16	Ø 127mm	R75,020.00

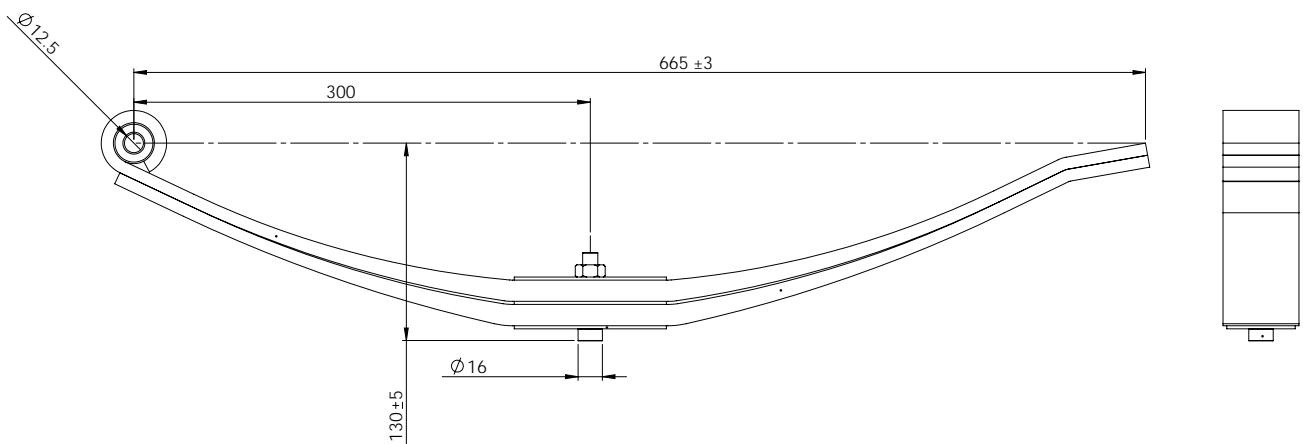
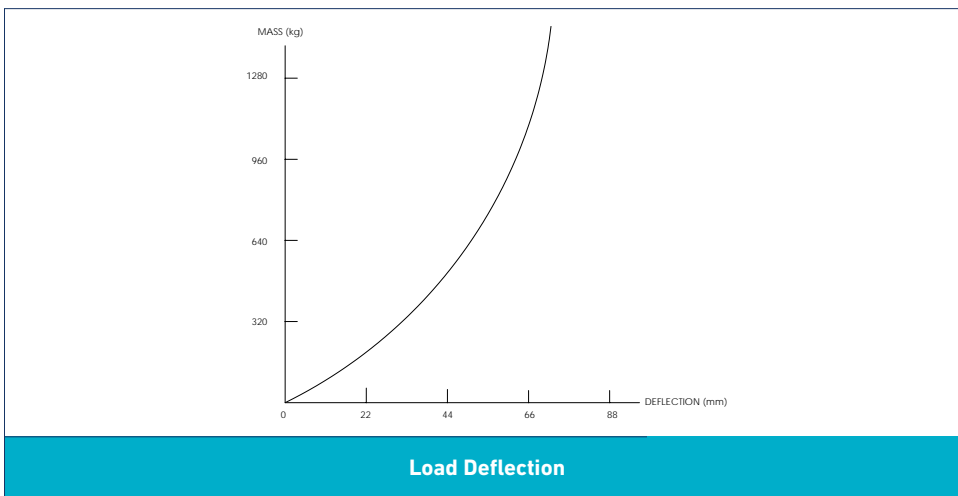


Prices are exclusive of VAT and subject to change without prior notice. (E & OE Notice - pg105)



Parabolic Springs

Stock Code	No. of Blades	Max Load	Price Each
S02/27-14x50P	2	1250kg	R647.00



Prices are exclusive of VAT and subject to change without prior notice. (E & OE Notice - pg105)



U-Bolts

Stock Code	Description	Size	Price Each
SU40S	U-Bolt 40mm Square	M10x50x125	R23.00
SU40R	U-Bolt 40mm Round	M10x50x130	R25.00
SU45S	U-Bolt 45mm Square	M12x50x140	R37.00
SU45S.170	U-Bolt 45mm Square	M12x50x170	R 55.00
SU45R	U-Bolt 45mm Round	M12x50x140	R40.00
SU50S	U-Bolt 50mm Square	M12x50x165	R37.00
SU50R	U-Bolt 50mm Round	M12x50x180	R47.00
SU55S	U-Bolt 55mm Square	M16x60x150	R 120.00
SU60S	U-Bolt 60mm Square	M16x65x185	R145.00
SU70S	U-Bolt 70mm Square	M16x75x240	R 160.00
SU70S-174	U-Bolt 70mm Square	M16x75x240	R 175.00
SU80S	U-Bolt 80mm Square	M16x85x270	R 205.00
SU080-M22	U-Bolt 80mm Square	M22x80x255	R 595.00
SU150S	U-Bolt 150mm Square		R313.00

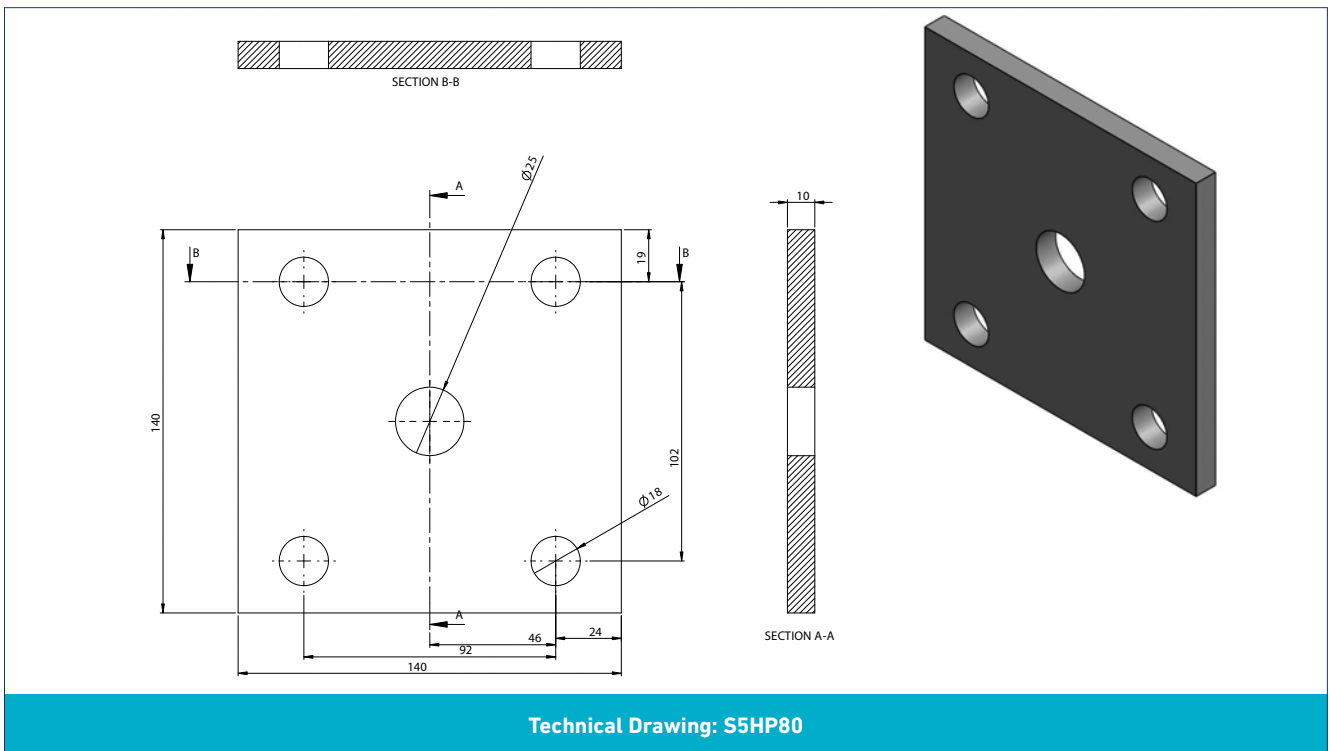


Prices are exclusive of VAT and subject to change without prior notice. (E & OE Notice - pg105)



5 Hole Plates

Stock Code	Description	Size	Price Each
S5HP40	5 Hole Plate 40mm	90x80x8mm	R40.00
S5HP45	5 Hole Plate 45mm	90x90x10mm	R 60.00
S5HP50	5 Hole Plate 50mm	100x100x10mm	R 80.00
S5HP55	5 Hole Plate 55mm	125x120x10mm	R145.00
S5HP60	5 Hole Plate 60mm	125x125x10mm	R 155.00
S5HP70	5 Hole Plate 70mm	140x140x10mm	R 175.00
S5HP80	5 Hole Plate 80mm	140x140x10mm	R 195.00
SA0006001	5 Hole Plate for 80mm High Speed Square Axles		R334.00
SA0008001	Spring Seat for 80mm High Speed Square Axles		R573.00
S5HP90X75	5 Hole Plate for 90mm Low Speed Square Axles		R 315.00
SM0011002	Rod bracket for 90mm & 100mm Low Speed Square Axles		R923.00
SM0012002	Spring Seat for 90mm & 100mm Low Speed Square Axles		R419.00



Prices are exclusive of VAT and subject to change without prior notice. (E & OE Notice - pg105)



Saddles

Stock Code	Description	Price Each
S1HP45x08	Flat Saddle (Square Axles)	R21.00
SS40	Saddle 40mm Round	R23.00

Bolts

Stock Code	Description	Price Each
M12X75G	Bolt M12x75mm Galvanised	R14.00
M20X300G	Bolt M20x300mm Galvanised	R152.00

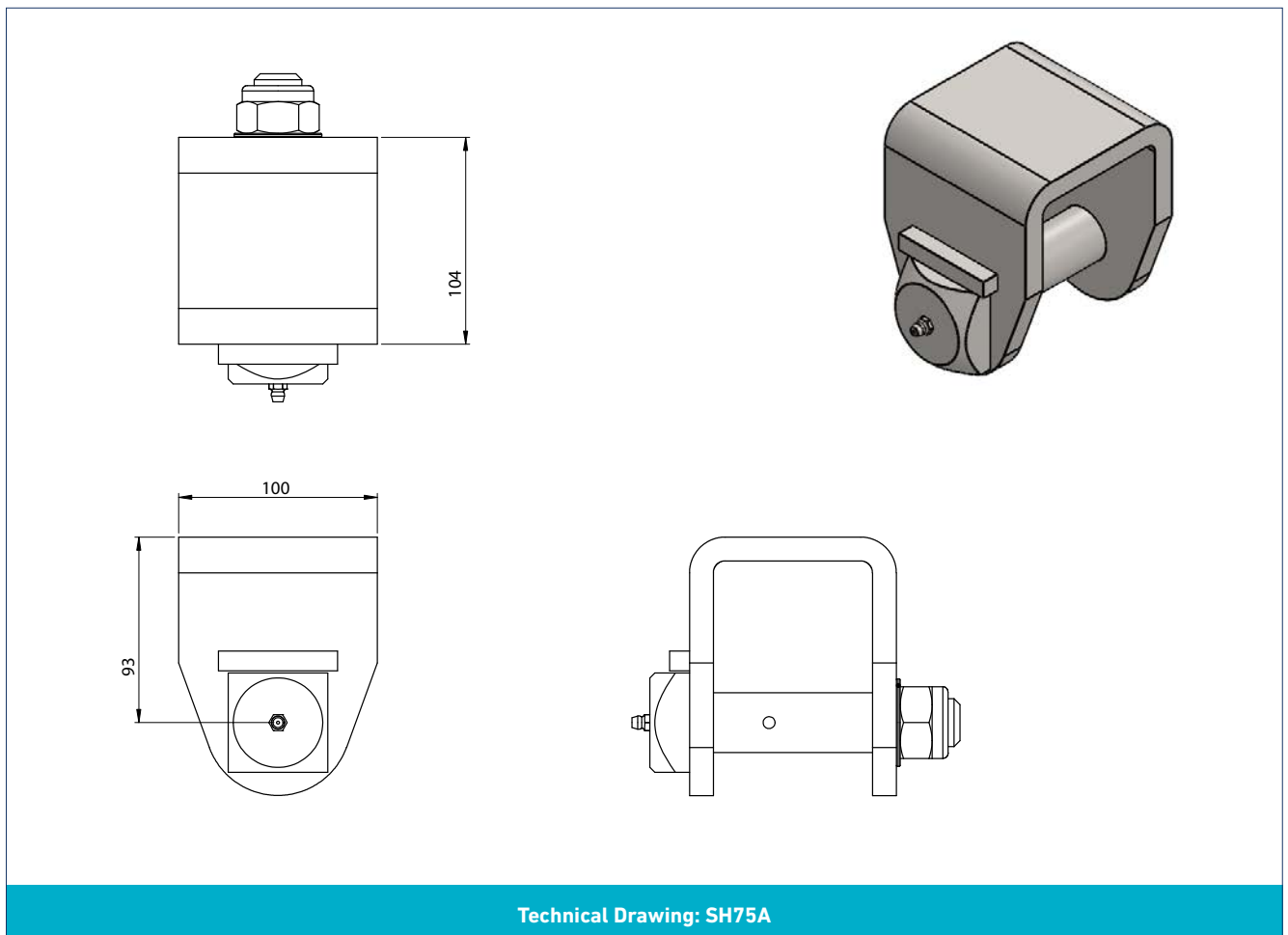


SS40



Hangers

Stock Code	Description	Price Each
SH45	Hanger Set 45mm	R 80.00
SH50	Hanger Set 50mm (STD)	R90.00
SH70	Hanger Set 70mm (STD)	R167.00
SH70H-10	Hanger 70mm High Speed	R 375.00
SH70S-10	Slipper 70mm High Speed	R515.00
SM0001001	Hanger Front Overslung 76mm	R2,510.00
SM0003001	Hanger Middle Overslung 76mm	R1,260.00
SM0002001	Hanger Rear Overslung 76mm	R1,010.00

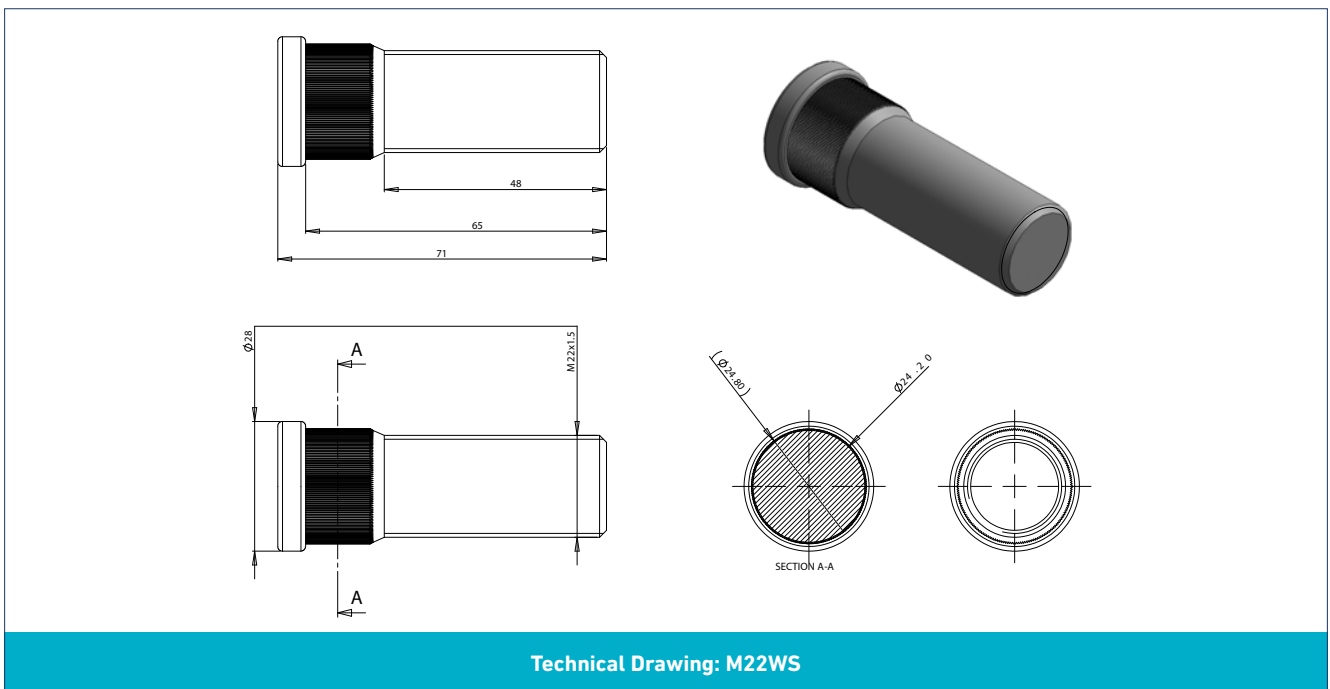


Prices are exclusive of VAT and subject to change without prior notice. (E & OE Notice - pg105)



Wheel Studs

Stock Code	Description	Size	Price Each
M12WS	M12 Wheel Stud	41x14x21x1,5mm	R8.00
M14WSR	M14 Wheel Stud	48x15,5x14x1,5mm	R23.00
M16WS	M16 Wheel Stud	45x17,2x16x1,5mm	R27.00
M18WS	M18 Wheel Stud	49x19,3x18x1,5mm	R37.00
M18WSBADR.66	M18 Wheel Stud BRK ADR	66x21,5x18x1,5mm	R162.00
M20WSADR	M20 Wheel Stud ADR	70x21,5x20x1,5mm	R67.00
M20WSBADR	M20 Wheel Stud BRK ADR	87x21,5x20x1,5mm	R112.00
M22WS	M22 Wheel Stud FAD	65x24,2x22x1,5mm	R228.00
M22WS-105	M22 Wheel Stud	94x24x22x1,5mm	R67.00
M22WS.122	M22 Wheel Stud Alluminium Rims		R77.00
M22WSA	M22 Wheel Stud ALION		R73.00
M22WSA.88	M22 Wheel Stud ALION		R77.00
M22WSADR	M22 Wheel Stud ADR	71x24,1x22x1,5mm	R76.50
M22WSADR.90	M22 Wheel Stud ADR	84x24,1x22x1,5mm	R73.00



Prices are exclusive of VAT and subject to change without prior notice. (E & OE Notice - pg105)



Wheel Nuts

Stock Code	Description	Size	Price Each
M12WN	M12 Wheel Nut	41x14x12x1,5mm	R7.00
M14WN	M14 Wheel Nut	48x15,5x14x1,5mm	R24.00
M16WN	M16 Wheel Nut	45x17,2x16x1,5mm	R15.00
M18WNR16	M18 Wheel Nut	49x19,3x18x1,5mm	R12.00
M20WNADR	M20 Wheel Nut	66x21,5x18x1,5mm	R23.00
M22WN	M22 Wheel Nut	70x21,5x20x1,5mm	R64.00
M22WNADR	M22 Wheel Nut	87x21,5x20x1,5mm	R31.00
M22WNF	M22 Wheel Nut Flanged	65x24,2x22x1,5mm	R30.00

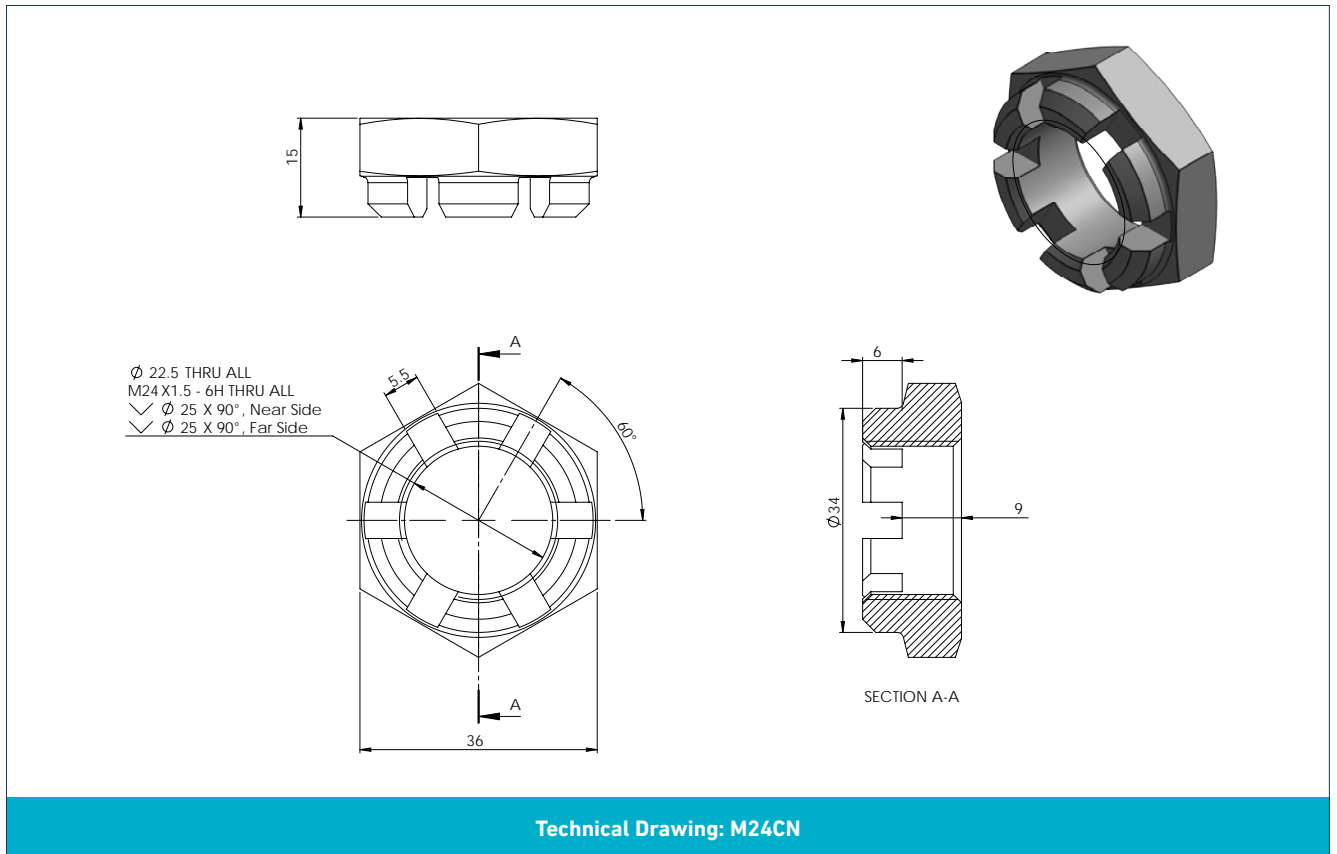
Nylock Nuts

Stock Code	Description	Size	Price Each
M12NY	M12 Nylock Nut	41x14x12x1,5mm	R3.00
M14NY	M14 Nylock Nut	48x15,5x14x1,5mm	R17.00
M16NY	M16 Nylock Nut	45x17,2x16x1,5mm	R11.00
M20NY	M20 Nylock Nut	49x19,3x18x1,5mm	R8.00
M22NY	M22 Nylock Nut	66x21,5x18x1,5mm	R28.00



Castle Nuts

Stock Code	Description	Size	Price Each
M18CN	M18 Castle Nut	M18x1,5 (27mm)	R21.00
M24CN	M24 Castle Nut	M24x1,5 (36mm)	R37.00
M33CN2	M33 Castle Nut	M33x2,0 (50mm)	R83.00
M36CN2	M36 Castle Nut	M36x2,0 (55mm)	R112.00
M39CN	M39 Castle Nut	M39x2,0	R61.00



Prices are exclusive of VAT and subject to change without prior notice. (E & OE Notice - pg105)



Grease Caps

Stock Code	Description	Price Each
GCAP47.1	Grease Cap 47mm	R23.00
GCAP52.1	Grease Cap 52mm	R27.00
GCAP62.1	Grease Cap 62mm	R29.00
GCAP72.1	Grease Cap 72mm	R138.00
GCAP80.1	Grease Cap 80mm	R73.00
GCAP80.2	Grease Cap 80mm ADR	R 75.00
GCAP85.1	Grease Cap 85mm	R77.00
GCAP85.2	Grease Cap 85mm	R84.00
GCAP90.1	Grease Cap 90mm	R186.00
GCAP100.1	Grease Cap 100mm	R 215.00
GCAP100.2	Grease Cap 100mm ADR	R 125.00
GCAP110.1	Grease Cap 110mm	R95.00
GCAP110.2	Grease Cap 110mm	R 155.00
GCAP160.0	Grease Cap 160mm AF90 & AFB90C	R156.00
GCAP160.1	Grease Cap 160mm ADR 90 & 100mm SQ	R 225.00
GCAP180.0	Grease Cap 180mm	R165.00
GCAP185.0	Grease Cap 185mm 164 DIA with gasket	R 475.00
GCAP220.1	Grease Cap 220mm ADR 150mm SQ	R895.00



Grease Caps

Prices are exclusive of VAT and subject to change without prior notice. (E & OE Notice - pg105)



Knott Braked Coupler Spares

Pressed Steel Bodies

No.	Stock Code	Description	Price Each
2	CBKS07	Guide Bearing, excl. lock "Brown with white ferrule" KF13/20	R182.00
2	CBKS07S	Guide Bearing, incl. lock "New, Black Snapper" KF13/20	R202.00
2	CBKS09	Guide Bearing, excl. lock "Brown with white ferrule" KF27/30	R212.00
2	CBKS09S	Guide Bearing, incl. lock "New, Black Snapper" KF27/30	R212.00
3	CBKS19	Grease Nipple Press in "KF13/20/27 & 30"	R19.00
4	CBKS05	Drawbar 45mm diameter "KF13 & KF20"	R1,220.00
4	CBKS08	Drawbar 50mm diameter "KF27"	R1,540.00
4	CBKS08-8	Drawbar 50mm diameter with 14mm bolt holes "KF30"	R1,540.00
5	CBKS06	Drawbar Stop Ring "KF20"	R152.00
5	CBKS21	Drawbar Stop Ring "KF27 & KF30"	R25.00
6	CHDK1300	Shock Absorber "KF13 - 87 0007 09"	R1,670.00
6	CHDK2000E	Shock Absorber "KF20 - 87 1011 09"	R700.00
6	CHDK2000	Shock Absorber "KF20 - 87 0011 09"	R1,350.00
6	CHDK2700	Shock Absorber "KF27 - 87 0039 09"	R1,500.00
6	CHDK3000	Shock Absorber "KF30 - 87 0039 09-14"	R1,350.00
7	CBKBALL45A	Coupling Head Ball Type 50mm "KF13"	R 1,095.00
7	CBKBALL45	Coupling Head Ball Type 50mm "KF20"	R 895.00
7	CBKBALL50	Coupling Head Ball Type 50mm "KF27"	R1,295.00
7	CBKBALL50A	Coupling Head Ball Type 50mm "KF30"	R1,495.00
13	CBKS01	Bellow "KF13 & KF20"	R 165.00
13	CBKS17	Bellow "KF27 & KF30"	R152.00
20	CBKS03	Hand Brake Lever Complete "KF13, KF20 & KF27"	R2,290.00
21	BCK3.5x1200	Brake Away Cable Complete 1050mm	R 210.00
22	CBKS04	Hand Brake Damper "KF13, KF20, KF27 & KF30"	R1,220.00

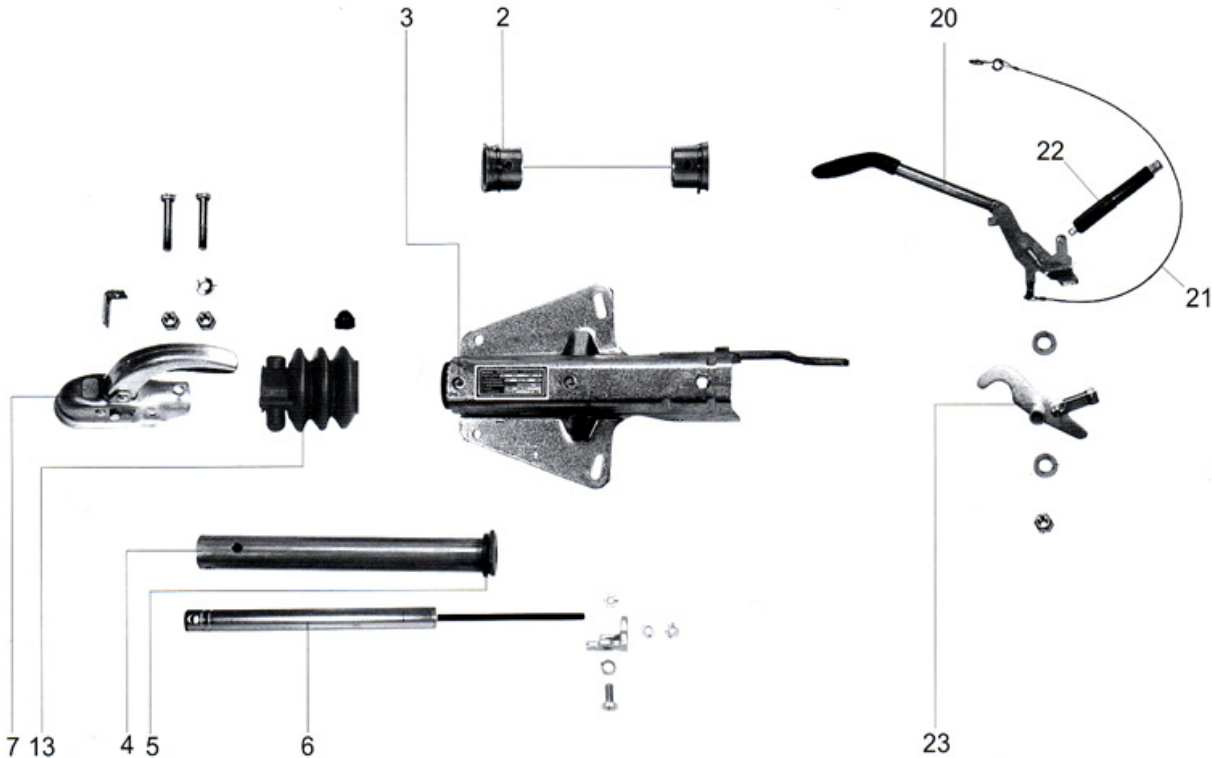
NOTES:

Refer to image on the next page.

Prices are exclusive of VAT and subject to change without prior notice. (E & OE Notice - pg105)



Pressed Steel Bodies

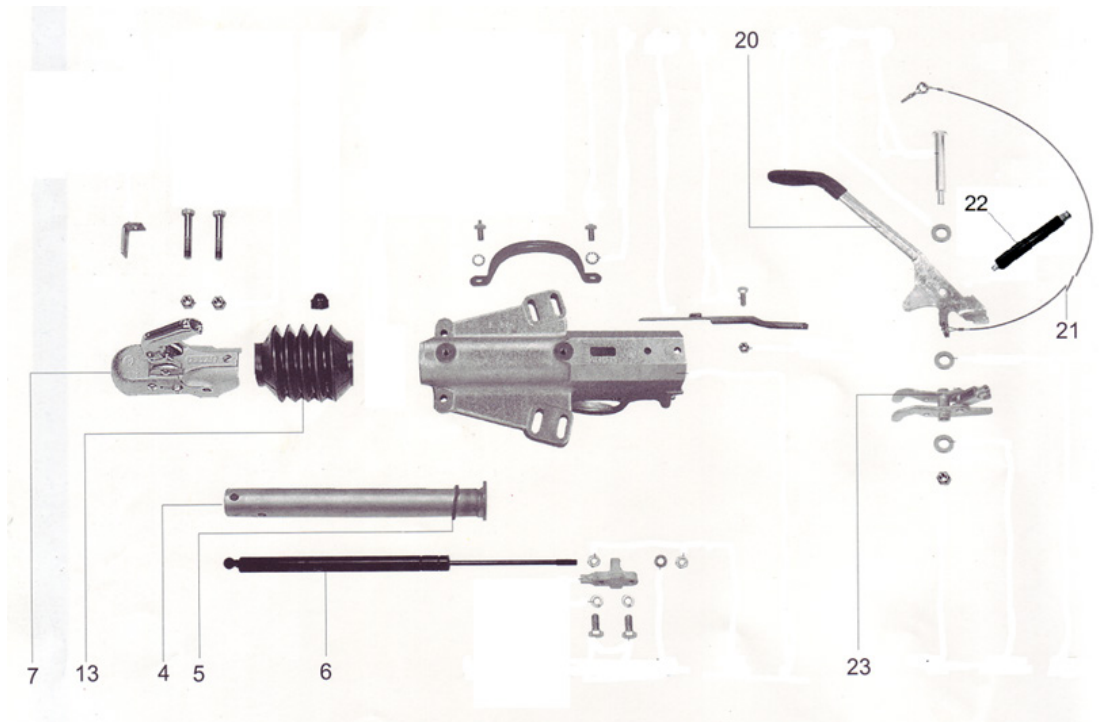




Knott Braked Coupler Spares

Cast Iron Bodies

No.	Stock Code	Description	Price Each
3	CBKS20	Grease Nipple M12 "KF35"	R52.00
4	CBKS12	Draw Tube 60mm diameter "KF35"	R1,690.00
5	CBKS13	Draw Tube Stop Ring "KF35"	R20.00
6	CHDK3500	Shock Absorber / Hydraulic Damper "KF35 - 87 0036 09"	R1,540.00
7	CBKBALL60	Coupling Head Ball Type 50mm "KF35"	R 1,995.00
13	CBKS02	Bellow "KF35"	R 235.00
20	CBKS10	Hand Brake Lever Complete "KF35"	R2,600.00
21	BCK3.5x1200	Brake Away Cable Complete 1050mm	R 210.00
22	CBKS11	Hand Brake Damper "KF35"	R1,580.00



Prices are exclusive of VAT and subject to change without prior notice. (E & OE Notice - pg105)



Coupler Din Eye Heads

Stock Code	Description	Pin Hole Size	Price Each
CBKEYE45	Coupler Eye 45mm Shaft	40mm	R1,595.00
CBKEYE50	Coupler Eye 50mm Shaft	40mm	R 2,995.00
CBKEYE50A	Coupler Eye 50mm 14mm Bolts	40mm	R2,330.00
CBKEYE60	Coupler Eye 60mm Shaft	40mm	R2,330.00
CBKEYE45X76	Coupler Eye 45mm Shaft	76mm	R1,995.00
CBKEYE50X76	Coupler Eye 50mm Shaft	76mm	R 2,695.00
CBKEYE60X76	Coupler Eye 60mm Shaft	76mm	R3,110.00



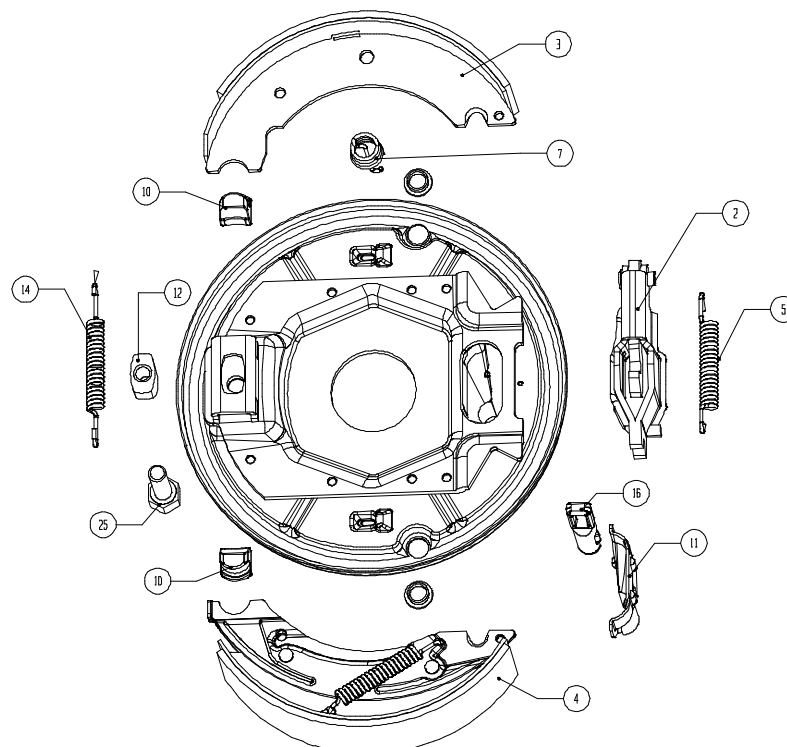
CBKEYE50A



Brake Mechanisms

BK200 (200x50)

No.	Stock Code	Description	Price Each
1	BK200L	Complete Brake Mechanism LHS	R 1,395.00
1	BK200R	Complete Brake Mechanism RHS	R 1,395.00
2	BSK200.02	Expander	R 105.00
3	BSK200.03	Leading Brake Shoe "Top"	R495.00
4	BSK200.04	Trailing Brake Shoe "Bottom"	R575.00
5	BSK200.05	Return Spring Primary	R16.00
7	BSK200.07	Retaining Spring	R 65.00
10	BSK200.10	Cam Follower	R15.00
11	BSCRPK1	Brake Retaining Plate	R49.00
12	BSK200.12	Brake Wedge	R 35.00
14	BSK200.14	Return Spring Secondary	R 40.00
16	BSK200.16	Link Expander	R195.00
25	BSK200.25	Brake Adjust Screw	R7.00



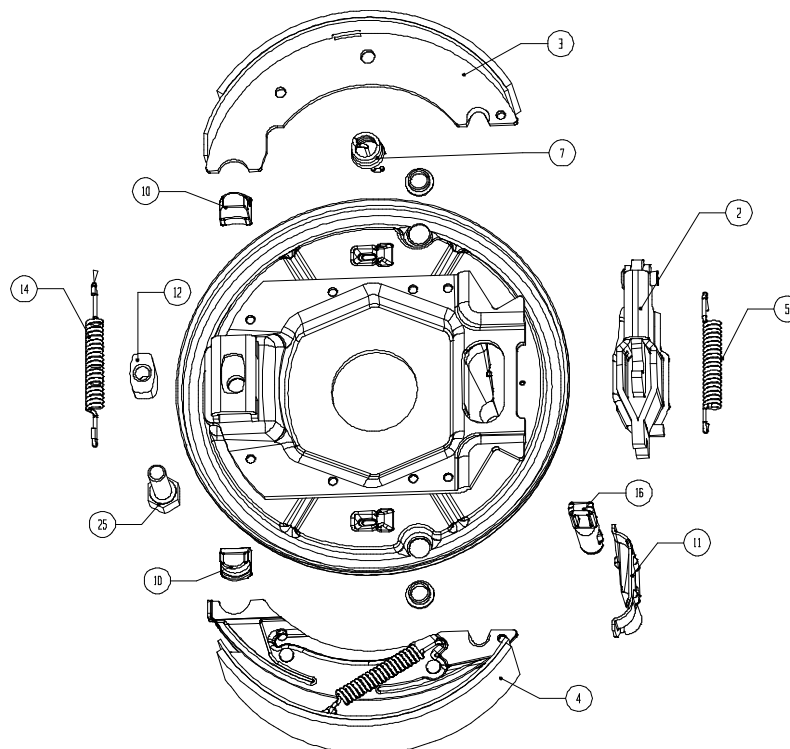
Prices are exclusive of VAT and subject to change without prior notice. (E & OE Notice - pg105)



Brake Mechanisms

BK250B (250x40)

No.	Stock Code	Description	Price Each
1	BK250BL	Complete Brake Mechanism LHS	R 2,395.00
1	BK250BR	Complete Brake Mechanism RHS	R 2,395.00
2	BSK200.02	Expander	R 105.00
3	BSK250B.03	Leading Brake Shoe "Top"	R647.00
4	BSK250B.04	Trailing Brake Shoe "Bottom"	R997.00
5	BSK250B.05	Return Spring Primary	R17.00
7	BSK250B.07	Retaining Spring	R52.00
10	BSK250B.10	Cam Follower	R20.00
11	BSCRPK1	Brake Retaining Plate	R49.00
12	BSK250B.12	Brake Wedge	R40.00
14	BSK250B.14	Return Spring Secondary	R23.00
16	BSK200.16	Link Expander	R195.00
25	BSK250B.25	Brake Adjust Screw	R9.00



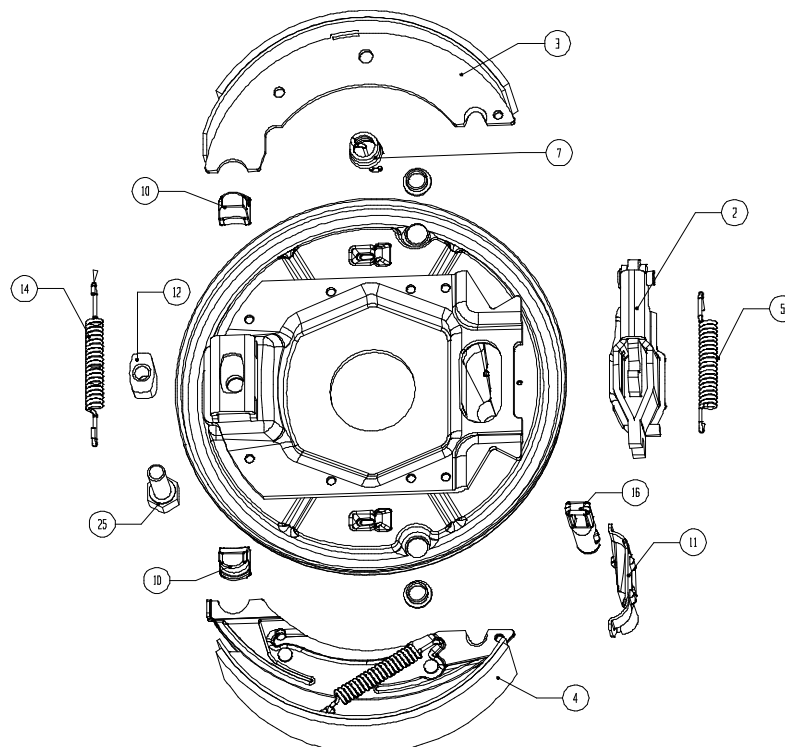
Prices are exclusive of VAT and subject to change without prior notice. (E & OE Notice - pg105)



Brake Mechanisms

BK250A (250x50)

No.	Stock Code	Description	Price Each
1	BK250AL	Complete Brake Mechanism LHS	R 2,395.00
1	BK250AR	Complete Brake Mechanism RHS	R 2,395.00
2	BSK200.02	Expander	R 105.00
3	BSK250A.03	Leading Brake Shoe "Top"	R995.00
4	BSK250A.04	Trailing Brake Shoe "Bottom"	R1,330.00
5	BSK250B.05	Return Spring Primary	R17.00
7	BSK200.07	Retaining Spring	R 65.00
10	BSK250B.10	Cam Follower	R20.00
11	BSCRPK1	Brake Retaining Plate	R49.00
12	BSK250B.12	Brake Wedge	R40.00
14	BSK250B.14	Return Spring Secondary	R23.00
16	BSK200.16	Link Expander	R195.00
25	BSK250B.25	Brake Adjust Screw	R9.00



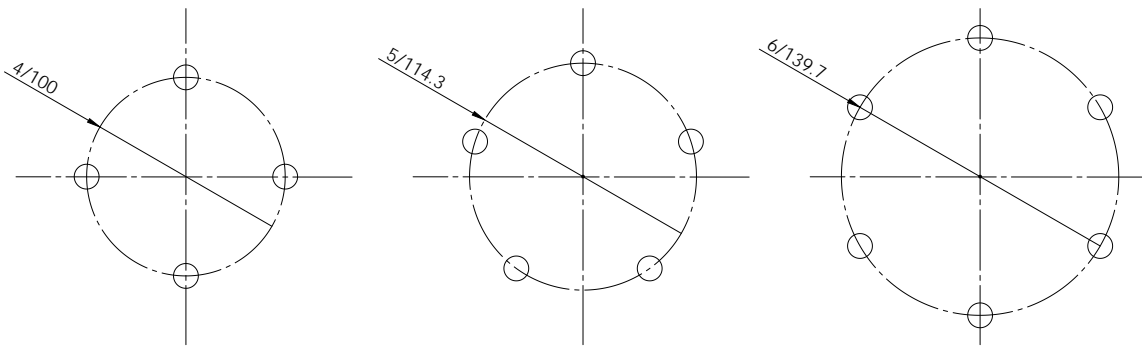
Prices are exclusive of VAT and subject to change without prior notice. (E & OE Notice - pg105)



Introduction to Pitch Circle Diameters (PCD)

The wheel studs or wheel bolts are inserted into holes drilled into the hubs. These small holes are drilled equally spaced on the circumference of a circle centred on the axis of the wheel bearings. The diameter of this circle is called the Pitch Circle Diameter or PCD. It is essential that the PCD of the hub and the PCD of the wheel correspond exactly.

The following tables show the common PCD's used in the **Burquip's** axle and wheels range.



PCD	Code	C (mm)	No of Holes (n)	Diameter (mm)
4/100	.01	70.711	4	100
5/114.3	.02	67.184	5	114.3
5/165.1	.03	97.043	5	165.1
6/139.7	.04	69.850	6	139.7
6/205	.05	102.500	6	205
8/275	.06	105.238	8	275
5/150	.07	88.168	5	150
4/114.3	.08	80.822	4	114.3
Special	.09			
10/335	.10	103.521	10	335
4/139.7	.11	98.783	4	139.7
5/140	.12	82.290	5	140
5/112	.13	65.832	5	112
5/120.65	.14	70.916	5	120.65
10/225	.15	69.529	10	225

Where C is the distance between consecutive hole centers.

Special PCD's are those that we rarely drill, e.g. 4/108; 4/101.6; 5/127, etc. If we see that a specific special PCD is becoming popular we will denote it with the next available number.

PCD are calculated according to the following formula using the symbols defined above:

$$PCD = \frac{C}{\sin(180^\circ/n)}$$



Brake Drums

1600kg Axle

Components

Brake Drum	Grease Cap	Split Pin	Castle Nut	Spacer	Bearings	Wheel Bolt	Oil Seal
HBB200B.01C	GCAP52.1	M3.2X36SP	M18CN	M20BSFW	B30205 & B32007	M12WB24	OS42-62-7
HBB200B.02C	GCAP52.1	M3.2X36SP	M18CN	M20BSFW	B30205 & B32007	M12WB24	OS42-62-7
HBB200B.04C	GCAP52.1	M3.2X36SP	M18CN	M20BSFW	B30205 & B32007	M12WB24	OS42-62-7
HBB200B.04SC	GCAP52.1	M3.2X36SP	M18CN	M20BSFW	B30205 & B32007	M12WS & M12WN	OS42-62-7

Stock Code	Description	Price Each
HBB200B.01C	Complete Brake Drum 4/100 pcd	R1,170.00
HBB200B.02C	Complete Brake Drum 5/114 pcd	R1,170.00
HBB200B.04C	Complete Brake Drum 6/140 pcd	R1,170.00
HBB200B.04SC	Complete Brake Drum 6/140 pcd with studs & nuts	R1,170.00
GCAP52.1	Grease Cap 52mm	R27.00
M3.2X36SP	Split Pin	R1.00
M18CN	M18 Castle Nut M18x1,5	R21.00
M20BSFW	Spacer 19mmx34mmx3mm	R4.00
B30205	Bearing 30205	R 80.00
B32007	Bearing 32007	R 105.00
M12WB24	M12 Wheel Bolt 1,5mm	R10.00
M12WS	M12 Wheel Studs 1,5mm	R8.00
M12WN	M12 Wheel Nuts 1,5mm	R7.00
OS42-62-7	Oil Seal 42x62x7	R 16.00

Prices are exclusive of VAT and subject to change without prior notice. (E & OE Notice - pg105)



Brake Drums

1800kg Axle

Components

Brake Drum	Grease Cap	Split Pin	Castle Nut	Spacer	Bearings	Wheel Bolt	Oil Seal
HBB250B.02C	GCAP52.1	M3.2X36SP	M18CN	M20BSFW	B30205 & B32007	M12WB24	OS42-62-7
HBB250B.04C	GCAP52.1	M3.2X36SP	M18CN	M20BSFW	B30205 & B32007	M12WB24	OS42-62-7
HBB250B.07C	GCAP52.1	M3.2X36SP	M18CN	M20BSFW	B30205 & B32007	M14WSR & M14WN	OS42-62-7

Stock Code	Description	Price Each
HBB250B.02C	Complete Brake Drum 5/114.3	R1,840.00
HBB250B.04C	Complete Brake Drum 6/140 pcd with wheel bolts	R1,840.00
HBB250B.07C	Complete Brake Drum 5/150 pcd	R1,840.00
GCAP52.1	Grease Cap 52mm	R27.00
M3.2X36SP	Split Pin	R1.00
M18CN	M18 Castle Nut M18x1,5	R21.00
M20BSFW	Spacer 19mmx34mmx3mm	R4.00
B30205	Bearing 30205	R 80.00
B32007	Bearing 32007	R 105.00
M12WB24	M12 Wheel Bolt 1,5mm	R10.00
M14WSR	M14 Wheel Studs 1,5mm	R23.00
M14WN	M14 Wheel Nuts 1,5mm	R24.00
OS42-62-7	Oil Seal 42x62x7	R 16.00

Prices are exclusive of VAT and subject to change without prior notice. (E & OE Notice - pg105)



Brake Drums

2500kg Axle

Components

Brake Drum	Grease Cap	Split Pin	Castle Nut	Spacer	Bearings	Wheel Bolt	Oil Seal
HBB250A.03C	GCAP62.1	M4x40SP	M24CN	M24BSFW	B30206 & B30208	M16WN & M16WS	OS48-80-10
HBB250A.04C	GCAP62.1	M4x40SP	M24CN	M24BSFW	B30206 & B30208	M12WS & M12WN	OS48-80-10
HBB250A.07C	GCAP62.1	M4x40SP	M24CN	M24BSFW	B30206 & B32008	M14WSR & M14WN	OS48-80-10

Stock Code	Description	Price Each
HBB250A.03C	Complete Brake Drum 5/165 pcd	R1,840.00
HBB250A.04C	Complete Brake Drum 6/139.7 pcd	R1,840.00
HBB250A.07C	Complete Brake Drum 5/150 pcd	R1,840.00
GCAP62.1	Grease Cap 62mm	R29.00
M4X40SP	Split Pin	R1.00
M24CN	M24 Castle Nut M24x1,5	R37.00
M24BSFW	Spacer 25mmx44mmx4mm	R7.00
B30206	Bearing 30206	R 85.00
B30208	Bearing 30208	R 165.00
M12WS	M12 Wheel Studs 1,5mm	R8.00
M12WN	M12 Wheel Nuts 1,5mm	R7.00
M14WSR	M14 Wheel Studs 1,5mm	R23.00
M14WN	M14 Wheel Nuts 1,5mm	R24.00
M16WN	M16 Nuts 1,5mm	R15.00
M16WS	M16 Wheel Studs 1,5mm	R27.00
OS48-80-10	Oil Seal 48x80x10	R39.00

Prices are exclusive of VAT and subject to change without prior notice. (E & OE Notice - pg105)

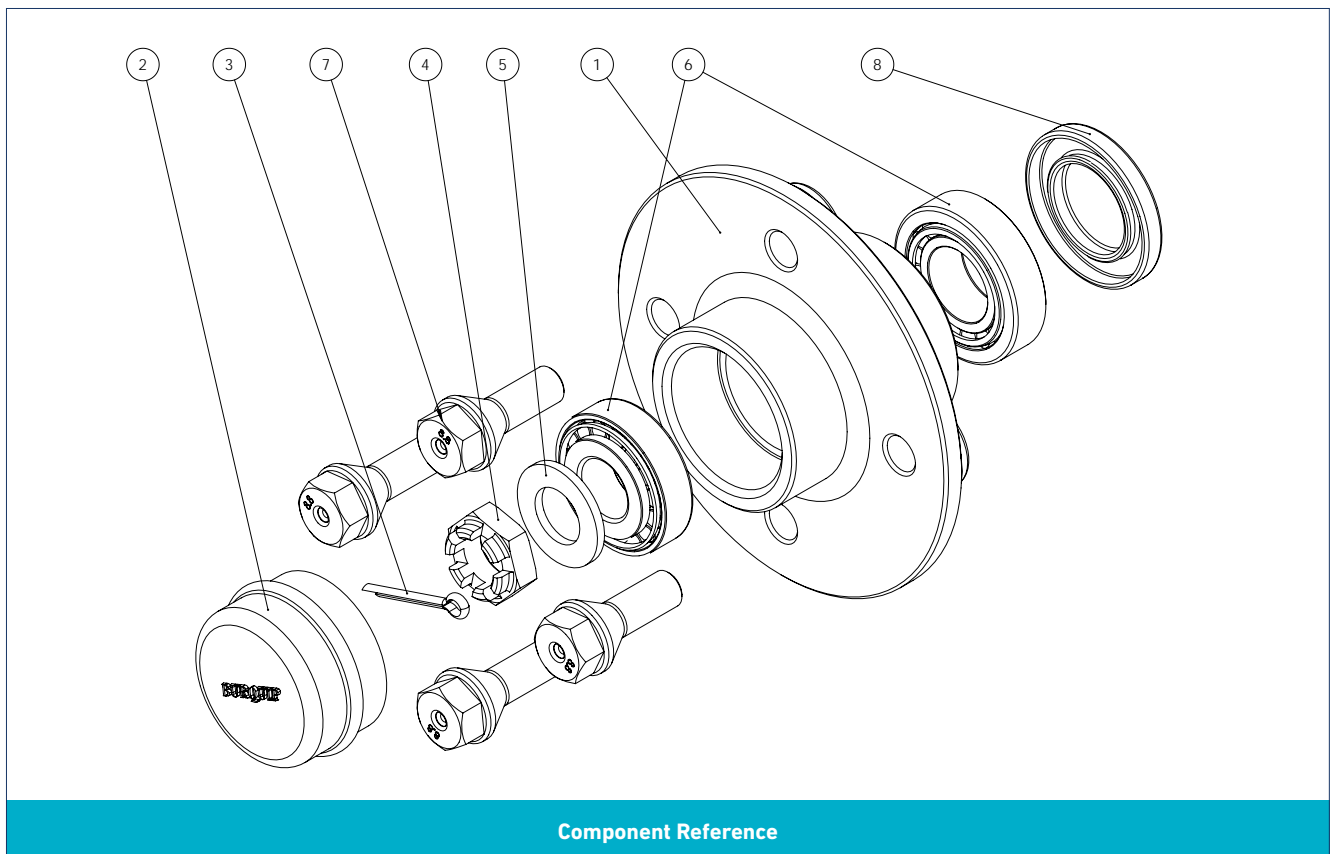


Hubs

750kg Unbraked Axles

Components

Hub (No. 1)	Grease Cap (No. 2)	Split Pin (No. 3)	Castle Nut (No. 4)	Spacer (No. 5)	Bearings (No. 6)	Wheel Bolt (No. 7)	Oil Seal (No. 8)
HUB0450.01C	GCAP47.1	M3.2X36SP	M18CN	M20BSFW	B30204 & B30205	M12WB24	OS30-52-7



Component Reference

Prices are exclusive of VAT and subject to change without prior notice. (E & OE Notice - pg105)



Hubs

750kg Unbraked Axles

Stock Code	Description	Price Each
HUB0450.01C	Complete Hub 4/100 pcd only, hub excludes spindle	R595.00
GCAP47.1	Grease Cap 47mm	R23.00
M3.2x36SP	M3,2mm Split Pin	R1.00
M18CN	M18 Castle Nut M18x1,5	R21.00
M20BSFW	Spacer 19mmx34mmx3mm	R4.00
B30204	Bearing 30204	R 75.00
B30205	Bearing 30205	R 80.00
M12WB24	M12 Wheel Bolt 1,5mm	R10.00
OS30-52-7	Oil Seal 30x52x7	R 15.00

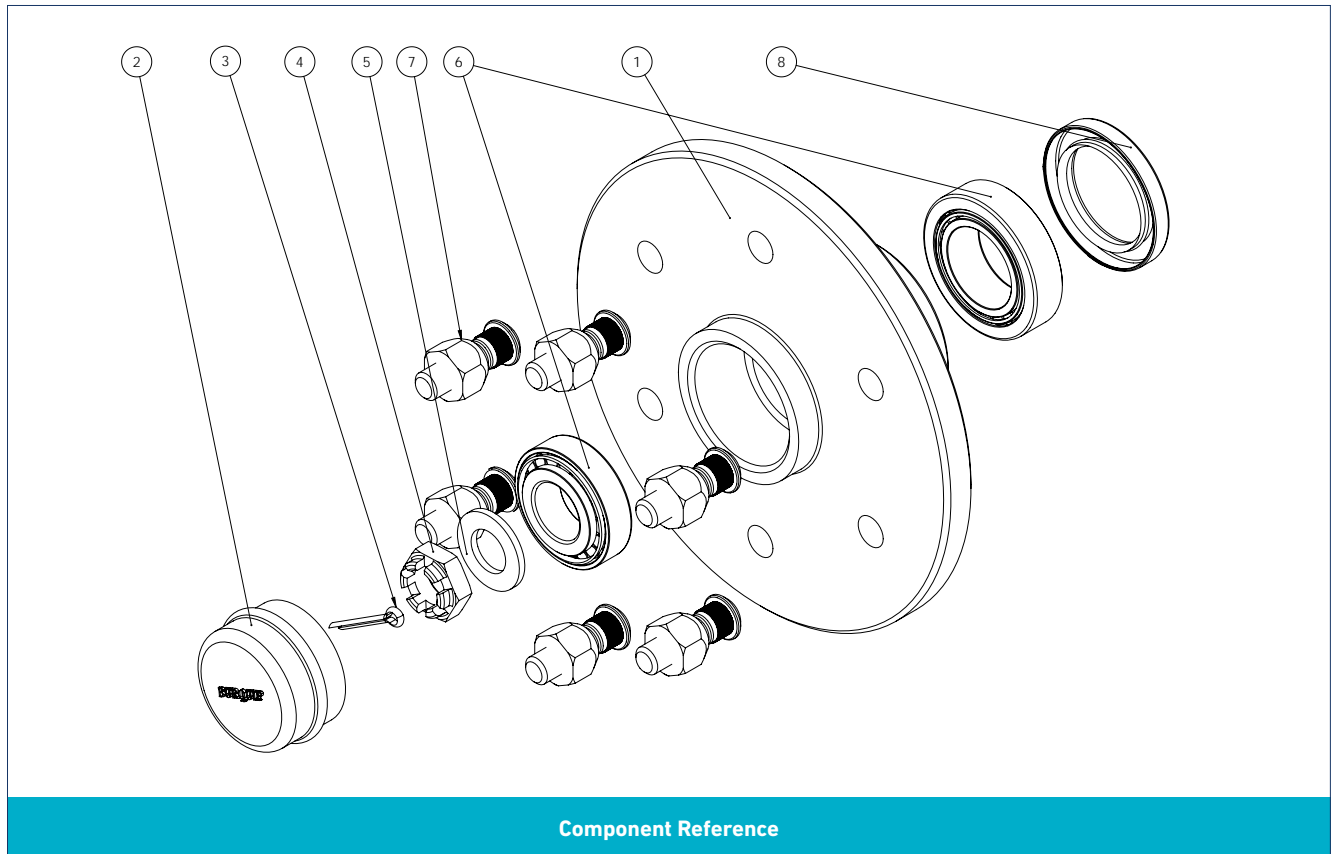


Hubs

1600kg Unbraked Axles

Components

Hub (No. 1)	Grease Cap (No. 2)	Split Pin (No. 3)	Castle Nut (No. 4)	Spacer (No. 5)	Bearings (No. 6)	Wheel Bolt (No. 7)	Oil Seal (No. 8)
HUB0800B.01C	GCAP52.1	M3.2X36SP	M18CN	M20BSFW	B30205 & B32007	M12WB24	OS42-62-7
HUB0800B.02C	GCAP52.1	M3.2X36SP	M18CN	M20BSFW	B30205 & B32007	M12WB24	OS42-62-7
HUB0800B.03C	GCAP52.1	M3.2X36SP	M18CN	M20BSFW	B30205 & B32007	M16WN & M16WS	OS42-62-7
HUB0800B.04C	GCAP52.1	M3.2X36SP	M18CN	M20BSFW	B30205 & B32007	M12WB24	OS42-62-7
HUB0800B.04SC	GCAP52.1	M3.2X36SP	M18CN	M20BSFW	B30205 & B32007	M12WS & M12WN	OS42-62-7
HUB0800B.07C	GCAP52.1	M3.0ARC	M18CN	M20BSFW	B30205 & B32007	M14WSR & M14WN	OS42-62-7



Component Reference

Prices are exclusive of VAT and subject to change without prior notice. (E & OE Notice - pg105)



Hubs

1600kg Unbraked Axles

Stock Code	Description	Price Each
HUB0800B.01C	Complete Hub 4/100 pcd only, hub excludes spindle	R1,050.00
HUB0800B.02C	Complete Hub 5/114.3 pcd only, hub excludes spindle	R1,050.00
HUB0800B.03C	Complete Hub 5/165 pcd only, hub excludes spindle	R1,050.00
HUB0800B.04C	Complete Hub 6/139.7 pcd only, hub excludes spindle	R1,050.00
HUB0800B.04SC	Complete Hub 6/139.7 pcd only, hub excludes spindle	R1,050.00
HUB0800B.07C	Complete Hub 5/150 pcd only, hub excludes spindle	R1,080.00
GCAP52.1	Grease Cap 47mm	R27.00
M3.2x36SP	M3,2mm Split Pin	R1.00
M3.0ARC	R Clip 3.0mm	R1.00
M18CN	M18 Castle Nut M18x1,5	R21.00
M20BSFW	Spacer 19mmx34mmx3mm	R4.00
B30205	Bearing 30205	R 80.00
B32007	Bearing 32007	R 105.00
M12WB24	M12 Wheel Bolt 1,5mm	R10.00
M12WS	M12 Wheel Studs 1,5mm	R8.00
M12WN	M12 Wheel Nuts 1,5mm	R7.00
M14WSR	M14 Wheel Studs 1,5mm	R23.00
M14WN	M14 Wheel Nuts 1,5mm	R24.00
M16WN	M16 Nuts 1,5mm	R15.00
M16WS	M16 Wheel Studs 1,5mm	R27.00
OS42-62-7	Oil Seal 42x62x7	R 16.00

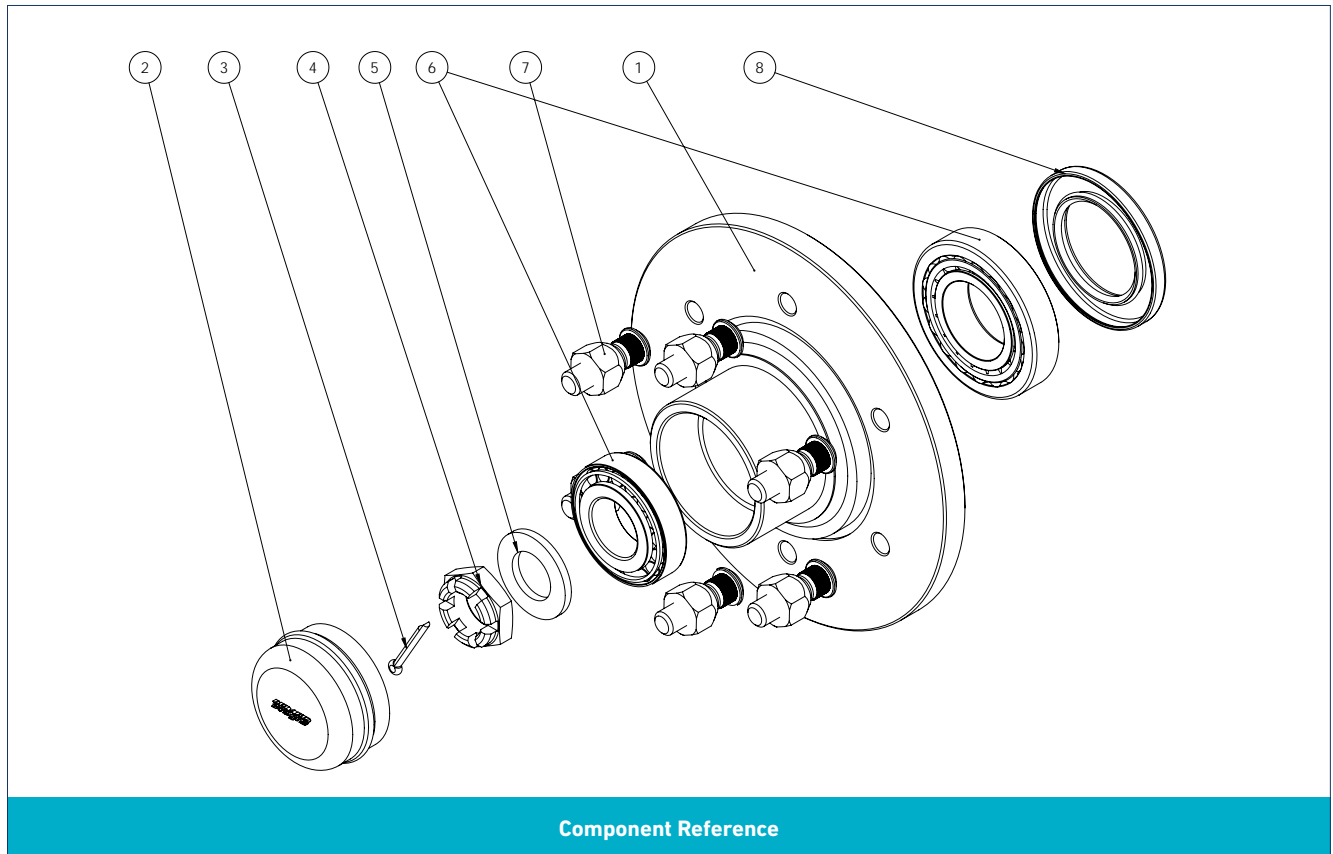


Hubs

2500kg Unbraked Axles

Components

Hub (No. 1)	Grease Cap (No. 2)	Split Pin (No. 3)	Castle Nut (No. 4)	Spacer (No. 5)	Bearings (No. 6)	Wheel Bolt (No. 7)	Oil Seal (No. 8)
HUB1250.02C	GCAP62.1	M4X40SP	M24CN	M24BSFW	B30206 & B30208	M12WB24	OS48-80-10
HUB1250.03C	GCAP62.1	M4X40SP	M24CN	M24BSFW	B30206 & B30208	M16WN & M16WS	OS48-80-10
HUB1250.04C	GCAP62.1	M4X40SP	M24CN	M24BSFW	B30206 & B30208	M12WB24	OS48-80-10
HUB1250.04SC	GCAP62.1	M4X40SP	M24CN	M24BSFW	B30206 & B30208	M12WS & M12WN	OS48-80-10
HUB1250.07C	GCAP62.1	M4X40SP	M24CN	M24BSFW	B30206 & B30208	M14WSR & M14WN	OS48-80-10



Prices are exclusive of VAT and subject to change without prior notice. (E & OE Notice - pg105)






Hubs

2500kg Unbraked Axles



Stock Code	Description	Price Each
HUB1250.02C	Complete Hub 5/114.3 pcd, 2500kg unbraked axles	R1,220.00
HUB1250.03C	Complete Hub 5/165 pcd, 2500kg unbraked axles	R1,220.00
HUB1250.04C	Complete Hub 6.139.7 pcd, 2500kg unbraked axles	R1,220.00
HUB1250.04SC	Complete Hub 6/139.7 pcd, 2500kg unbraked axles	R1,220.00
HUB1250.07C	Complete Hub 5/150 pcd, 2500kg unbraked axles	R1,380.00
GCAP62.1	Grease Cap 62mm	R29.00
M4x40SP	Split Pin M4	R1.00
M24CN	M24 Castle Nut M24x1,5	R37.00
M24BSFW	Spacer 25mmx44mmx4mm	R7.00
B30206	Bearing 30206	R 85.00
B30208	Bearing 30208	R 165.00
M12WB24	M12 Wheel Bolt 1,5mm	R10.00
M12WS	M12 Wheel Studs 1,5mm	R8.00
M12WN	M12 Wheel Nuts 1,5mm	R7.00
M14WSR	M14 Wheel Studs 1,5mm	R23.00
M14WN	M14 Wheel Nuts 1,5mm	R24.00
M16WN	M16 Nuts 1,5mm	R15.00
M16WS	M16 Wheel Studs 1,5mm	R27.00
OS48-80-10	Oil Seal 48x80x10	R39.00



Electrical Cable

Image	Stock Code	Description	Price
	EC5C	Cable 5 Core 0.75mm Sold in 5m increments	R135/5m
	EC7C	Cable 7 Core 0.75mm Sold in 5m increments	R180/5m
	Q-EJB001	Electrical Junction Box	R 135.00

Light Boxes

Image	Stock Code	Description	Price
	LB01P	Light Box 2 Lens 110	R77.00
	LB03P	Light Box 1 Lens 110	R48.00

Prices are exclusive of VAT and subject to change without prior notice. (E & OE Notice - pg105)











Lights

Image	Stock Code	Description	Price
	EL08	Kombi light 100X95X50mm	R 45.00
	ELKOM	Kombi light 180X95X55mm	R 85.00
	EL08LED	Kombi light LED 100X100X40mm	R 225.00
	ELEDC2	Kombi light LED 110 round	R240.00
	EL02AS EL02A	Lamp 110 Semi Sealed - Amber Lamp Sealed, with gasket - Amber (SABS Approved)	R 45.00 R 80.00
	EL02RS EL02R	Lamp 110 Semi Sealed - Red Lamp Sealed, with gasket - Red (SABS Approved)	R 45.00 R 80.00
	EL02ALED19	Lamp LED 110 - Amber - Gasket included	R 370.00
	EL02RLED19	Lamp LED 110 - Red - Gasket included	R370.00

Prices are exclusive of VAT and subject to change without prior notice. (E & OE Notice - pg105)



Lights

Image	Stock Code	Description	Price
	EL-DF-TRL003	Tail Light LED 105.5x97.8x36.4mm	R 150.00
	EL-DF-TRL019L	45° Side Marker Light LED 150.2X141.5X56.9mm	R 200.00
	EL-DF-TRL019R	45° Side Marker Light LED 150.2X141.5X56.9mm	R 200.00
	EL-DF-TRL020	Marker Light LED Red / White 116.8x41.7x38.1mm	R 95.00
	EL-DF-TRL95A	Tail Light LED Round 95 Diameter	R 215.00
	EL-DSF-TRL030AL	Tail Light LED - Left 164.7x79.8x35.4mm 12V - 24V	R 215.00
	EL-DSF-TRL030AR	Tail Light LED - Right 164.7x79.8x35.4mm 12V - 24V	R 215.00
	EL-ICL97	Wall or Ceiling Mount LED Light Single Lens 176x115x29mm 12V	R 135.00

Prices are exclusive of VAT and subject to change without prior notice. (E & OE Notice - pg101)





Lights

Image	Stock Code	Description	Price
	EL-ICL98	Wall or Ceiling Mount LED Light Double Lens 292x116x29mm 12V	R 225.00
	EL-PLL8AB	Awning Lamp Amber - LED 248x87x56mm 12V - 24V	R 215.00
	EL-PLL8CB	Awning Lamp Clear - LED 248x87x56mm 12V - 24V	R 215.00
	ELN12	Number Plate Light 67.4x38.5x35.9mm 12V - 24V	R 45.00
	ELN12LED	Number Plate Light - LED 100% Waterproof 74.6x35.5x34mm 12V - 24V	R 110.00










Plugs & Adaptors

Image	Stock Code	Description	Price
	E7PFMPC	7 Pin Female Plug - Metal	R 75.00
	E7PMPC	7 Pin Male Plug - Metal	R 70.00
	E7PMPPC	7 Pin Male Plug - Plastic	R 45.00
	E7PMPD3000-4000	7 Pin 3M Electric Coil	R 385.00
	E7-13	13 Pin to 7 Pin 12 Volt Adaptor	R 40.00
	E7PH	7 Pin Male Plug Holder	R 40.00



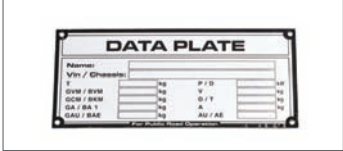


Reflective Components

Image	Stock Code	Description	Price
	EREFA EREFA40	Reflector Amber 70x35 Refelctor Amber 90x40	R7.00 R 10.00
	EREFC EREFC40	Reflector Clear 70x35 Reflector Clear 90x40	R7.00 R 10.00
	EREFR EREFR40	Reflector Red 70X30 Reflector Red 90X40	R7.00 R 10.00
	ERETR150	Reflector Red Triangle 150	R15.00
	EBQRT	Reflective Tape Sold in 5m increments	R125/5m
	EADRT	Reflective Tape - Amber Sold in 5m increments	R255.00/5m
	CV1040 CV1200 CV1200S CV1400 CV1600 CV1700 CV1700S CV1800	Chevron 1040mm Chevron 1200mm Chevron 1200mm - Stick On Chevron 1400mm Chevron 1600mm Chevron 1700mm Chevron 1700mm - Stick On Chevron 1800mm	R 295.00 R 315.00 R 235.00 R 355.00 R 365.00 R 375.00 R265.00 R 385.00



Prices are exclusive of VAT and subject to change without prior notice. (E & OE Notice - pg105)



Data Plate

Image	Stock Code	Description	Price
	DP001	Data Plate	R30.00
	Z006	Plastic single disc holder	R21.00
	Z007	Truck disc holder (Galvanised)	R52.00

Hand Winches

Image	Stock Code	Description	Price
	HW1760	Hand winch 800kg double gear	R 735.00
	HW2500	Hand winch 1135kg	R 815.00

Prices are exclusive of VAT and subject to change without prior notice. (E & OE Notice - pg105)








Tie-Downs

Image	Stock Code	Description	Length	Safe Work Load	Break Strength	Price
	HR25CB01	Smart Cam Buckle	3.05m	182Kg	545Kg	R150.00
	HR25RR01	Retractable Ratchet	3.05m	182Kg	545Kg	R380.00
	HR25RT01	Blade Ratchet	4m	227Kg	682Kg	R135.00
	HR50RT01	Ratchet & Strap	8m	1 667Kg	5 000Kg	R200.00

Prices are exclusive of VAT and subject to change without prior notice. (E & OE Notice - pg105)




Hinges, Brackets & Fittings

Image	Stock Code	Description	Price
	Z001	Toggle catch & hook	R 85.00
	Z002	Heavy duty toggle latch	R157.00
	Z003	Heavy duty stiker	R37.00
	Z004	Toggle latch and link plate	R 125.00
	Z015	Anti-Luce short with nut	R 55.00
	Z016	Anti-Luce long with nut	R 65.00
	Z017	Anti-Luce weld on	R 50.00
	Z0020	Slide on hinge	R 65.00

Prices are exclusive of VAT and subject to change without prior notice. (E & OE Notice - pg105)



Image	Stock Code	Description	Price
	Z0021	Heavy duty slide on hinge	R 315.00
	Z022	Drop side hinge	R 90.00
	Z023	Spring bolt	R 55.00
	Z027	Short Double Bracket	R 75.00
	Z028	Overcentre Thin Latch Adjustable 262mm Long	R 102.00
	Z029A	Engaging Hook for Z028 - Straight	R 15.00
	Z029B	Engaging Hook for Z028 - Bent	R 12.00
	Z030A	Fastener with Spring Catch 206mm Long	R 65.00
	Z030B	Fastener with Spring Catch 105mm Long	R 55.00

Prices are exclusive of VAT and subject to change without prior notice. (E & OE Notice - pg105)



Image	Stock Code	Description	Price
	Z031A	Catch Plate for Z030 - Straight	R 16.00
	Z031B	Catch Plate for Z030 - Kink	R 20.00
	Z031C	Catch Plate for Z030 - Short Bent	R 16.00
	Z031D	Catch Plate for Z030 - Long Bent	R 22.00
	Z032	Overcentre Wide Latch 219mm Long	R 115.00
	Z033	Catch Plate for Z032	R 30.00
	Z034	Folding Seal Ring	R 14.00

Prices are exclusive of VAT and subject to change without prior notice. (E & OE Notice - pg101)



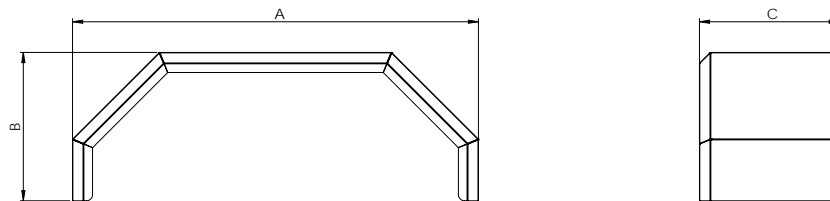
Tail Boards

Image	Stock Code	Description	Price
	ETAIL1220LED	uPVC board with LED lights 1220mm x 152mm	R 1,065.00
	ETAIL1220	uPVC board with incandescent lights 1220mm x 152mm	R700.00



Mudguards

Stock Code	Description	Wheel Size	A (mm)	B (mm)	C (mm)	Price Each
MS7.13"-1U	Un-galvanised single	10" to 13"	660	241	227	R195.00
MS7.13"-1G	Galvanised single	10" to 13"	660	241	227	R455.00
MS7.13"-2U	Un-galvanised tandem	10" to 13"	1378	241	227	R325.00
MS7.13"-2G	Galvanised tandem	10" to 13"	1378	241	227	R785.00
MS7.14"-1U	Un-galvanised single	14"	723	271	254	R240.00
MS7.14"-1G	Galvanised single	14"	723	271	254	R545.00
MS7.14"-2U	Un-galvanised tandem	14"	1503	241	254	R395.00
MS7.14"-2G	Galvanised tandem	14"	1503	241	254	R915.00
MS7.15"-1U	Un-galvanised single	15"	862	303	297	R295.00
MS7.15"-1G	Galvanised single	15"	862	303	297	R 715.00
MS7.15"-2U	Un-galvanised tandem	15"	1649	241	297	R475.00
MS7.15"-2G	Galvanised tandem	15"	1649	241	297	R1,095.00



MS7-series

Prices are exclusive of VAT and subject to change without prior notice. (E & OE Notice - pg105)



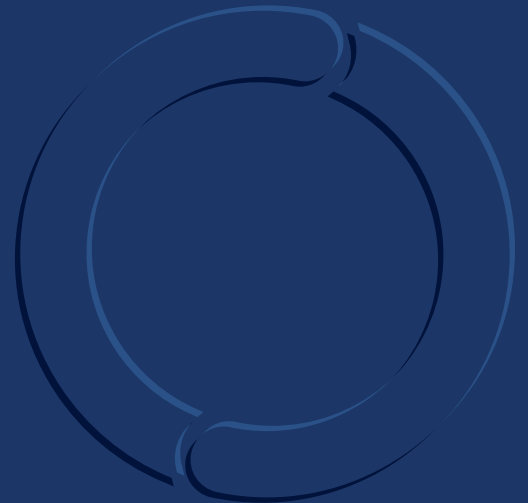
E&OE NOTICE

While we strive to provide accurate product and pricing information, unintentional pricing or typographical errors may occur. We reserve the right to correct any errors, inaccuracies or omissions and to change or update information (including, without limitation, images, information related to text, pricing, availability and product descriptions) at any time without notice.

Prices are subject to change without prior notice.

Johannesburg: 011 396 6000
Pretoria: 012 030 1800
Cape Town: 021 907 1900
Durban: 031 792 1020

information@burquip.co.za



www.burquip.co.za