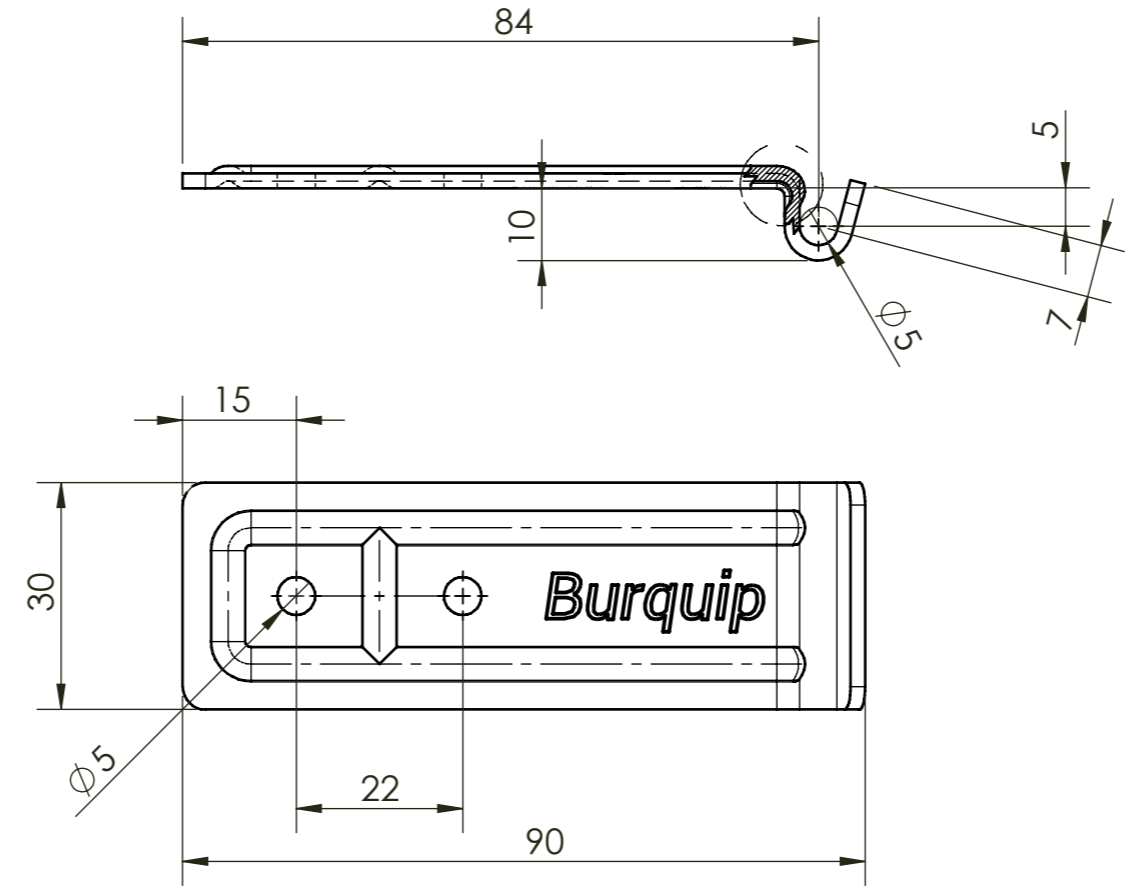


SHEET 1 OF 1


EST MASS: g      TOT SURFACE AREA:



REV	DESCRIPTION OF CHANGE	ZONE	AUTH NO.	BY	DATE
...	...			...	...
...	...			...	...
...	...			...	...
...	...			...	...

© **BURQUIP** INTERNATIONAL (Pty) Ltd

USE ISO 2768 MEDIUM FOR DIMENSIONS WITHOUT TOLERANCES  
ALL DIMENSIONS IN mm UNLESS OTHERWISE SHOWN

MATERIAL DESCRIPTION		MATERIAL SIZE	
TITLE:			
PRODUCT:			
SCALE: 1:1	SHEET: A3	DRAWING NO. <b>Z031C</b>	
DRAWN BY: INUS BOTHMA		REV <b>P1</b>	
DATE: 2023/12/12			