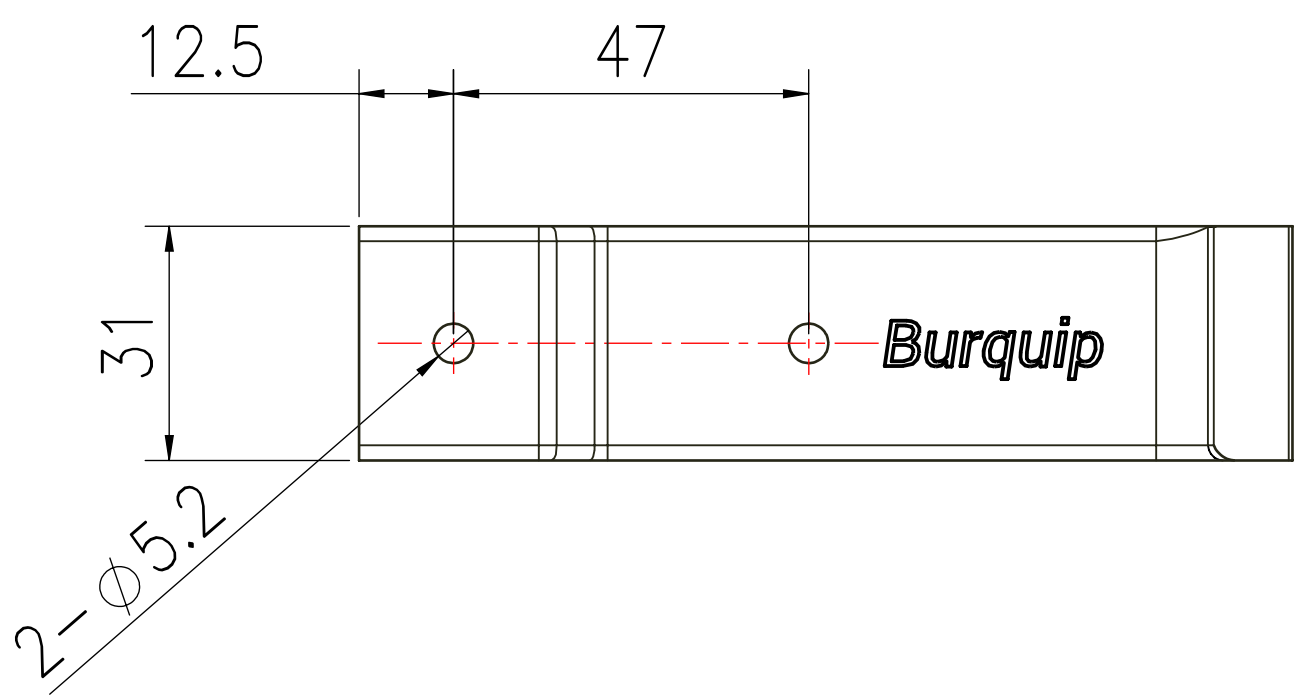
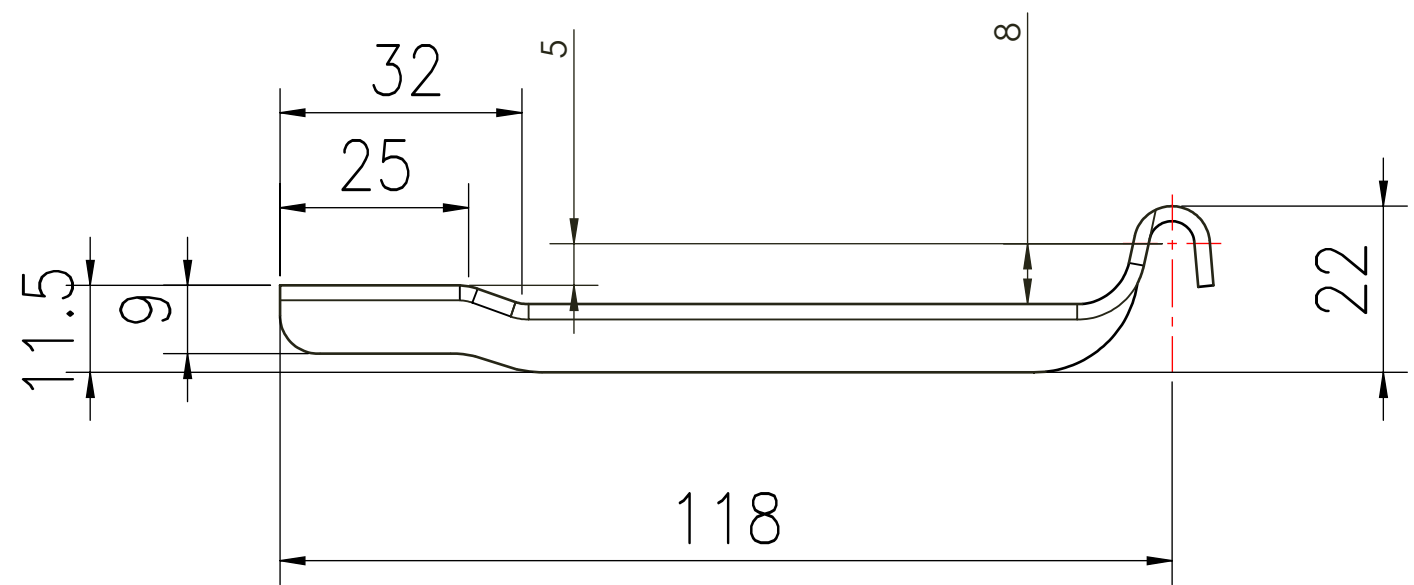


SHEET 1 OF 1



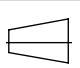
EST MASS: g TOT SURFACE AREA:



| REV | DESCRIPTION OF CHANGE | ZONE | AUTH NO. | BY | DATE |
|-----|-----------------------|------|----------|-----|------|
| ... | ... | | | ... | ... |
| ... | ... | | | ... | ... |
| ... | ... | | | ... | ... |
| ... | ... | | | ... | ... |

© **BURQUIP** INTERNATIONAL (Pty) Ltd

USE ISO 2768 MEDIUM FOR DIMENSIONS WITHOUT TOLERANCES
ALL DIMENSIONS IN mm UNLESS OTHERWISE SHOWN

| | | | |
|---|---|---|--------------------------|
| MATERIAL DESCRIPTION | | MATERIAL SIZE | |
| TITLE: | | | |
| PRODUCT: | |  | |
|  |  | SCALE: 1:1 SHEET: A3 | DRAWING NO. Z031B |
| DATE: 2023/12/12 | | REV P1 | |