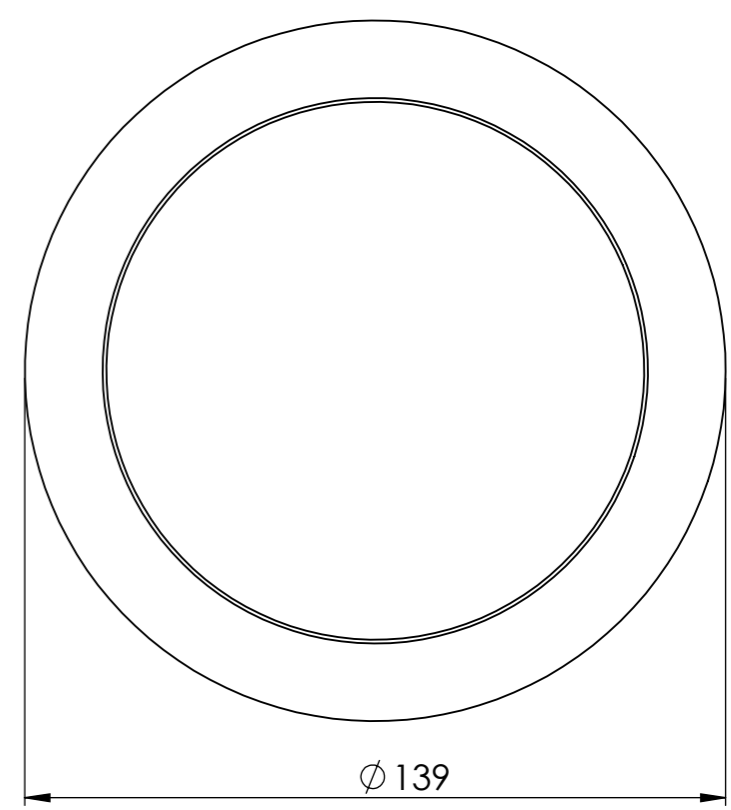
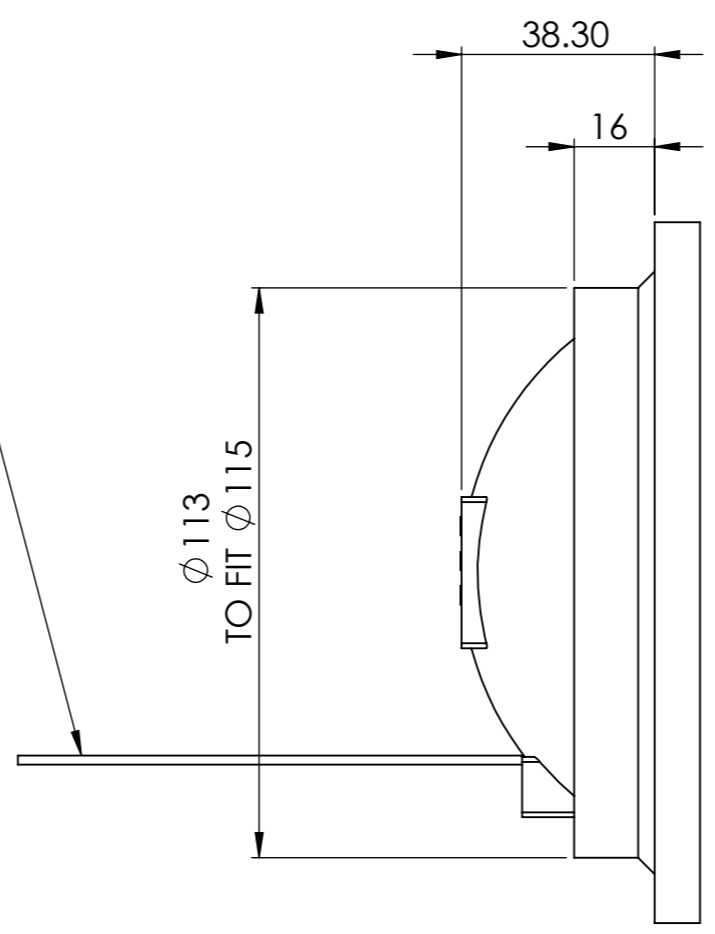
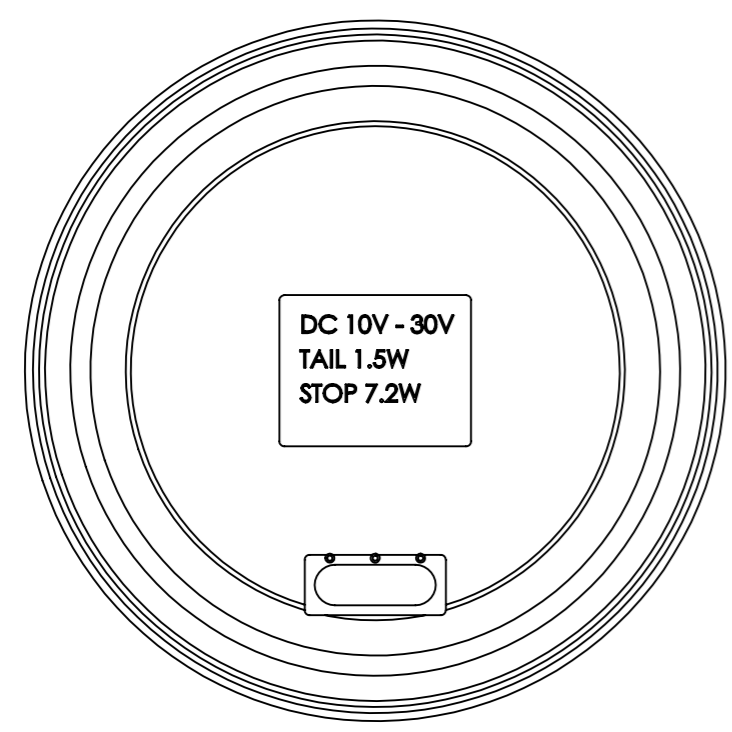


RED WIRE = BRAKE LIGHT
 BLACK WIRE = TAIL LIGHT
 WHITE WIRE = NEGATIVE

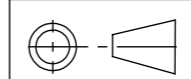


© COPYRIGHT BURQUIP INTERNATIONAL (Pty) Ltd

TITLE:
 PRODUCT:
19SQ RED LED WITH GASKET



USE ISO 2768 MEDIUM FOR DIMENSIONS WITHOUT TOLERANCES ALL DIMENSIONS IN mm UNLESS OTHERWISE SHOWN



SCALE: 1:2 SHEET: A3
 DRAWN BY: INUS BOTHMA
 DATE: 2023/12/08

DRAWING NO.
EL02RLED19

REV
P1

REV	DESCRIPTION OF CHANGE	ZONE	AUTH NO.	BY	DATE
P1	RELEASED				