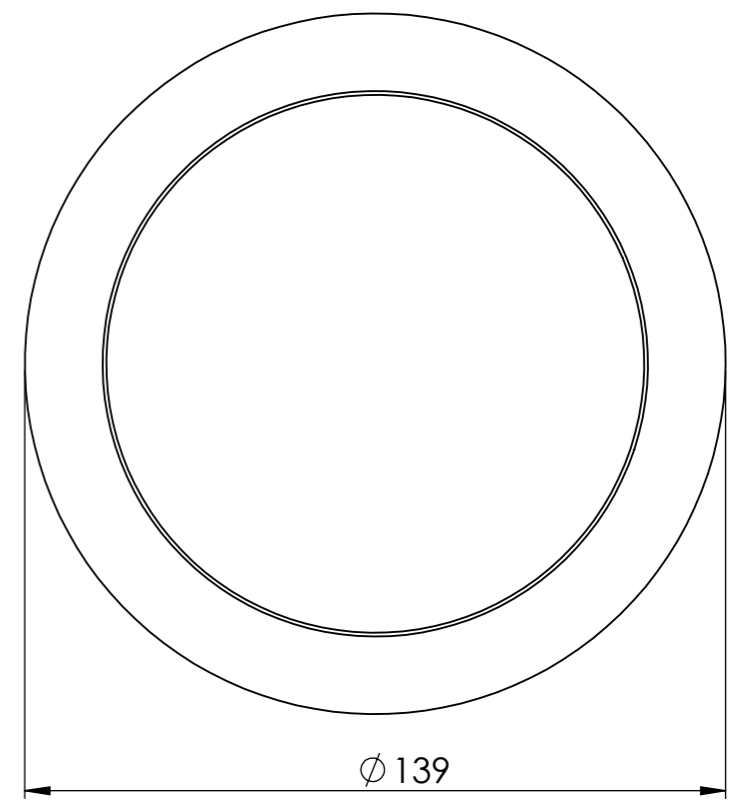
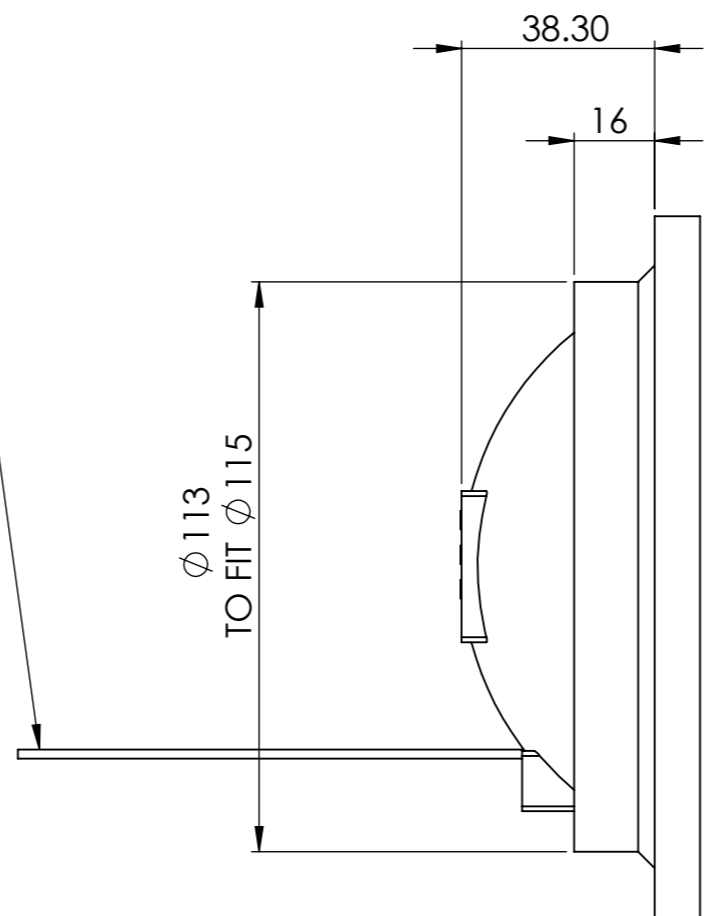
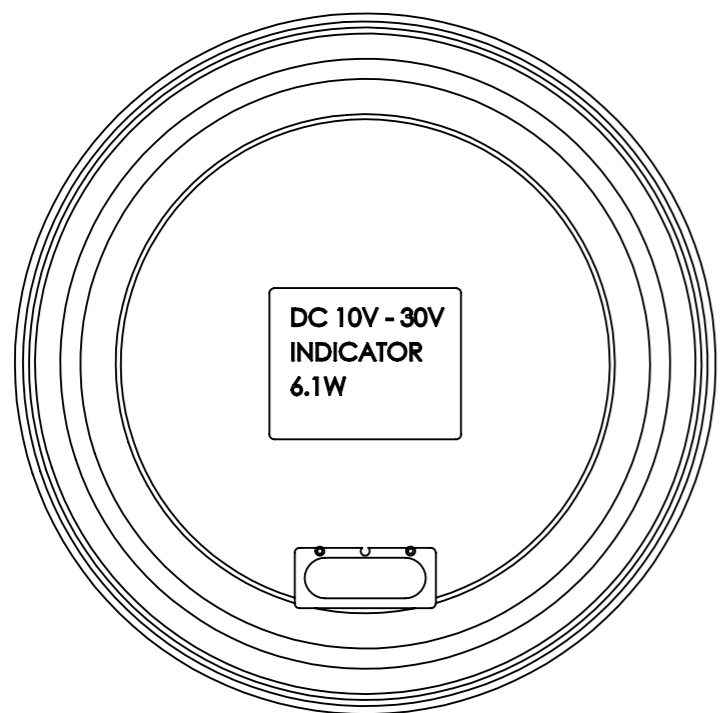


RED WIRE = INDICATOR
WHITE WIRE = NEGATIVE



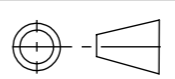
© COPYRIGHT BURQUIP INTERNATIONAL (Pty) Ltd

TITLE:



PRODUCT:
19SQ AMBER LED WITH GASKET

USE ISO 2768 MEDIUM FOR DIMENSIONS WITHOUT TOLERANCES ALL DIMENSIONS IN mm UNLESS OTHERWISE SHOWN



SCALE: 1:2 SHEET: A3
DRAWN BY: INUS BOTHMA
DATE: 2023/12/08

DRAWING NO.
EL02ALED19

REV
P1

REV	DESCRIPTION OF CHANGE	ZONE	AUTH NO.	BY	DATE
P1	RELEASED				