

1

2

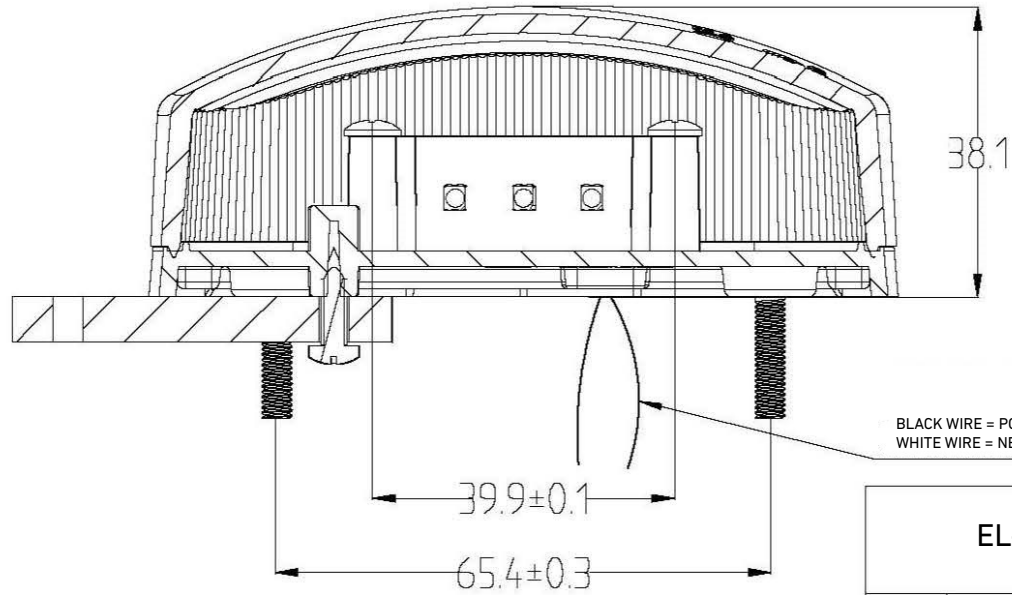
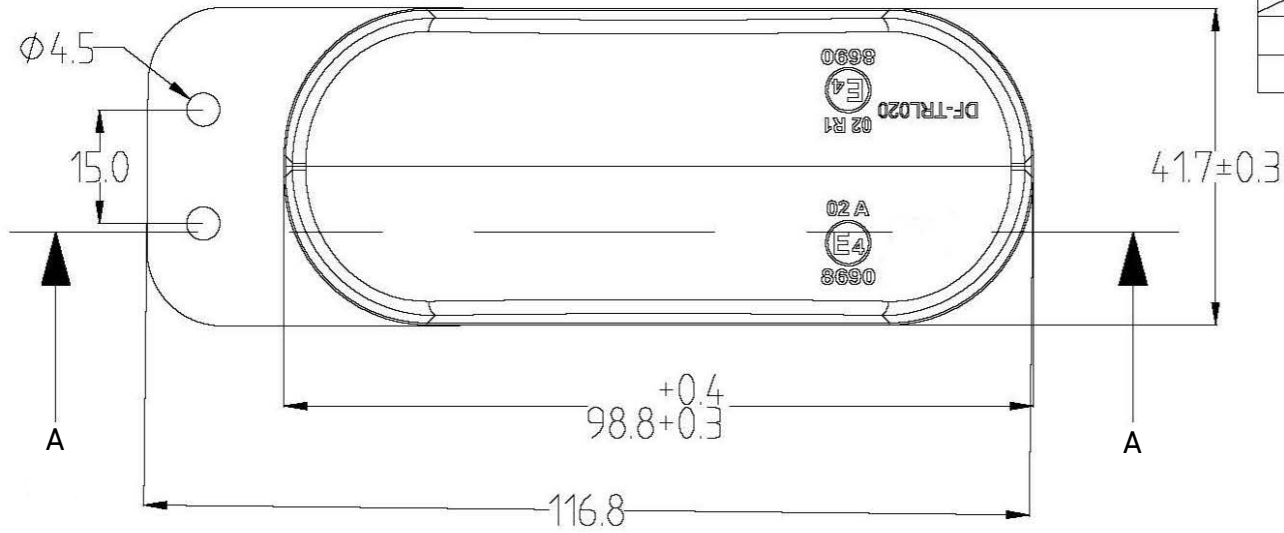
3

4

5

6

LABEL:	AXIS:	CONTENT DESCRIPTION:	VERSION AND DATE:



BLACK WIRE = POSITIVE
WHITE WIRE = NEGATIVE

SECTION A-A

EL-DF-TRL020

MATERIAL:		WEIGHT:		PHASE LABEL:	SCALE:	
DESIGN:		STANDARDIZATION:		B	1:1	
REVIEW:		APPROVE:		1 PICTURE IN TOTAL		
CRAFT:		DATE:				

1

2

3

4

5

6

D

C

B

A

D

C

B

A