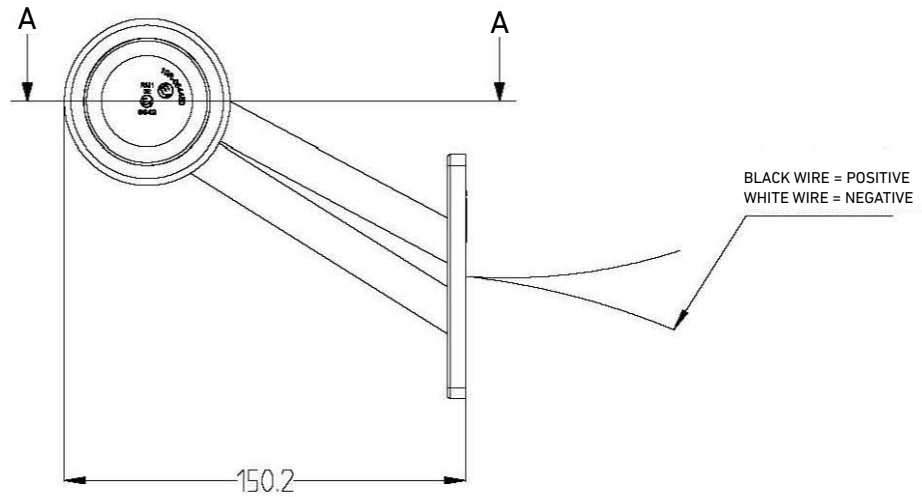
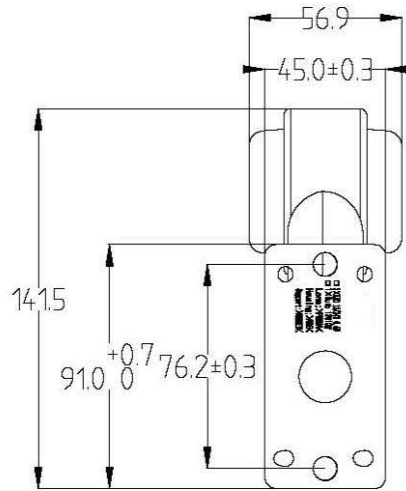
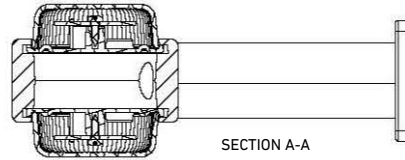


LABEL:	AXIS:	CONTENT DESCRIPTION:	VERSION AND DATE:



EL-DF-TRL019L					
MATERIAL:		WEIGHT:		STAGING:	SCALE:
DESIGN:		STANDARD-IZATION:		B	1:2
REVIEW:		APPROVE:		1 PICTURE IN TOTAL	
PROCESS:		DATE:			

A

B

C

D

E

F

1

2

3

4

5

6

7

8