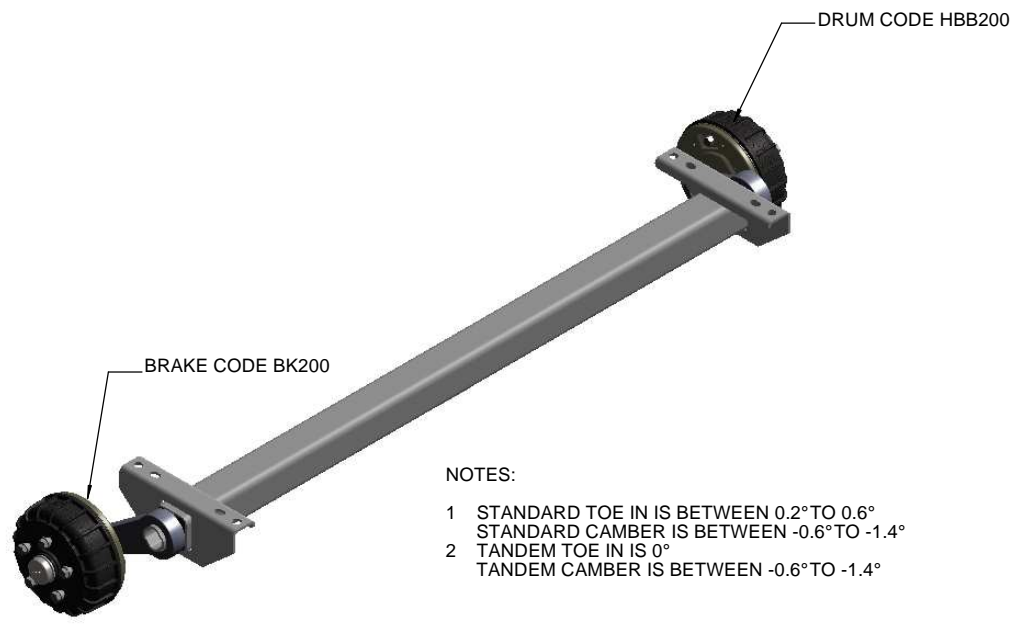
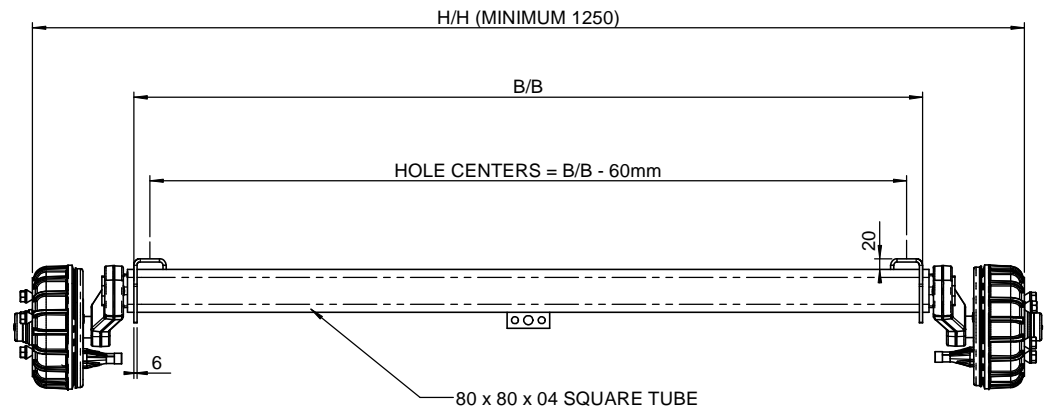


STANDARD ANGLE 25°
 OPTIONAL 45°, 15°, 0°
 -45°, -25°, -15°



NOTES:

- 1 STANDARD TOE IN IS BETWEEN 0.2° TO 0.6°
STANDARD CAMBER IS BETWEEN -0.6° TO -1.4°
- 2 TANDEM TOE IN IS 0°
TANDEM CAMBER IS BETWEEN -0.6° TO -1.4°



© COPYRIGHT BURQUIP INTERNATIONAL (Pty) Ltd

TITLE: **ARC0900/1150-1**



ASSUME A TOLERANCE OF ±1mm FOR DIMENSIONS WITHOUT TOLERANCES ALL DIMENSIONS IN mm UNLESS OTHERWISE SHOWN

PRODUCT: **ARC0900/1150-1**
 SCALE: 1:10 SHEET: A3
 DRAWN BY: B. BOOYSEN
 DATE: 26.05.2006

DRAWING NO. **ARC0900-1150-1** SHEET 1 of 1 REV **P1**

REV	DESCRIPTION OF CHANGE	ZONE	AUTH NO.	BY	DATE
P1	RELEASED				