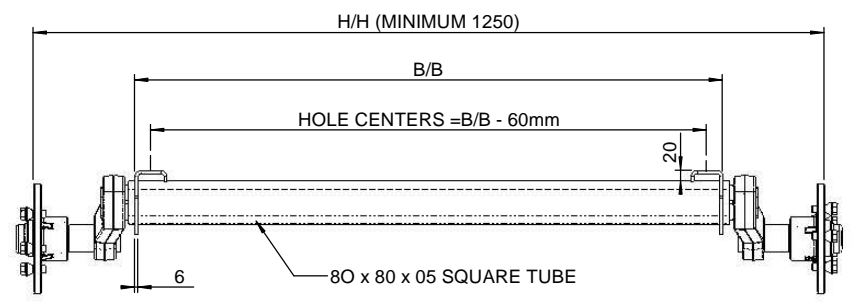


- NOTES:
- 1 STANDARD TOE IN IS BETWEEN 0.2° & 0.6°
STANDARD CAMBER IS BETWEEN -0.6 TO -1.4°
 - 2 TANDEM TOE IN IS 0°
TANDEM CAMBER IS -0.6° TO -1.4°



© COPYRIGHT BURQUIP INTERNATIONAL (Pty) Ltd			
ZONE	AUTH NO.	BY	DATE

ASSUME A TOLERANCE OF ±1mm FOR DIMENSIONS WITHOUT TOLERANCES ALL DIMENSIONS IN mm UNLESS OTHERWISE SHOWN

PRODUCT: AR1200/1600-1		DRAWING NO. AR1200-1600-1	
SCALE: 1:10	SHEET: A3	REV P2	
DRAWN BY: HILTON MILLWARD		SHEET 1 of 1	
DATE: 2007-03-01			



P2	CHANGED HUB CODE FROM HUB08000 SERIES TO HUB 0800B SERIES
P1	RELEASED
REV	DESCRIPTION OF CHANGE