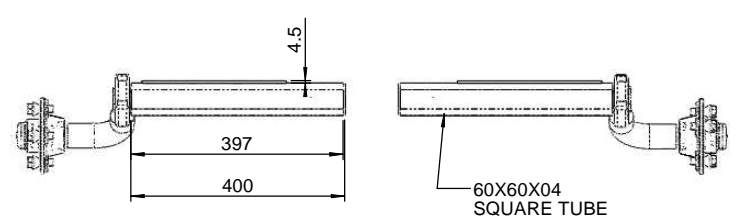
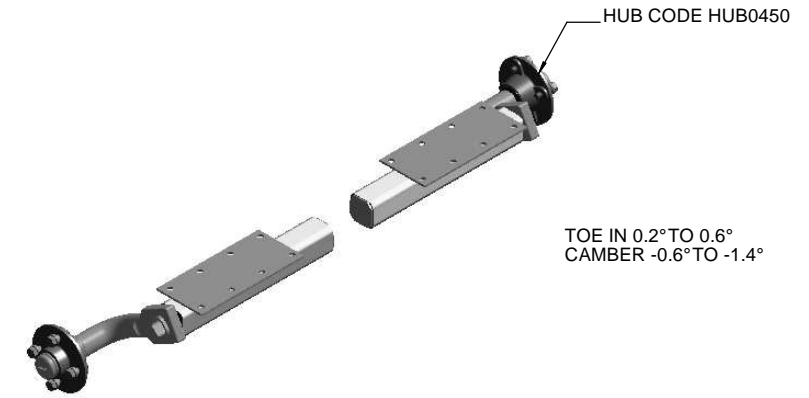


NO DROP ARM ANGLE OPTIONS AVAILABLE



© COPYRIGHT BURQUIP INTERNATIONAL (Pty) Ltd

TITLE: AR0550/0750 STUB PR



ASSUME A TOLERANCE OF ±1mm FOR DIMENSIONS WITHOUT TOLERANCES ALL DIMENSIONS IN mm UNLESS OTHERWISE SHOWN

PRODUCT: AR0550/0750 STUB PR
 SCALE: 1:10 SHEET: A3
 DRAWN BY: HILTON MILLWARD
 DATE: 2007-08-14

DRAWING NO. AR0550-0750L&R SHEET 1 of 1 REV P1

REV	DESCRIPTION OF CHANGE	ZONE	AUTH NO.	BY	DATE
P1	RELEASED				