

© COPYRIGHT BURQUIP INTERNATIONAL (Pty) Ltd

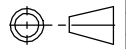
TITLE:

ASSUME A TOLERANCE OF ±1mm FOR DIMENSIONS WITHOUT TOLERANCES ALL DIMENSIONS IN mm UNLESS OTHERWISE SHOWN

PRODUCT: REFLECTOR RED TRIANGLE 150

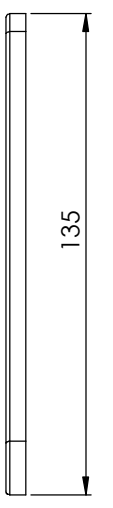
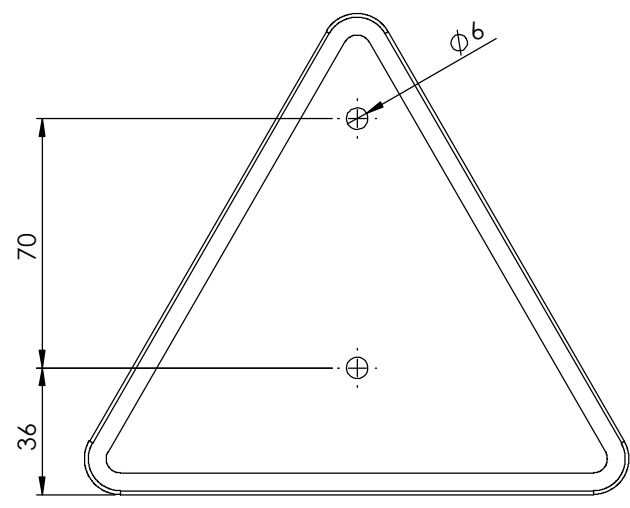
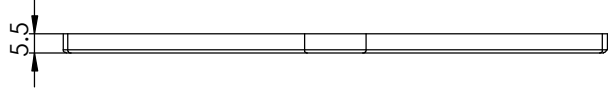
BURQUIP

REV	DESCRIPTION OF CHANGE	ZONE	AUTH NO.	BY	DATE
P1	RELEASED				



SCALE:	1:2	SHEET:	A3
DRAWN BY:	ARNOLD KABUYA		
DATE:	2018-09-10		

DRAWING NO.	ERETR150
REV	P1



© COPYRIGHT **BURQUIP** INTERNATIONAL (Pty) Ltd

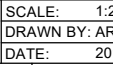
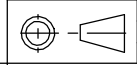
TITLE:

ASSUME A TOLERANCE OF ±1mm FOR DIMENSIONS WITHOUT TOLERANCES ALL DIMENSIONS IN mm UNLESS OTHERWISE SHOWN

PRODUCT: **REFLECTOR RED TRIANGLE 150**

BURQUIP

REV	DESCRIPTION OF CHANGE	ZONE	AUTH NO.	BY	DATE
P1	RELEASED				



SCALE: 1:2 SHEET: A3

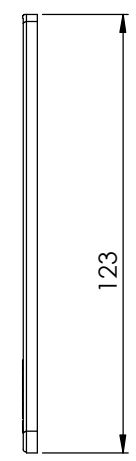
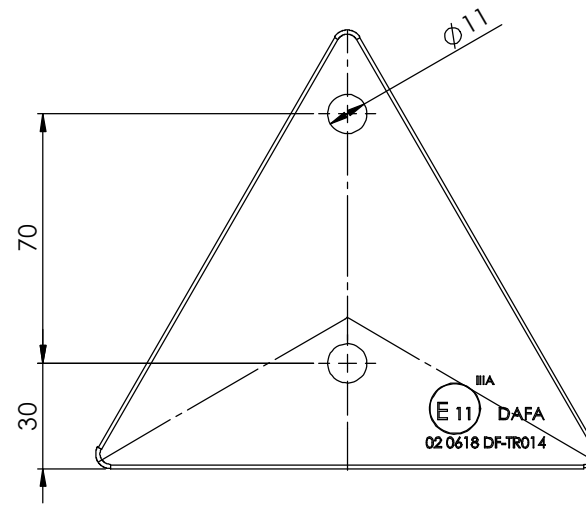
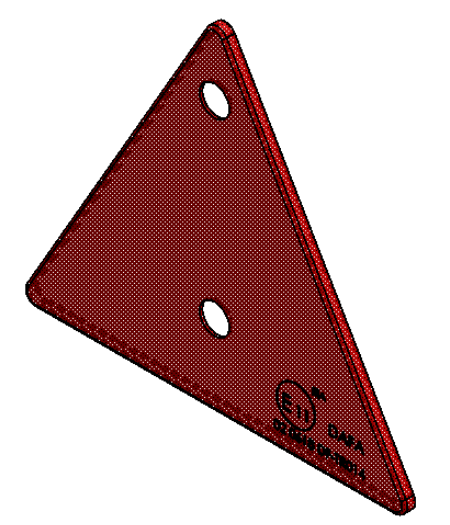
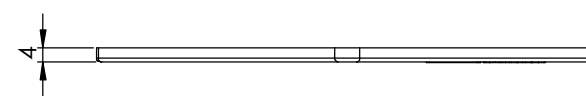
DRAWN BY: ARNOLD KABUYA

DATE: 2018-09-10

DRAWING NO. **ERETR150-P001**

REV **P1**

EST MASS: TOT SURFACE AREA:



© COPYRIGHT **BURQUIP** INTERNATIONAL (Pty) Ltd

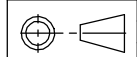
TITLE:

ASSUME A TOLERANCE OF ±1mm FOR DIMENSIONS WITHOUT TOLERANCES ALL DIMENSIONS IN mm UNLESS OTHERWISE SHOWN

PRODUCT: **REFLECTOR RED TRIANGLE 150**

BURQUIP

REV	DESCRIPTION OF CHANGE	ZONE	AUTH NO.	BY	DATE
P1	RELEASED				



SCALE:	1:2	SHEET:	A3
DRAWN BY:	ARNOLD KABUYA		
DATE:	2018-09-10		

DRAWING NO. **ERETR150-P002**

REV **P1**