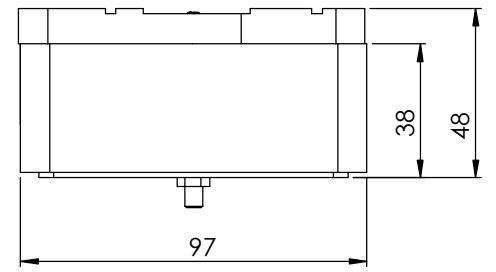
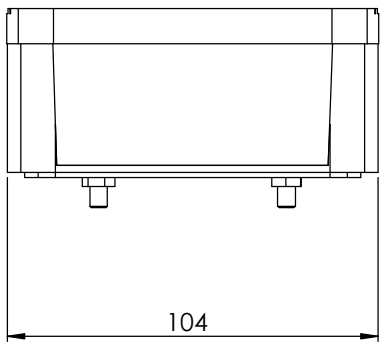
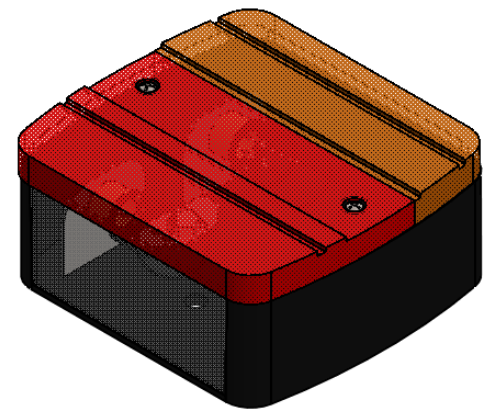
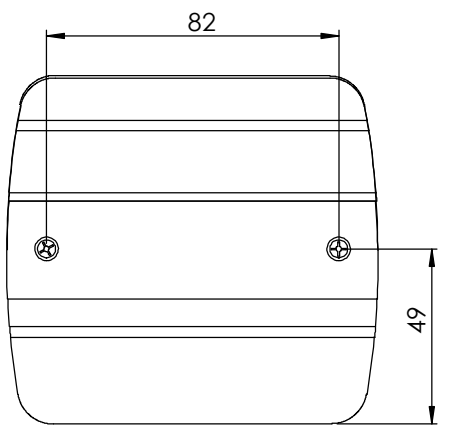


EST MASS: TOT SURFACE AREA:



© COPYRIGHT **BURQUIP** INTERNATIONAL (Pty) Ltd

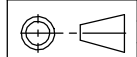
TITLE:

ASSUME A TOLERANCE OF ±1mm FOR DIMENSIONS WITHOUT TOLERANCES ALL DIMENSIONS IN mm UNLESS OTHERWISE SHOWN

PRODUCT: **KOMBI LIGHT-SMALL**

BURQUIP

REV	DESCRIPTION OF CHANGE	ZONE	AUTH NO.	BY	DATE
P1	RELEASED				



SCALE: 1:2 SHEET: A3
DRAWN BY: ARNOLD KABUYA
DATE: 2018-07-25

DRAWING NO. **EL08**

REV **P1**