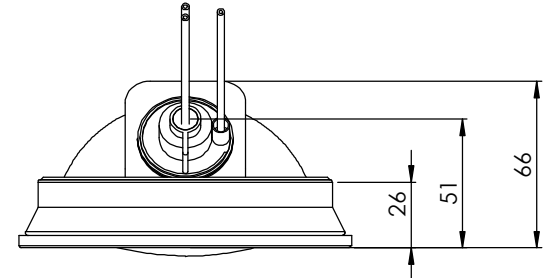
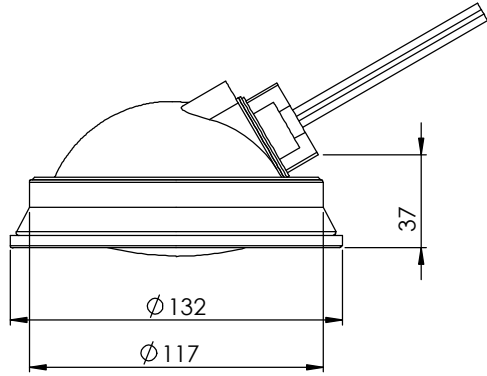
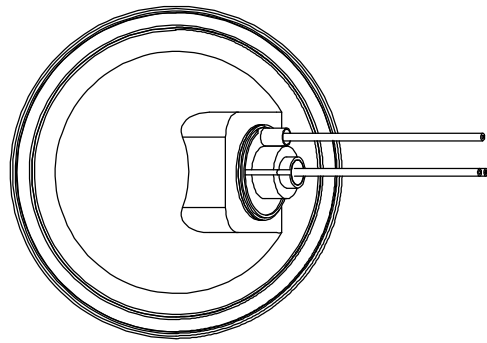


EST MASS: TOT SURFACE AREA:



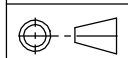
© COPYRIGHT BURQUIP INTERNATIONAL (Pty) Ltd

TITLE:

BURQUIP

ASSUME A TOLERANCE OF ±1mm FOR DIMENSIONS WITHOUT TOLERANCES ALL DIMENSIONS IN mm UNLESS OTHERWISE SHOWN

PRODUCT: **RED T/LAMP SEMI SEALED**



SCALE: 1:2 SHEET: A3
 DRAWN BY: ARNOLD KABUYA
 DATE: 2018-07-25

DRAWING NO. **EL02RS**

REV **P1**

REV	DESCRIPTION OF CHANGE	ZONE	AUTH NO.	BY	DATE
P1	RELEASED				