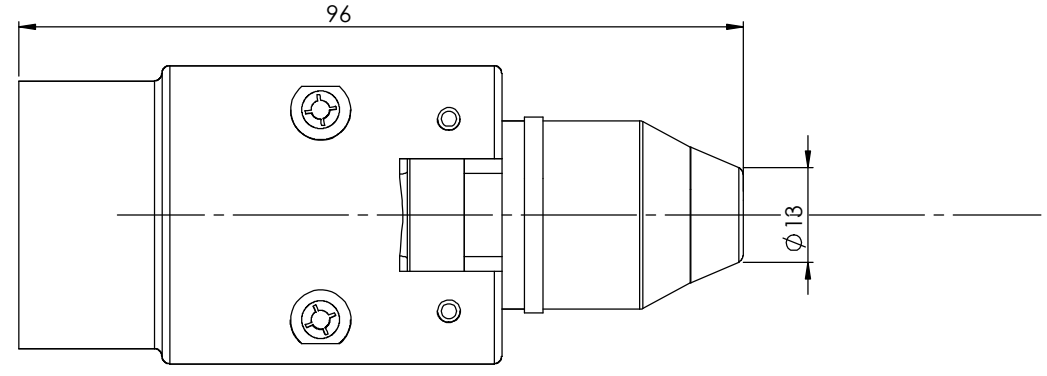
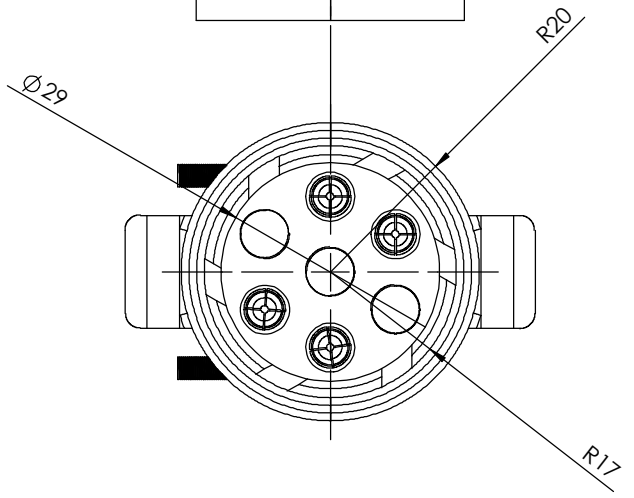
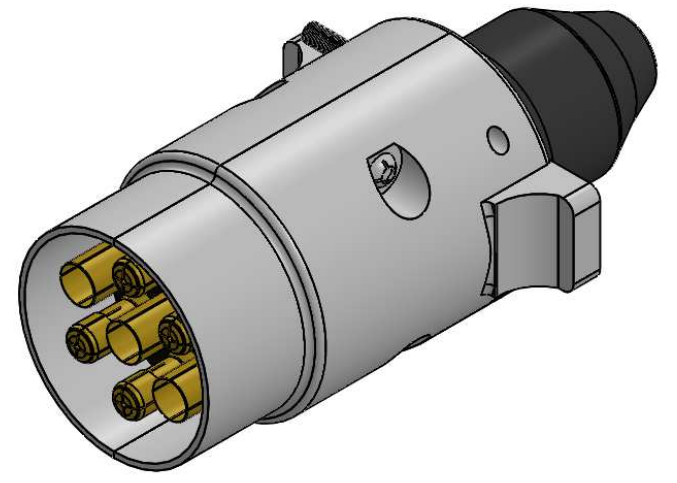
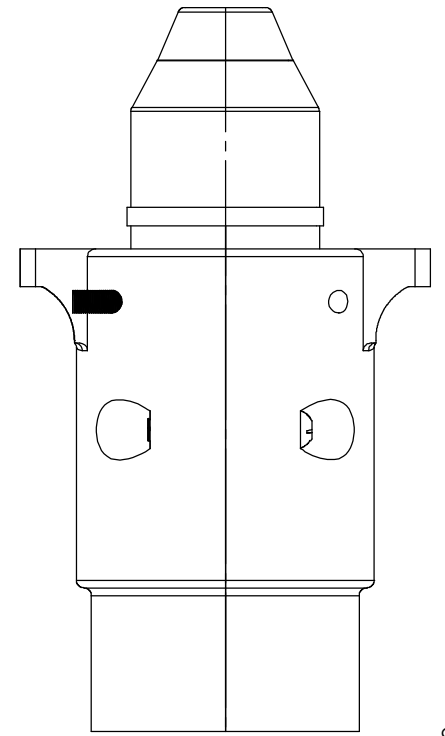


EST MASS: TOT SURFACE AREA:



© COPYRIGHT BURQUIP INTERNATIONAL (Pty) Ltd

TITLE:

**BURQUIP**

ASSUME A TOLERANCE OF ±1mm FOR DIMENSIONS WITHOUT TOLERANCES ALL DIMENSIONS IN mm UNLESS OTHERWISE SHOWN

PRODUCT: **7 PIN MALE METAL PLUG-IMPORT**

SCALE: 1:1 SHEET: A3  
 DRAWN BY: ARNOLD KABUYA  
 DATE: 2018-08-27

DRAWING NO. **E7PMPC**

REV **P1**

REV	DESCRIPTION OF CHANGE	ZONE	AUTH NO.	BY	DATE
P1	RELEASED				