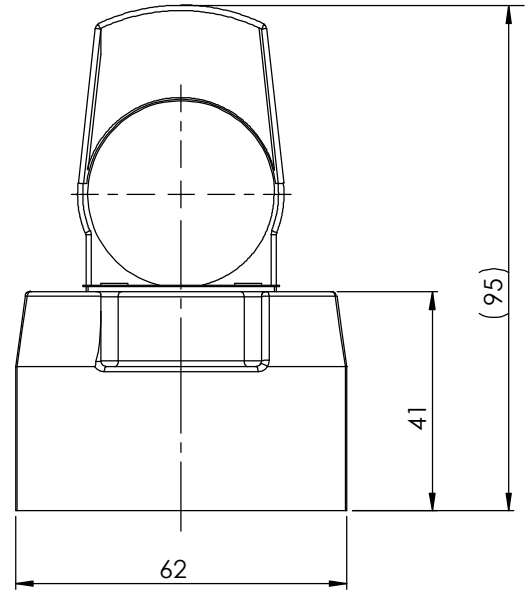
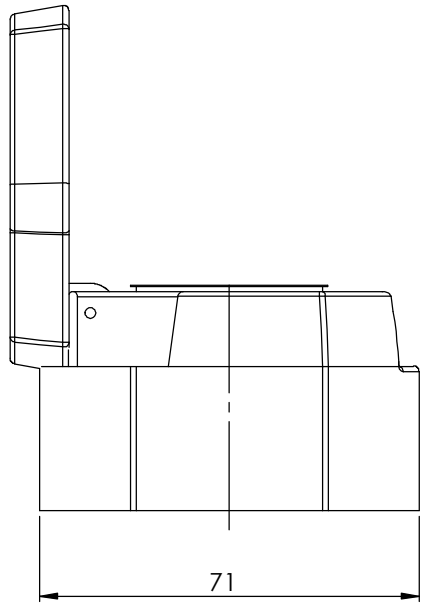
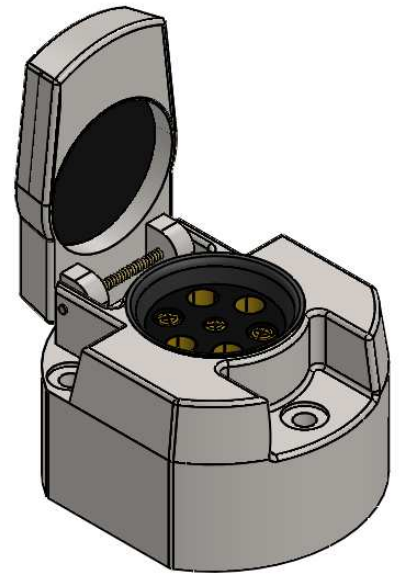
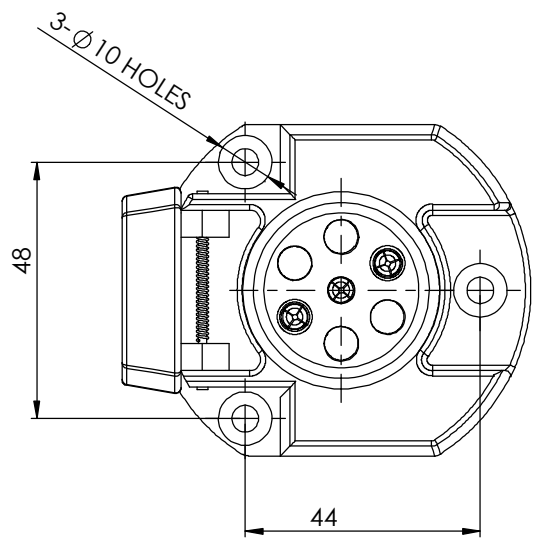


EST MASS: TOT SURFACE AREA:



© COPYRIGHT **BURQUIP** INTERNATIONAL (Pty) Ltd

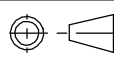
TITLE:

ASSUME A TOLERANCE OF ±1mm FOR DIMENSIONS WITHOUT TOLERANCES ALL DIMENSIONS IN mm UNLESS OTHERWISE SHOWN

PRODUCT: **7 PIN FEMALE PLUG-IMPORT**

BURQUIP

REV	DESCRIPTION OF CHANGE	ZONE	AUTH NO.	BY	DATE
P1	RELEASED				



SCALE: 1:1 SHEET: A3
 DRAWN BY: ARNOLD KABUYA
 DATE: 2018-12-12

DRAWING NO. **E7PFMPC**

REV **P1**