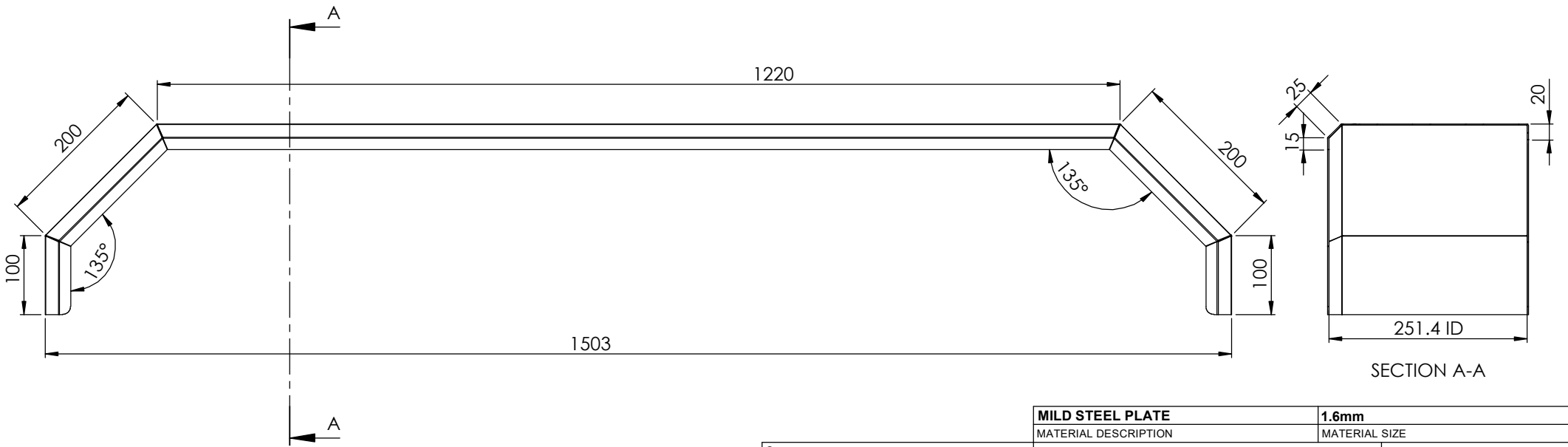
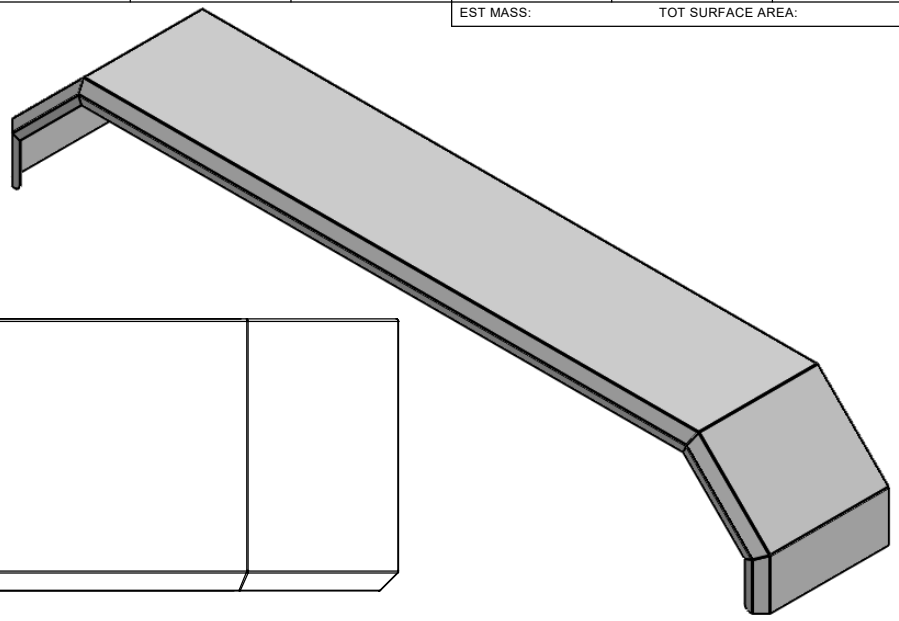
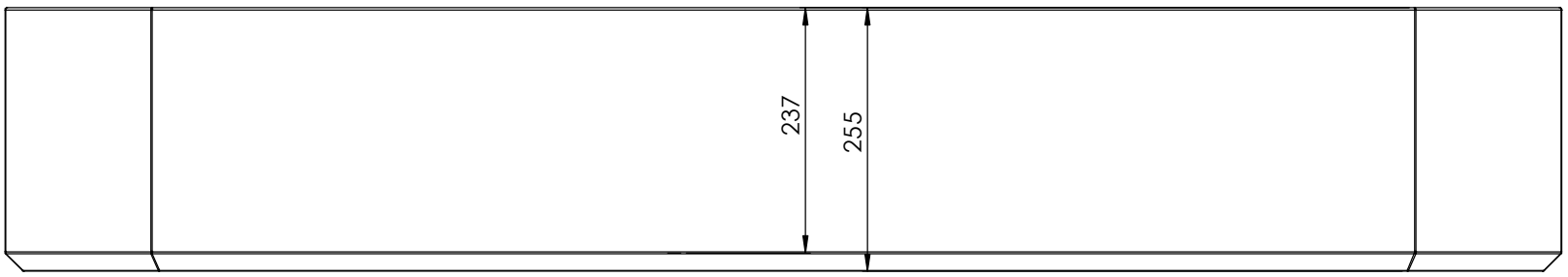


EST MASS: TOT SURFACE AREA:



MILD STEEL PLATE		1.6mm	
MATERIAL DESCRIPTION		MATERIAL SIZE	
TITLE:		BURQUIP	
PRODUCT: MUDGUARD 14" GALVANISED TANDEM			
ASSUME A TOLERANCE OF ±1mm FOR DIMENSIONS WITHOUT TOLERANCES ALL DIMENSIONS IN mm UNLESS OTHERWISE SHOWN		SCALE: 1:5 SHEET: A3	
DRAWN BY: HILTON MILLWARD DATE: 2012-08-08		DRAWING NO. MS7-14-2G	
		REV p3	

© BURQUIP INTERNATIONAL (Pty) Ltd				
...				
p3	REMOVED SHARP CORNERS		H.M.	H.M. 2019-11-20
P2	CHANGED RIP FOR BURQUIP IN HOUSE PRODUCTION		H.M.	H.M. 2019-11-08
P2	RELEASED		H.M.	H.M. 2012-08-08
REV	DESCRIPTION OF CHANGE	ZONE	AUTH NO.	BY DATE