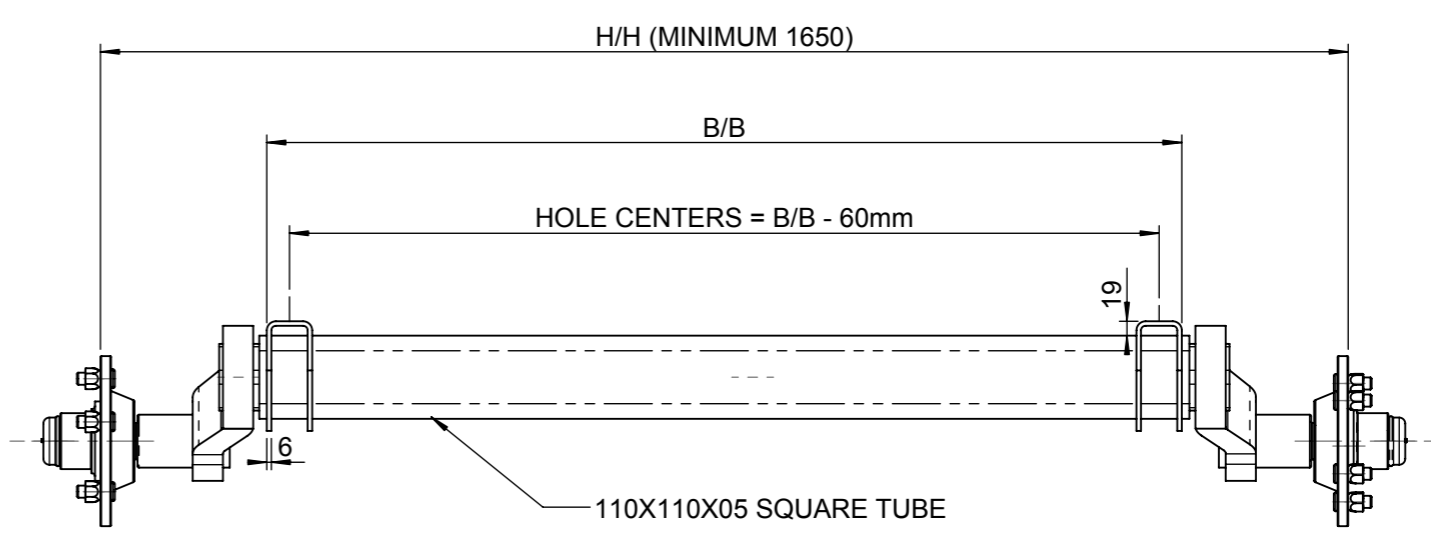


NOTES:

- 1 STANDARD TOE IN IS BETWEEN 0.2° & 0.6°
- STANDARD CAMBER IS BETWEEN -0.6° TO -1.4°
- 2 TANDEM TOE IN IS 0°
- TANDEM CAMBER IS -0.6° TO 1.4°



© COPYRIGHT BURQUIP INTERNATIONAL (Pty) Ltd					TITLE:		BURQUIP	
ASSUME A TOLERANCE OF ±1mm FOR DIMENSIONS WITHOUT TOLERANCES ALL DIMENSIONS IN mm UNLESS OTHERWISE SHOWN					PRODUCT: AR2000/2500-1			
P1 RELEASED					SCALE: 1:10 SHEET: A3		DRAWING NO. AR2000-2500-1	
REV DESCRIPTION OF CHANGE					DRAWN BY: HILTON MILLWARD		SHEET 1 of 1	
ZONE AUTH NO. BY DATE					DATE: 2007-06-28		REV P1	