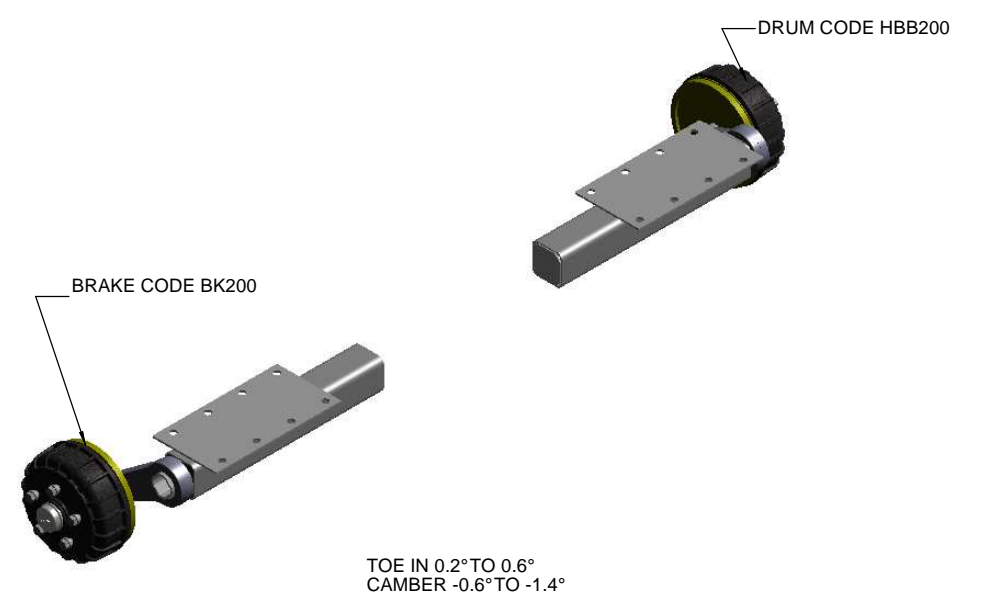
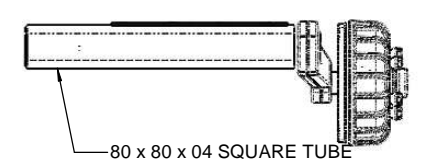
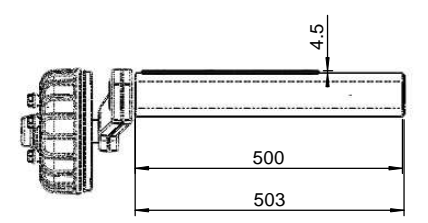


STANDARD ANGLE 25°
 OPTIONAL $45^\circ, 15^\circ, 0^\circ$
 $-45^\circ, -25^\circ, -15^\circ$



TOE IN 0.2° TO 0.6°
 CAMBER -0.6° TO -1.4°

© COPYRIGHT BURQUIP INTERNATIONAL (Pty) Ltd

ASSUME A TOLERANCE OF $\pm 1\text{mm}$ FOR DIMENSIONS WITHOUT TOLERANCES ALL DIMENSIONS IN mm UNLESS OTHERWISE SHOWN

PRODUCT: **ARC0900/1150 STUB PR**



SCALE: 1:10 SHEET: A3
 DRAWN BY: HILTON MILLWARD
 DATE: 2007-07-01

DRAWING NO. **ARC0900-1150L&R** REV **P1**

REV	DESCRIPTION OF CHANGE	ZONE	AUTH NO.	BY	DATE
P1	RELEASED				