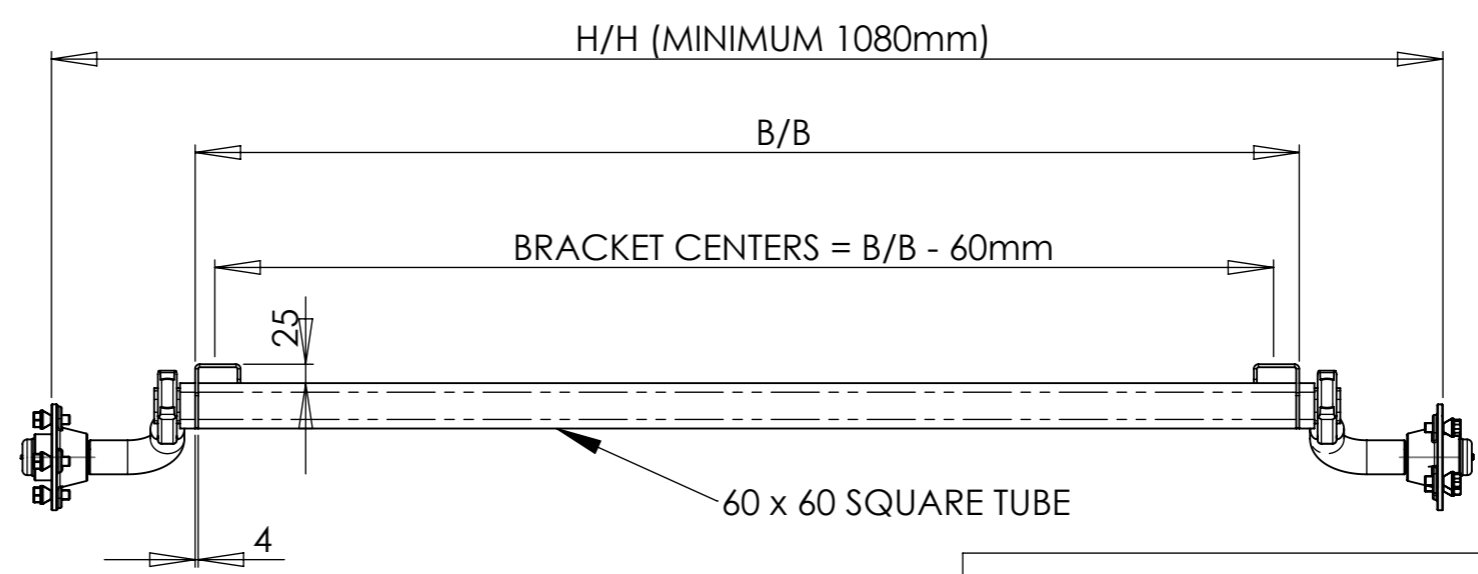


NO DROP ARM ANGLE  
OPTIONS AVAILABLE

STANDARD TOE IN IS  
BETWEEN 0.2° & 0.6°.  
STANDARD CAMBER IS  
BETWEEN -0.6° TO -1.4°  
TANDEM TOE IN IS 0°.  
TANDEM CAMBER IS  
BETWEEN -0.6° TO -1.4°



© COPYRIGHT **BURQUIP** INTERNATIONAL (Pty) Ltd

ASSUME A TOLERANCE  
OF ±1mm FOR  
DIMENSIONS WITHOUT  
TOLERANCES  
ALL DIMENSIONS  
IN mm UNLESS  
OTHERWISE SHOWN

MATERIAL DESCRIPTION		MATERIAL SIZE	
TITLE:			
PRODUCT: <b>AR0550/0750-1</b>		<b>BURQUIP</b>	
SCALE: 1:10	SHEET: A3	DRAWING NO.	REV
DRAWN BY:		<b>AR0550-0750-1</b>	<b>P1</b>
DATE: 2006-09-11		SHEET 1 of 1	

P1	RELEASED
REV	DESCRIPTION OF CHANGE

ZONE	AUTH NO.	BY	DATE
------	----------	----	------